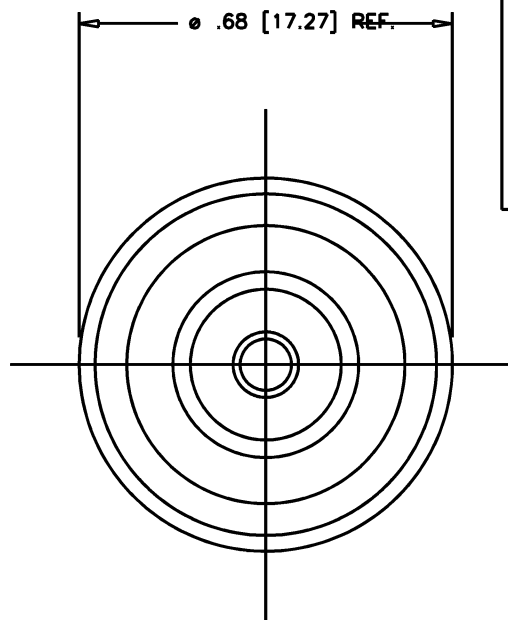
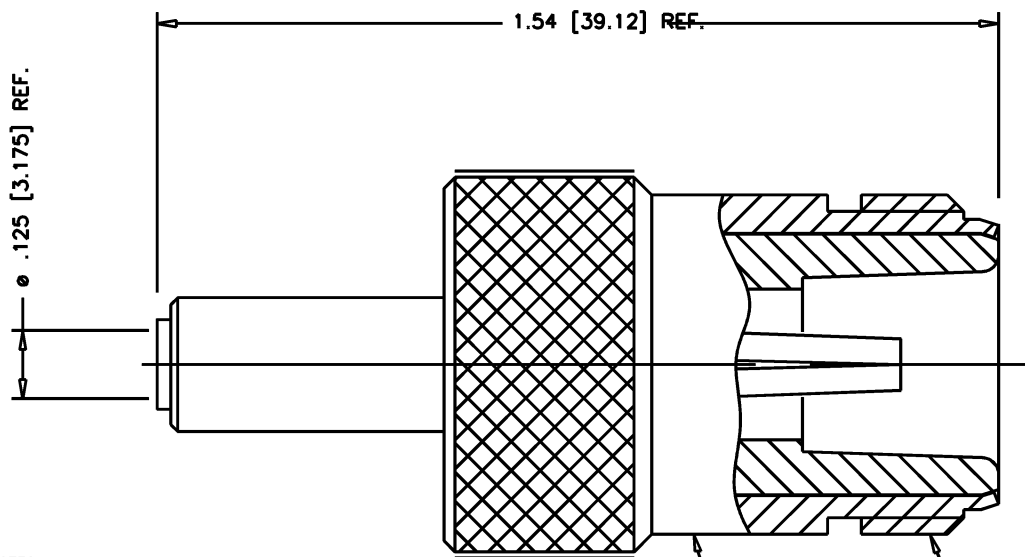


DASH NO.	M CODE	MADE FROM
----------	--------	-----------

GSD

1203-30-7



NOTES:

- FOR USE WITH BELDEN RF 100 CABLE.
- FOR CABLING INSTRUCTIONS SEE 3-799.
- FOR CRIMPING USE DIE KTH-2291 OR CD100.
- INTERFACE PER MIL-STD-348, FIG. 304-2.
- CRIMPING SLEEVE, INSERT AND CENTER CONTACT TO BE SUPPLIED UNASSEMBLED.
- MATERIALS:
INSULATOR: TEFLON ASTM-D4894.
ALL OTHER METAL PARTS: BRASS ASTM-B16.
- FINISHES:
CENTER CONTACT: GOLD PLATE ASTM-B488.
OUTER CONTACT: SILVER PLATE ASTM-B700.
ALL OTHER METAL PARTS: NICKEL (TR-5).
- ELECTRICAL CHARACTERISTICS:
NOMINAL IMPEDANCE: 50 OHMS.
WORKING VOLTAGE: 1000 VRMS.
FREQUENCY RANGE: DC TO 11 GHZ.
- DIMENSIONS IN INCHES [MM].

STAMP: BELDEN NF100
YRWK(DATE CODE)

5/8-24UNEF-2A THREAD

REVISIONS

ISSUE	CHANGES
0	ER 39958 DRK 06/07/07
1	CN 39971 A DRK 06/18/07

SCALE 4:1

APPROX SURFACE AREA

BELDEN ONLY

USED ON

REF: EQR 933

JACK, N

DRAWN	DRK	DATE	06/07/07
-------	-----	------	----------

DESIGN	DRK	DATE	06/07/07
--------	-----	------	----------

APPR.		DATE	
-------	--	------	--

A Winchester Electronics Company

1203-30-7

GSD

UNLESS OTHERWISE SPECIFIED

1. TOLERANCES: FRACTIONS & 2 PLACE DECIMALS ± .010 3 PLACE DECIMALS ± .004 ANGLES ± 1° CONCENTRICITY OF ANY 2 DIAMETERS MAY NOT EXCEED HALF THE SUM OF THEIR TOLERANCES.	2. REMOVE ALL BURRS, BREAK SHARP EDGES .005 MAX. 3. NO FILLETS PERMITTED. 4. SURFACE ROUGHNESS 63 MICRONS RMS MAX. 5. ALL DIMENSIONS PRIOR TO PLATING. 6. ALL PLATING IN ACCORDANCE WITH KER 10004.	7. ALL LEAD THREADS TO BE CHAMFERED 45° TO ROOT DIAMETER. * CRITICAL DIMENSIONS
--	---	--