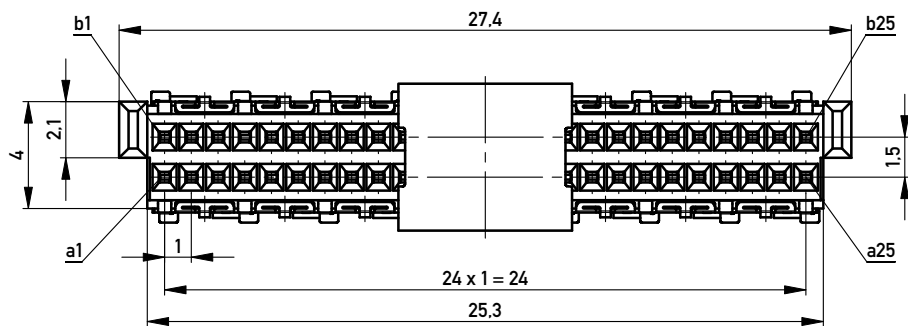
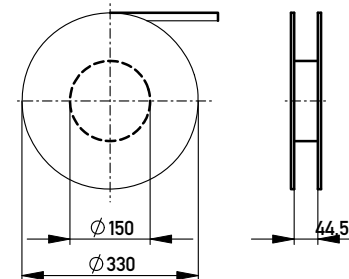
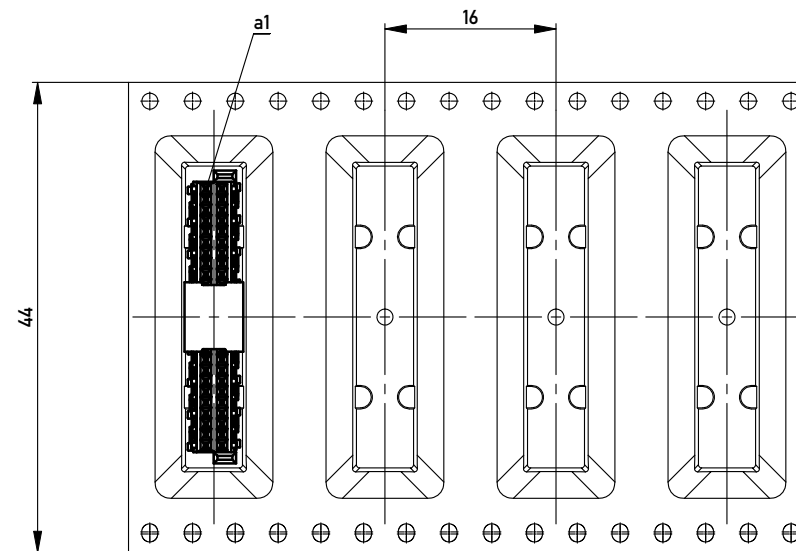


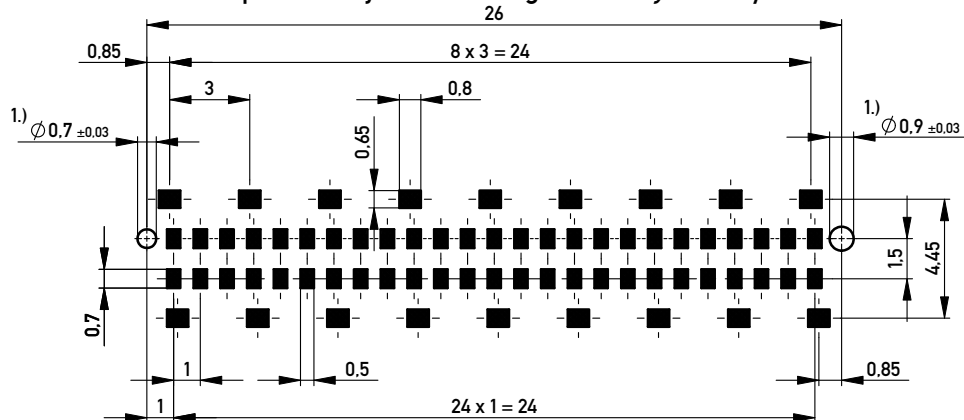
Verpackt in Gurtverpackung - *Tape on Reel Packaging*
 Verpackungseinheit: 400 Stück - *Packaging unit: 400 pcs*



Abspulrichtung - *Reel off Direction* →



Leiterplatten-Layout Vorschlag / PCB-Layout Proposal



Anforderungsstufe 1
Performance Level 1

Kontaktbereich vergoldet
Mating Area gold plating

Anschlussbereich verzinkt 4-6µm
Terminal Area 4-6µm tin plating

Koplanarität der Anschlüsse ≤ 0.1mm
Coplanarity Area of Termination ≤ 0.1mm

1.) Durchmesser des Bohrers / *Drill tool*

Information:		Tolerances	Scale	5:1
All rights reserved. Only for Information. To ensure that this is the latest version of this drawing, please contact one of the ERNI companies before using.		All Dimensions in mm	Designation	
			F04 MSpeed BlindMate 50 SMD	
Subject to modification without prior notice. Drawing will not be updated.		www.ERNI.com	254876	
b	01.09.2010		I	
Index	Date	A3		
Class			MSPEED	

Copyright by ERNI GmbH. Proprietary notice pursuant to ISO 16106 to be observed.