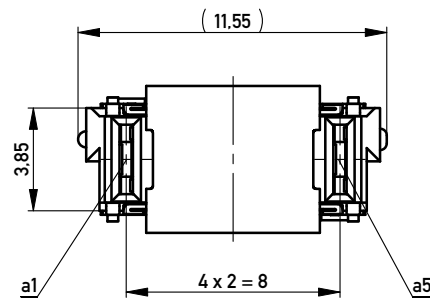
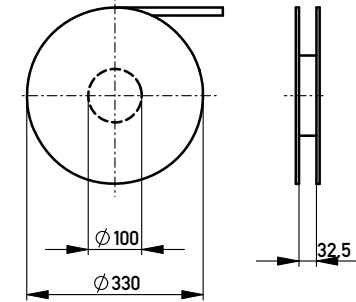
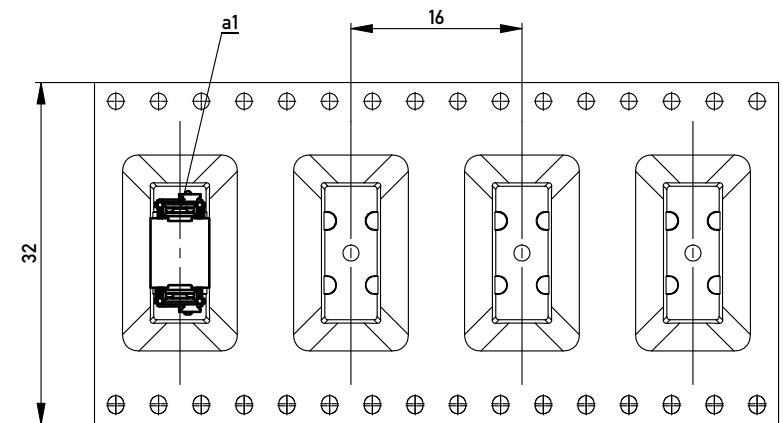


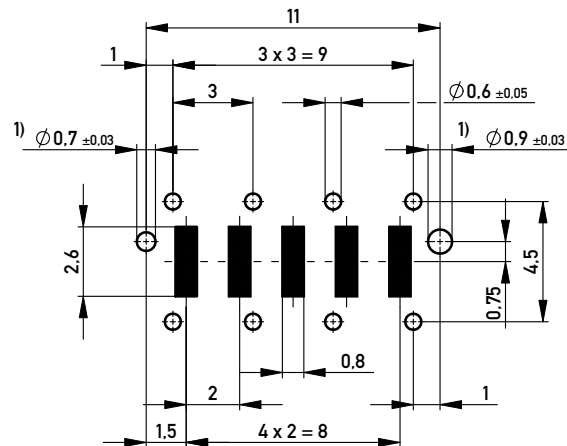
Verpackt in Gurtverpackung - Tape on Reel Packaging  
 Verpackungseinheit: 420 Stück - Packaging unit: 420 pcs



Abspulrichtung - Reel off Direction →



Leiterplatten-Layout Vorschlag / PCB-layout proposal



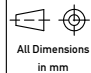

Anforderungsstufe 1  
 Performance Level 1

Kontaktbereich vergoldet  
 Mating Area gold plating

Anschlussbereich verzinkt 4-6µm  
 Terminal Area 4-6µm tin plating

Koplanarität der Anschlüsse ≤ 0.1mm  
 Coplanarity Area of Termination ≤ 0.1mm

1) Durchmesser des Bohrers / Drill tool

Information:  All rights reserved. Only for Information. To ensure that this is the latest version of this drawing, please contact one of the ERNI companies before using.	Tolerances  All Dimensions in mm	Scale 5:1	
		Designation <b>Federleiste THR, Powerm. 4mm</b> <b>Female Con. THR, Powerm. 4mm</b>	
f Index	12.10.2010 Date	 www.ERNI.com	<b>214912</b> I <b>A3</b>
		Class	MSPEED

Copyright by ERNI GmbH  
 Proprietary notice pursuant to ISO 16106 to be observed.