

(Shielding removed for clarity)

## DP1203 – C868 / C915

### 868 and 915MHz Drop-In RF Transceiver Modules

### Small Form Factor and Direct Digital Interface Modules

#### GENERAL DESCRIPTION

The DP1203 is a 30mm x 18mm shielded radio transceiver module available for use in either the 868-870MHz or the 902-928MHz ISM bands. The module is suitable for circuit applications which have to satisfy either European (ETSI EN300-220-1, EN301-489-3) or the North American (FCC part 15.247, 15.249) regulatory standards.

Virtually no RF knowledge is required to use this RF module. Wireless communication can be obtained with just the addition of a suitable antenna and a microcontroller. The DP1203 fulfils a wide range of application requirements, ranging from basic point-to-point communication to more complex multipoint process control functions.

The module is suitable for surface mount reflow assembly.

Semtech provides basic firmware routines for controlling the module and typical applications.

#### APPLICATIONS

- Home automation and access control
- Process and building control
- Cable replacement

#### KEY PRODUCT FEATURES

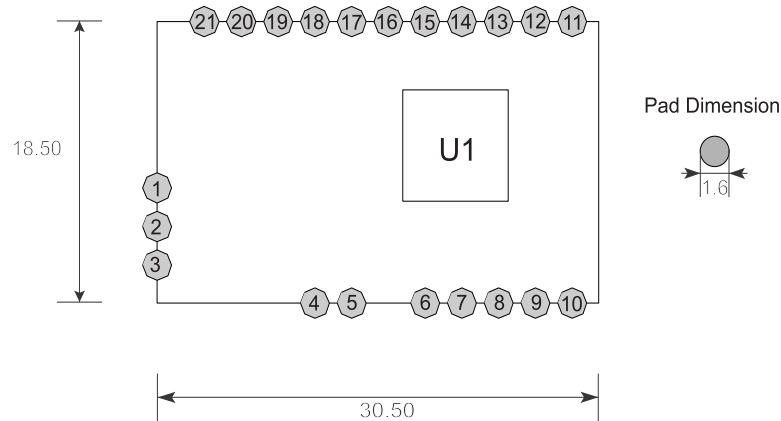
- Instant RF – solder and use!
- No RF knowledge required
- Small size 30mm x 18mm
- Direct Digital Interface
- Supply voltage 2.4V – 3.6V
- Minimum frequency synthesizer step size of 500Hz
- Maximum output power of +11dBm
- Receiver sensitivity of -111dBm
- Very high data rate up to 153.2kbps
- Current consumption Tx = 62mA @ 11dBm
- Current consumption Rx=14mA

#### DEVICE OPTIONS

Part Number	Description	Packing Method	Pin-package
DP1203C868	868-870MHz	Tape&Reel	Board
DP1203C915	902-928MHz	Tape&Reel	Board

## Table of Contents

<b>1</b>	<b>Pin Description .....</b>	<b>3</b>
<b>2</b>	<b>Electrical Characteristics .....</b>	<b>4</b>
2.1	Absolute maximum operating ranges.....	4
2.2	Specifications .....	5
<b>3</b>	<b>Functional Description .....</b>	<b>6</b>
<b>4</b>	<b>Serial Control Interface.....</b>	<b>7</b>
<b>5</b>	<b>Operating Modes .....</b>	<b>8</b>
5.1	Standard sequence for switching between receiver and transmitter .....	9
<b>6</b>	<b>Typical Application .....</b>	<b>10</b>
<b>7</b>	<b>Mechanical Dimension.....</b>	<b>11</b>
<b>8</b>	<b>Packaging Information.....</b>	<b>12</b>



PIN	NAME	I/O	DESCRIPTION
1	GND	IN	Ground
2	RF	IN/OUT	RF input / output terminal
3	GND	IN	Ground
4	VDDP		VDD for power amplifier
5	VDDA		VDD for analog blocks
6	GND		Ground
7	VDD		Supply voltage
8	/EN	IN	3-wire interface communication enable signal
9	SWITCH	IN/OUT	Receiver or transmitter mode selection
10	GND	IN	Ground
11	GND	IN	Ground
12	SO	OUT	3-wire serial data interface: Data Out
13	SI	IN	3-wire serial data interface: Data In
14	SCK	IN	3-wire serial data interface: Data Clock
15	CLKOUT	OUT	Programmable reference clock output
16	DCLK	OUT	Receiver data clock
17	DATA	IN/OUT	Transmitter data input or receiver data output
18	DATAIN	IN	Transmitter data input
19	PATTERN	OUT	Receiver pattern recognition output
20	RX	IN	Antenna switch RX Select
21	TX	IN	Antenna switch TX select

**1.1 ABSOLUTE MAXIMUM OPERATING RANGES**

<b>Description</b>	<b>Min</b>	<b>Max</b>	<b>Unit</b>
Supply voltage	2.4	3.6	V
Operating temperature	-40	+85	°C
Storage temperature	-55	125	°C
Soldering temperature (max 15 sec)		260	°C



**CAUTION: ESD sensitive device.**  
Precaution should be taken when handling the device in order to prevent permanent damage

**Life Support Policy and Use in Safety Critical Applications**

SEMTECH PRODUCTS ARE NOT DESIGNED, INTENDED, AUTHORIZED OR WARRANTED TO BE SUITABLE FOR USE IN LIFE-SUPPORT APPLICATIONS, DEVICES OR SYSTEMS OR OTHER CRITICAL APPLICATIONS. INCLUSION OF SEMTECH PRODUCTS IN SUCH APPLICATIONS IS UNDERSTOOD TO BE UNDERTAKEN SOLELY AT THE CUSTOMER'S OWN RISK.

**1.2 SPECIFICATIONS**

Tamb = 25°C; VDD = 3.3V, Frequency Deviation,  $\Delta_f$  = 55 kHz, Bit-Rate, DR = 4.8kbps pseudo-random bit sequence unless otherwise specified.

Symbol	Parameter	Conditions	Min	Typ	Max	Units
f <sub>SYNTH</sub>	Synthesizer Frequency Range	DP1203C868	868	-	870	MHz
		DP1203C915	902	-	928	MHz

IDD <sub>SL</sub>	Sleep mode supply current			0.2	1	uA
IDD <sub>ST</sub>	Standby mode supply current	39 MHz running		0.85	1.1	mA
IDD <sub>RX</sub>	RX mode supply current			14	17	mA
IDD <sub>TX</sub>	TX mode supply current	P <sub>RF</sub> = 5 dBm		33	45	mA
		P <sub>RF</sub> = 11dBm		62	75	mA

RFS	RF Sensitivity	DR = 4.8 kbps / BER = 0.1%		-111	-108	dBm
-----	----------------	----------------------------	--	------	------	-----

$\Delta_f$	Frequency Deviation	Programmable	1	-	255	kHz
DR	Bit rate	Programmable	1.2	-	152.3	Kb/s
P <sub>RF</sub>	RF output power	Programmable.				
		P <sub>RFMAX</sub>	8	11	-	dBm

t <sub>TX</sub>	Transmitter wake-up time	From oscillator enabled	-	200	250	us
t <sub>RX</sub>	Receiver baseband wake up time	From oscillator enabled	-	1.5	1.8	ms
t <sub>XTAL</sub>	Quartz oscillator wake up time		-	-	1	ms

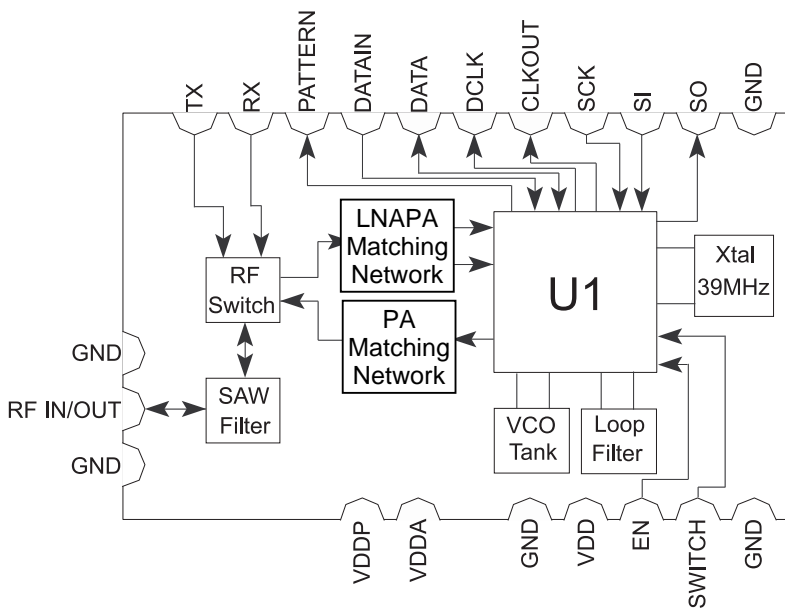
f <sub>XTAL</sub>	Quartz oscillator frequency	Fundamental mode osc.		39		MHz
-------------------	-----------------------------	-----------------------	--	----	--	-----

V <sub>IH</sub>	Digital input level high	% VDD	75	-	-	%
V <sub>IL</sub>	Digital input level low	% VDD	-	-	25	%
V <sub>OH</sub>	Digital output level high	% VDD	75	-	-	%
V <sub>OL</sub>	Digital output level low	% VDD	-	-	25	%

The DP1203 is a cost effective high performance radio transceiver module designed for the wireless transmission of digital information over distances of >500 meters in free space.

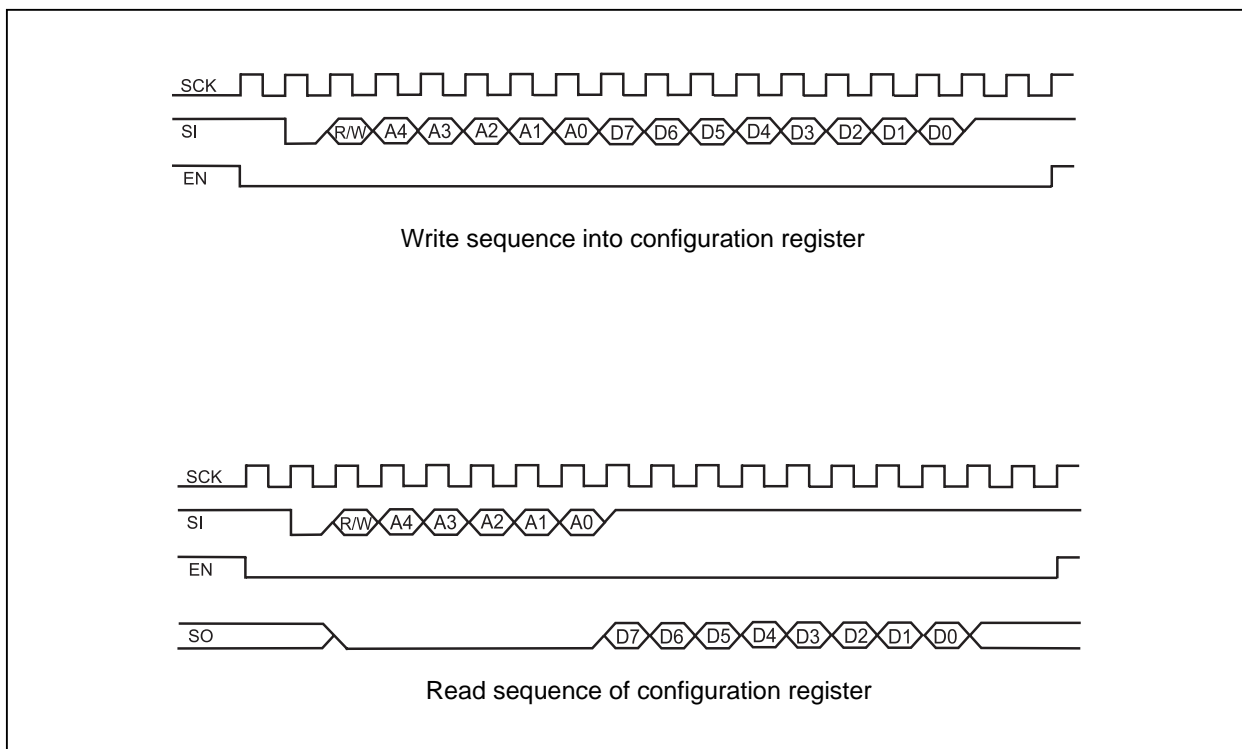
The module is based on the RF transceiver circuit from SEMTECH, the XE1203. For more information on the XE1203, please refer to the Semtech web site.

All high frequency circuits and the 39MHz reference crystal are enclosed inside a shielding can. The module incorporates an antenna switch driven by two external pins (RX and TX), and a SAW Filter placed between the antenna port (RF IN/OUT). The switch provides a superior margin to satisfy the European or the North American regulatory standards.



A 3-wire bi-directional bus (SCK, SI, SO) is used to control the DP1203. The output signal, SO, is provided by the DP1203 in opposition to the SCK and SI which need to be provided by the external application as an 8-bit microcontroller. An access *Read* or *Write* with the XE1203 is possible only when the enable signal is active (active LOW).

For more information about the 3-wire bus, please refer to the XE1203 datasheet chapter; *Interface definition, principles of operation*.



The DP1203 has 2 main operating modes (Mode 1, Mode 2); each mode is subdivided into 4 modes illustrated in the table below. The switching between Mode1 and Mode 2 can be done either through the 3-wire bus (Chip\_config register) or by using the pin SWITCH. The selection depends on the Switch\_ext which is a XE1203 register.

<b>Switch_ext</b> Bit 3, Address 00010	<b>Chip_config</b> Bit 0, Address 00000	<b>SWITCH (pin)</b>	<b>Mode selected</b>
0	0	Set in Output - "1" DP1203 is in transmitter - "0" DP1203 other modes	Mode 1 Bit 7-6, Address 00110  - 0 0 : sleep mode - 0 1 : standby mode - 1 0 : receiver mode - 1 1 : transmitter mode
0	1	Set in Output - "1" DP1203 is in transmitter - "0" DP1203 other modes	Mode 2 Bit 7-6, Address 01001  - 0 0 : sleep mode - 0 1 : standby mode - 1 0 : receiver mode - 1 1 : transmitter mode
1	X	0	Mode 1 Bit 7-6, Address 00110  - 0 0 : sleep mode - 0 1 : standby mode - 1 0 : receiver mode - 1 1 : transmitter mode
1	X	1	Mode 2 Bit 7-6, Address 01001  - 0 0 : sleep mode - 0 1 : standby mode - 1 0 : receiver mode - 1 1 : transmitter mode

For more information about the modes of operation, please refer to the XE1203 Datasheet on the Semtech website.

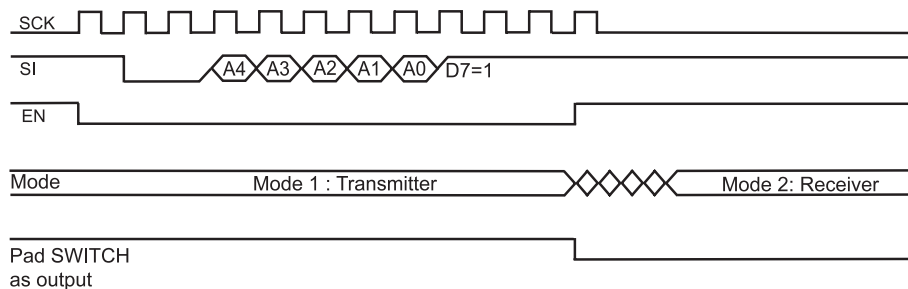


### 1.3 STANDARD SEQUENCE FOR SWITCHING BETWEEN RECEIVER AND TRANSMITTER

The drop-in module DP1203 is able to switch between any configuration by using the 3-wire bus or by using the pin SWITCH. This section describes the switching sequence from Mode 1 to Mode 2.

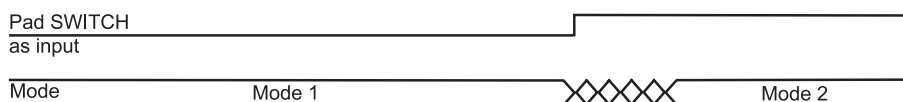
#### Switching sequence by using the 3-wire bus

Switch\_ext = 0 (Bit 3, Address 00010)

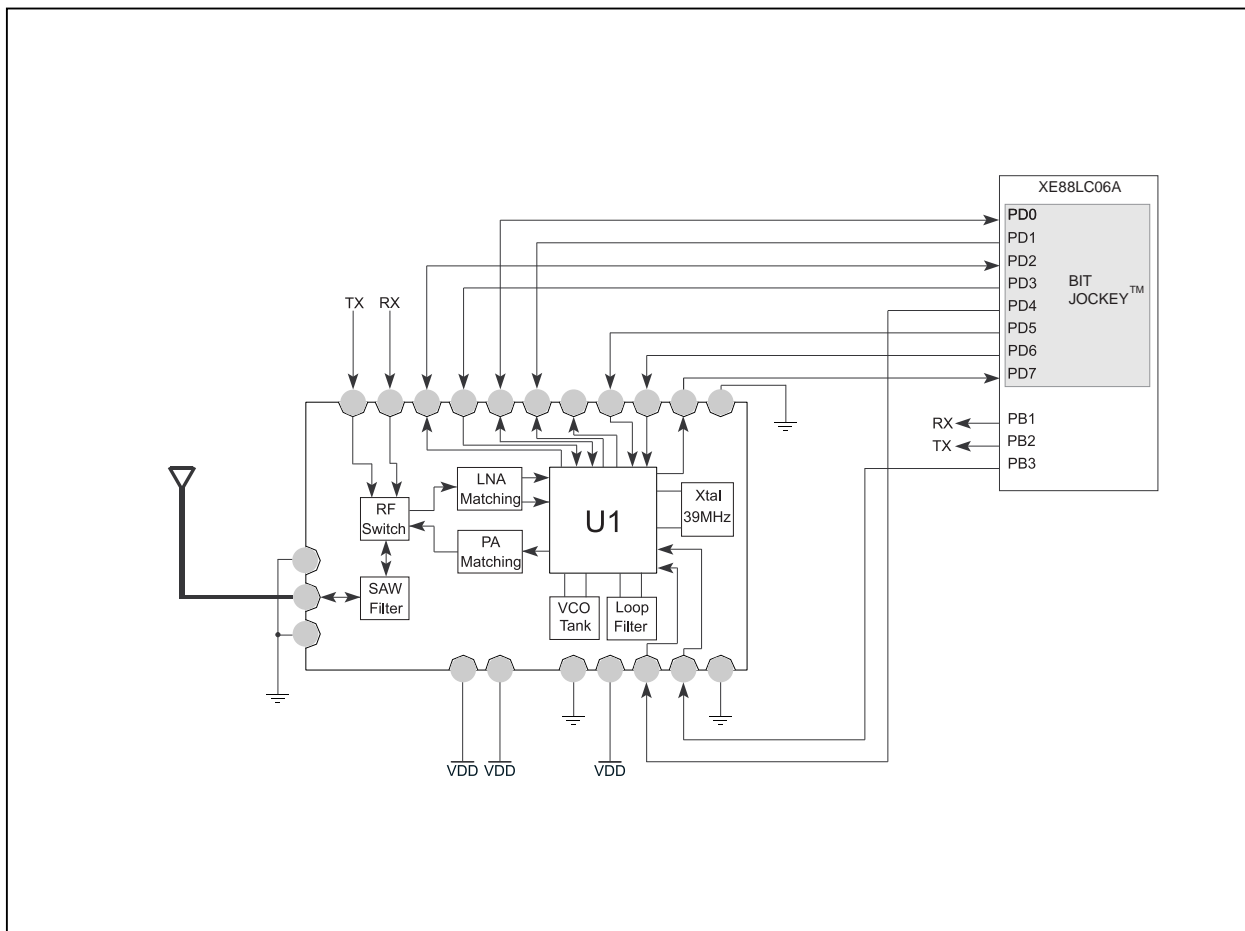


#### Switching sequence by pad SWITCH

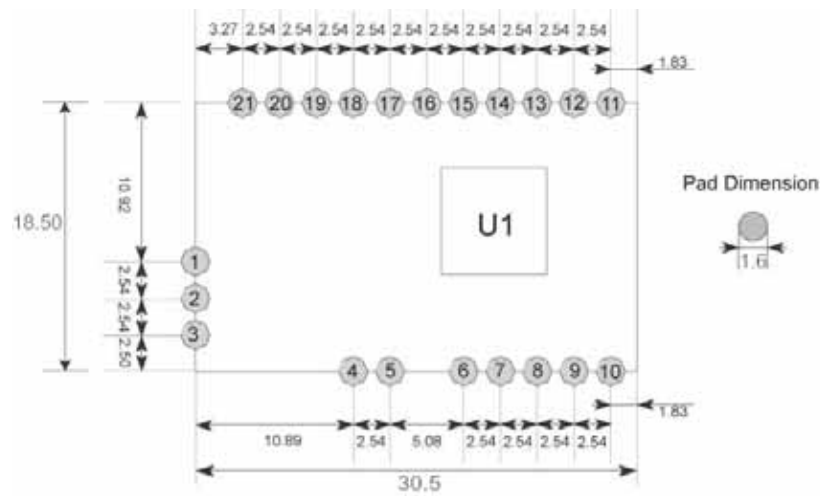
Switch\_ext = 1 (Bit 3, Address 00010)



The schematic below shows the DP1203 interfaced with a Semtech's microcontroller XE8806A. In this typical application, the pad SWITCH is used as an input and the two signals TX and RX are controlled directly by the microcontroller.

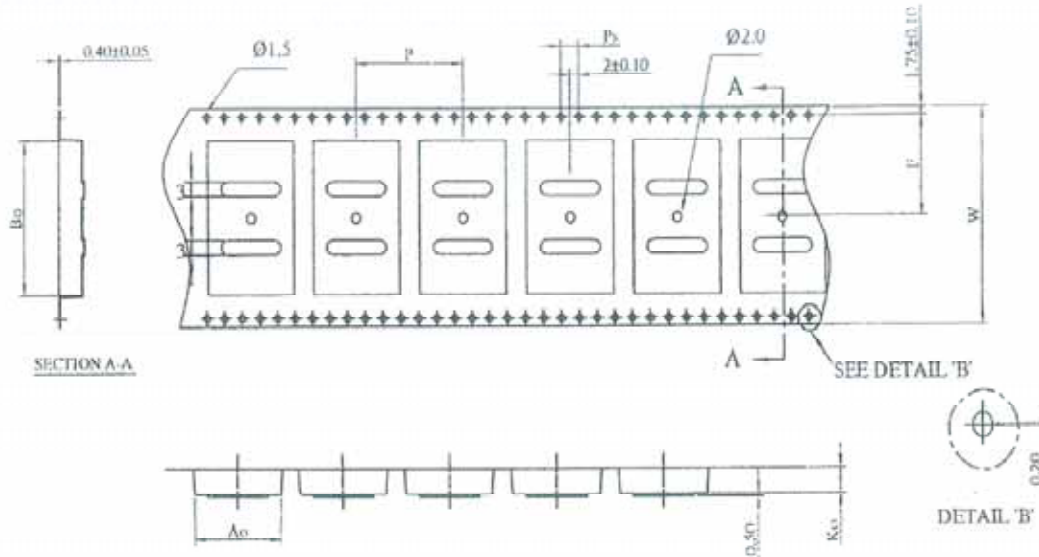


The following diagram shows the physical footprint and dimensions of the DP1203 drop-in module, which should be implemented on the mother board.



MATERIAL TYPE : HIGH IMPACT POLYSTYRENE (CONDUCTIVE, BLACK)

CARRIER TAPE DRAWING:



DIMENSIONS	W	p	Ao	Bo	Ko	Ps	F
SPECS' Nominal	44.00	24.00	19.50	31.10	5.30	4.00	20.20
Tolerance +/-	0.30	0.10	0.10	0.10	0.10	0.10	0.10

- All dimensions are in mm.
- Cambers do not exceed 1.0 mm in 100mm
- The maximum cumulative tolerance is +/-0.2 for 10 sprocket hole pitch
- The thickness of carrier tape is 0.4mm

© Semtech 2006

All rights reserved. Reproduction in whole or in part is prohibited without the prior written consent of the copyright owner. The information presented in this document does not form part of any quotation or contract, is believed to be accurate and reliable and may be changed without notice. No liability will be accepted by the publisher for any consequence of its use. Publication thereof does not convey nor imply any license under patent or other industrial or intellectual property rights. Semtech. assumes no responsibility or liability whatsoever for any failure or unexpected operation resulting from misuse, neglect improper installation, repair or improper handling or unusual physical or electrical stress including, but not limited to, exposure to parameters beyond the specified maximum ratings or operation outside the specified range.

SEMTECH PRODUCTS ARE NOT DESIGNED, INTENDED, AUTHORIZED OR WARRANTED TO BE SUITABLE FOR USE IN LIFE-SUPPORT APPLICATIONS, DEVICES OR SYSTEMS OR OTHER CRITICAL APPLICATIONS. INCLUSION OF SEMTECH PRODUCTS IN SUCH APPLICATIONS IS UNDERSTOOD TO BE UNDERTAKEN SOLELY AT THE CUSTOMER'S OWN RISK. Should a customer purchase or use Semtech products for any such unauthorized application, the customer shall indemnify and hold Semtech and its officers, employees, subsidiaries, affiliates, and distributors harmless against all claims, costs damages and attorney fees which could arise.

#### Contact Information

Semtech Corporation  
Wireless and Sensing Products Division  
200 Flynn Road, Camarillo, CA 93012  
Phone (805) 498-2111 Fax : (805) 498-3804