



# PSI5 Inertial Sensor

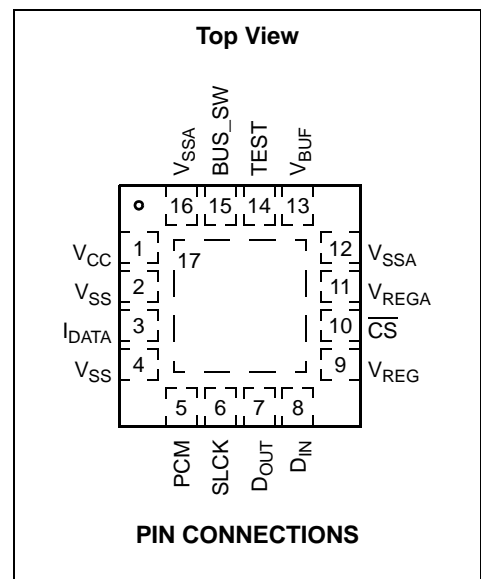
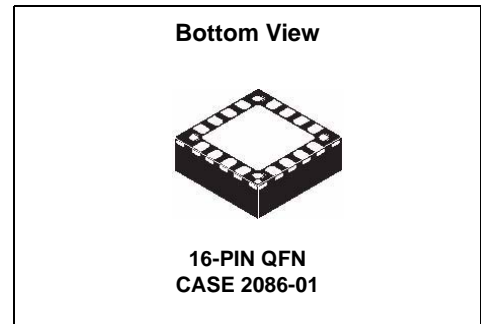
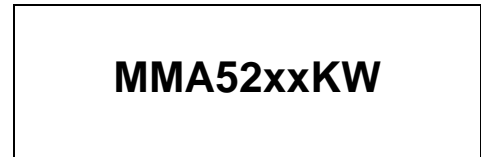
The MMA52xxKW family, a SafeAssure solution, includes the AKLV27 and PSI5 Version 1.3 compatible overdamped X-axis satellite accelerometers.

## Features

- $\pm 60g$  to  $\pm 480g$  Full-Scale Range
- Selectable 400 Hz, 3 Pole, or 4 pole Low-Pass Filter
- Single Pole High Pass Filter with Fast Startup and Output Rate Limiting
- PSI5 Version 1.3 Compatible
  - PSI5-P10P-500/3L Compatible
  - Programmable Time Slots with 0.5  $\mu s$  Resolution
  - Selectable Baud Rate: 125 kBaud or 190.5 kBaud
  - Selectable Data Length: 8 or 10 bits
  - Selectable Error Detection: Even Parity, or 3-bit CRC
  - Optional Daisy Chain with External Low Side Switch
  - Two-Wire Programming Mode
- 16  $\mu s$  Internal Sample Rate, with Interpolation to 1  $\mu s$
- Pb-Free 16-Pin QFN, 6 by 6 Package
- Qualified AECQ100, Revision G, Grade 1 (-40°C to +125°C)  
(<http://www.aecouncil.com/>)

## Typical Applications

- Airbag Front and Side Crash Detection



| ORDERING INFORMATION |      |       |         |             |
|----------------------|------|-------|---------|-------------|
| Device               | Axis | Range | Package | Shipping    |
| MMA5206KW            | X    | 60g   | 2086-01 | Tubes       |
| MMA5212KW            | X    | 120g  | 2086-01 | Tubes       |
| MMA5224KW            | X    | 240g  | 2086-01 | Tubes       |
| MMA5248KW            | X    | 480g  | 2086-01 | Tubes       |
| MMA5206KWR2          | X    | 60g   | 2086-01 | Tape & Reel |
| MMA5212KWR2          | X    | 120g  | 2086-01 | Tape & Reel |
| MMA5224KWR2          | X    | 240g  | 2086-01 | Tape & Reel |
| MMA5248KWR2          | X    | 480g  | 2086-01 | Tape & Reel |

For user register array programming, please consult your Freescale representative.

## Application Diagram

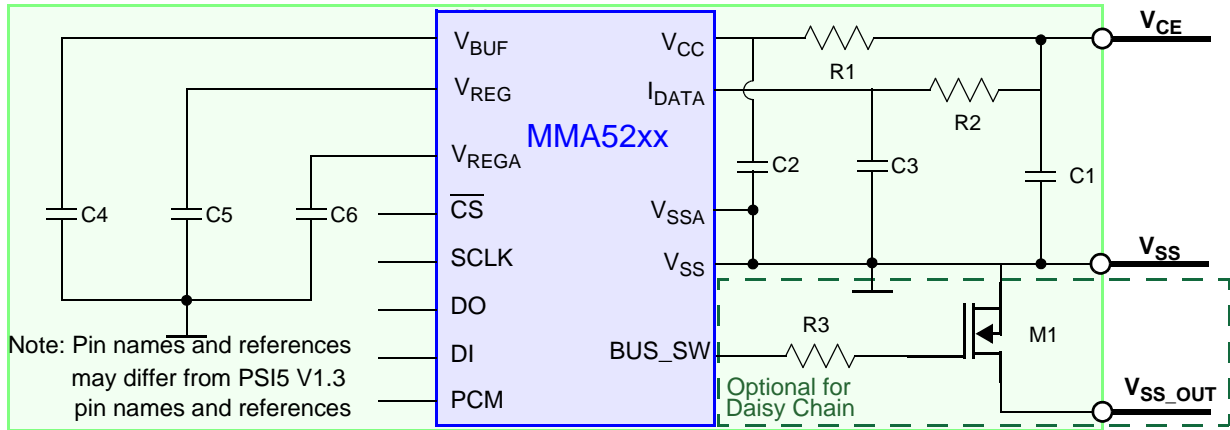


Figure 1. Application Diagram

| External Component Recommendations |                  |                               |  |
|------------------------------------|------------------|-------------------------------|--|
| Ref Des                            | Type             | Description                   | Purpose  |
| C1                                 | Ceramic          | 2.2 nF, 10%, 50V minimum, X7R | V <sub>CC</sub> Power Supply Decoupling and Signal Damping |
| C3                                 | Ceramic          | 470 pF, 10%, 50V minimum, X7R | I <sub>DATA</sub> Filtering and Signal Damping             |
| C2                                 | Ceramic          | 15 nF, 10%, 50V minimum, X7R  | V <sub>CC</sub> Power Supply Decoupling                    |
| C4, C5, C6                         | Ceramic          | 1 μF, 10%, 10V minimum, X7R   | Voltage Regulator Output Capacitor(s)                      |
| R1                                 | General Purpose  | 82Ω, 5%, 200 PPM              | V <sub>CC</sub> Filtering and Signal Damping               |
| R2                                 | General Purpose  | 27Ω, 5%, 200 PPM              | I <sub>DATA</sub> Filtering and Signal Damping             |
| R3                                 | General Purpose  | 20 kΩ, 5%, 200 PPM            | Gate Resistor for External Low Side Daisy Chain FET        |
| M1                                 | N-Channel MOSFET | —                             | Low Side Daisy Chain Transistor                            |

## Device Orientation

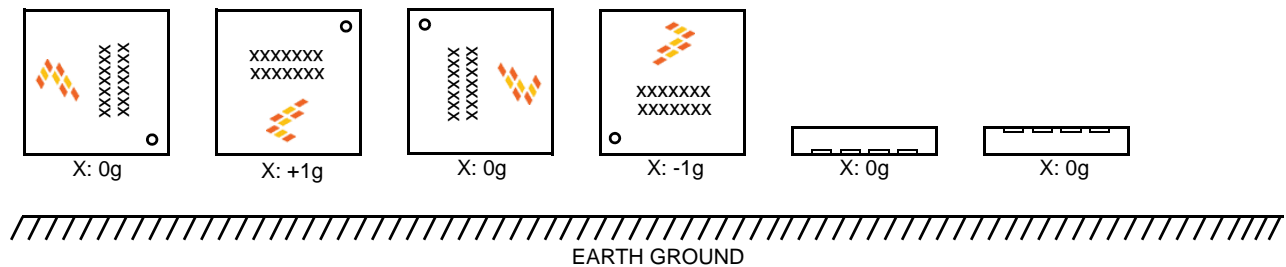


Figure 2. Device Orientation Diagram

## Internal Block Diagram

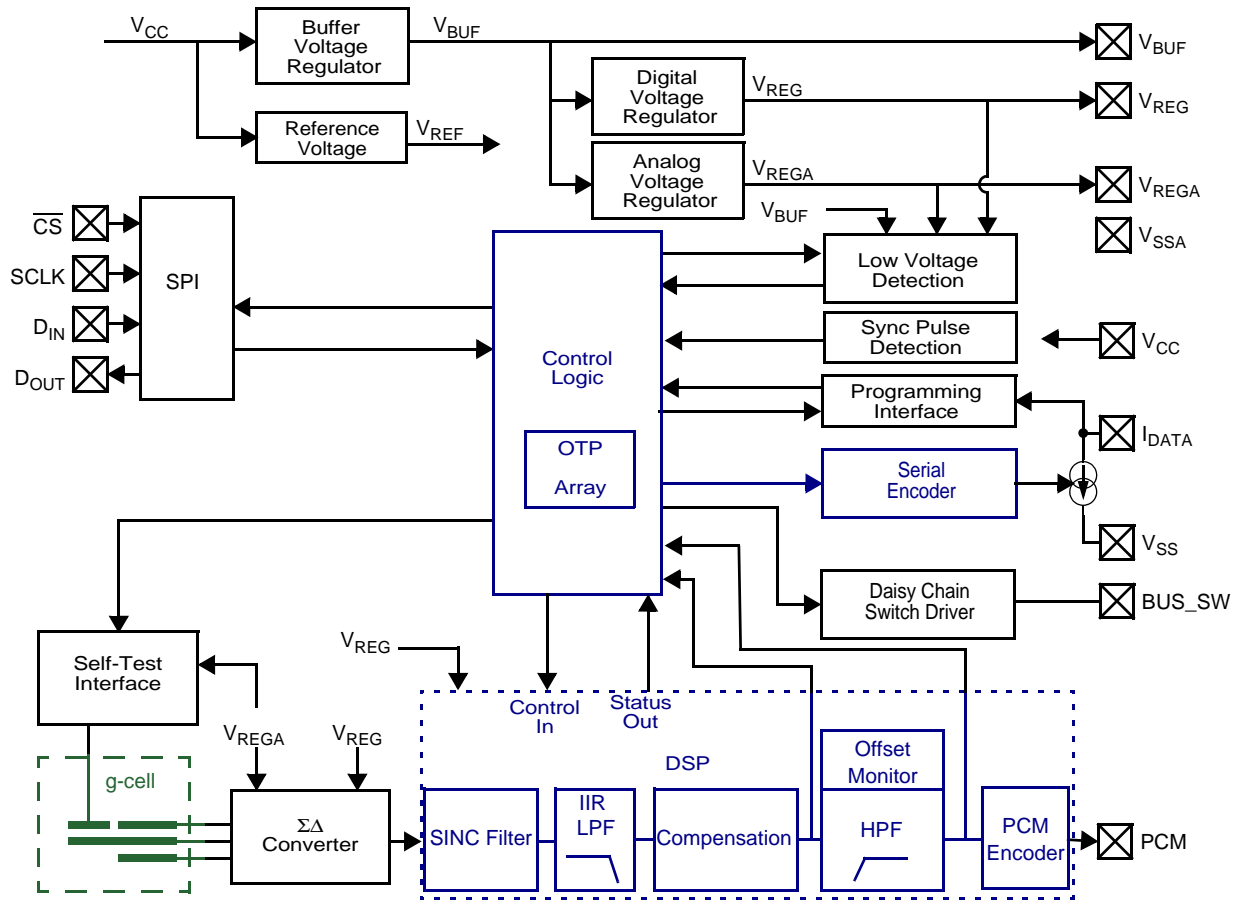


Figure 3. Block Diagram

# 1 Pin Connections

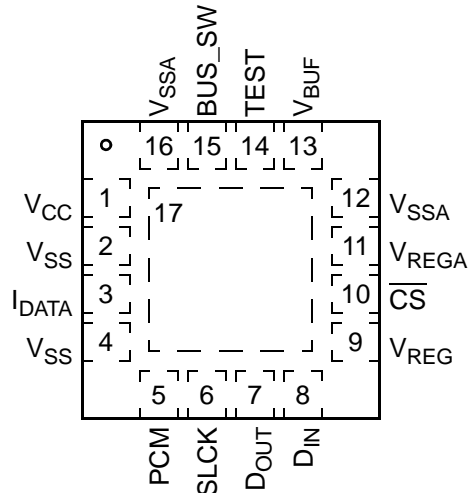


Figure 4. Top View, 16-Pin QFN Package

Table 1. Pin Description

| Pin | Pin Name          | Formal Name           | Definition  |
|-----|-------------------|-----------------------|---|
| 1   | V <sub>CC</sub>   | Supply                | This pin is connected to the PSI5 power and data line through a resistor and supplies power to the device. An external capacitor must be connected between this pin and V <sub>SS</sub> . Reference <a href="#">Figure 1</a> .  |
| 2   | V <sub>SS</sub>   | Digital GND           | This pin is the power supply return node for the digital circuitry.   |
| 3   | I <sub>DATA</sub> | Response Current      | This pin is connected to the PSI5 power and data line through a resistor and modulates the response current for PSI5 communication. Reference <a href="#">Figure 1</a> .  |
| 4   | V <sub>SS</sub>   | Digital GND           | This pin is the power supply return node for the digital circuitry.   |
| 5   | PCM               | PCM Output            | This pin provides a 4 MHz PCM signal proportional to the acceleration data for test purposes. The output can be enabled via OTP. Reference <a href="#">Section 3.5.3.7</a> . If unused, this pin must be left unconnected.  |
| 6   | SCLK              | SPI Clock             | This input pin provides the serial clock to the SPI port for test purposes. An internal pulldown device is connected to this pin. This pin must be grounded or left unconnected in the application.   |
| 7   | D <sub>OUT</sub>  | SPI Data Out          | This pin functions as the serial data output from the SPI port for test purposes. This pin must be left unconnected in the application.   |
| 8   | D <sub>IN</sub>   | SPI Data In           | This pin functions as the serial data input to the SPI port for test purposes. An internal pulldown device is connected to this pin. This pin must be grounded or left unconnected in the application.  |
| 9   | V <sub>REG</sub>  | Digital Supply        | This pin is connected to the power supply for the internal digital circuitry. An external capacitor must be connected between this pin and V <sub>SS</sub> . Reference <a href="#">Figure 1</a> .   |
| 10  | CS                | Chip Select           | This input pin provides the chip select to the SPI port for test purposes. An internal pullup device is connected to this pin. This pin must be left unconnected in the application.  |
| 11  | V <sub>REGA</sub> | Analog Supply         | This pin is connected to the power supply for the internal analog circuitry. An external capacitor must be connected between this pin and V <sub>SSA</sub> . Reference <a href="#">Figure 1</a> .   |
| 12  | V <sub>SSA</sub>  | Analog GND            | This pin is the power supply return node for the analog circuitry.  |
| 13  | V <sub>BUF</sub>  | Power Supply          | This pin is connected to a buffer regulator for the internal circuitry. The buffer regulator supplies both the analog (V <sub>REGA</sub> ) and digital (V <sub>REG</sub> ) supplies to provide immunity from EMC and supply dropouts on V <sub>CC</sub> . An external capacitor must be connected between this pin and V <sub>SS</sub> . Reference <a href="#">Figure 1</a> . |
| 14  | TEST              | Test Pin              | This pin is must be grounded or left unconnected in the application.  |
| 15  | BUS_SW            | Bus Switch Gate Drive | This pin is the drive for a low side daisy chain switch. When daisy chain mode is enabled, this pin is connected to the gate of an n-channel FET which connects V <sub>SS</sub> to V <sub>SS_OUT</sub> . Reference <a href="#">Figure 1</a> . If unused, this pin must be left unconnected.   |
| 16  | V <sub>SSA</sub>  | Analog GND            | This pin is the power supply return node for the analog circuitry.  |
| 17  | PAD               | Die Attach Pad        | This pin is the die attach flag, and is internally connected to V <sub>SS</sub> . Reference <a href="#">Section 6</a> for die attach pad connection details.  |
|     | Corner Pads       | Corner Pads           | The corner pads are internally connected to V <sub>SS</sub> .   |

## 2 Electrical Characteristics

### 2.1 Maximum Ratings

Maximum ratings are the extreme limits to which the device can be exposed without permanently damaging it.

| #  | Rating  | Symbol          | Value        | Unit           |         |
|----|---|-----------------|--------------|----------------|---------|
| 1  | Supply Voltage ( $V_{CC}$ , $I_{DATA}$ )  |                 |              |                | (3)     |
| 2  | Reverse Current $\leq 160$ mA, $t \leq 80$ ms   | $V_{CC\_REV}$   | -0.7         | V              | (3)     |
| 3  | Continuous  | $V_{CC\_MAX}$   | +20.0        | V              | (9)     |
| 3  | Transient ( $< 10$ $\mu$ s)   | $V_{CC\_TRANS}$ | +25.0        | V              | (9)     |
| 4  | $V_{BUF\_Test}$ , $BUS\_SW$   |                 | -0.3 to +4.2 | V              | (3)     |
| 5  | $V_{REG}$ , $V_{REGA}$ , $SCLK$ , $\overline{CS}$ , $D_{IN}$ , $D_{OUT}$ , $PCM$              |                 | -0.3 to +3.0 | V              | (3)     |
| 6  | Powered Shock (six sides, 0.5 ms duration)  | $g_{pms}$       | $\pm 2000$   | g              | (3)     |
| 7  | Unpowered Shock (six sides, 0.5 ms duration)  | $g_{shock}$     | $\pm 2500$   | g              | (3)     |
| 8  | Drop Shock (to concrete, tile or steel surface, 10 drops, any orientation)                    | $h_{DROP}$      | 1.2          | m              | (5)     |
| 9  | Electrostatic Discharge (per AEC-Q100)  |                 |              |                | (5)     |
| 10 | External Pins ( $V_{CC}$ , $I_{DATA}$ , $V_{SS}$ , $V_{SSA}$ ), HBM (100 pF, 1.5 k $\Omega$ ) | $V_{ESD}$       | $\pm 4000$   | V              | (5)     |
| 11 | HBM (100 pF, 1.5 k $\Omega$ )   | $V_{ESD}$       | $\pm 2000$   | V              | (5)     |
| 12 | CDM ( $R = 0\Omega$ )   | $V_{ESD}$       | $\pm 1500$   | V              | (5)     |
| 12 | MM (200 pF, $0\Omega$ )   | $V_{ESD}$       | $\pm 200$    | V              | (5)     |
| 13 | Temperature Range   |                 |              |                | (3)     |
| 14 | Storage   | $T_{stg}$       | -40 to +125  | $^{\circ}$ C   | (9)     |
| 14 | Junction  | $T_J$           | -40 to +150  | $^{\circ}$ C   | (9)     |
| 15 | Thermal Resistance  | $\theta_{JC}$   | 2.5          | $^{\circ}$ C/W | (9, 14) |

### 2.2 Operating Range

$V_L \leq (V_{CC} - V_{SS}) \leq V_H$ ,  $T_L \leq T_A \leq T_H$ ,  $\Delta T \leq 25$  K/min, unless otherwise specified.

| #  | Characteristic   | Symbol       | Min              | Typ | Max           | Units        |     |
|----|--|--------------|------------------|-----|---------------|--------------|-----|
| 16 | Supply Voltage   | $V_{CC}$     | $V_L$<br>4.2     | —   | $V_H$<br>17.0 | V            | (1) |
| 17 |  | $V_{CC\_UV}$ | $V_{VCC\_UV\_F}$ | —   | $V_L$         | V            | (9) |
| 18 | Programming Voltage ( $I_{DATA} \leq 85$ mA)<br>Applied to $I_{DATA}$ , $V_{CC}$ | $V_{PP}$     | 14.0             | —   | —             | V            | (3) |
| 19 | Operating Temperature Range  | $T_A$        | $T_L$<br>-40     | —   | $T_H$<br>+105 | $^{\circ}$ C | (1) |
| 20 |  | $T_A$        | -40              | —   | +125          | $^{\circ}$ C | (3) |

## 2.3 Electrical Characteristics - Supply and I/O

$V_L \leq (V_{CC} - V_{SS}) \leq V_H$ ,  $T_L \leq T_A \leq T_H$ ,  $\Delta T \leq 25$  K/min, unless otherwise specified.

| #  | Characteristic   | Symbol             | Min               | Typ                  | Max               | Units       |         |
|----|--|--------------------|-------------------|----------------------|-------------------|-------------|---------|
| 21 | Quiescent Supply Current *   | $I_{IDLE}$         | 4.0               | —                    | 8.0               | mA          | (1)     |
| 22 | Modulation Supply Current *  | $I_{MOD}$          | $I_{IDLE} + 22.0$ | $I_{IDLE} + 26.0$    | $I_{IDLE} + 30.0$ | mA          | (1)     |
| 23 | Inrush Current (Power On until $V_{BUF}$ , $V_{REG}$ , $V_{REGA}$ Stable)                                    | $I_{INRUSH}$       | —                 | —                    | 30                | mA          | (3)     |
| 24 | Internally Regulated Voltages *  | $V_{BUF}$          | 3.60              | 3.80                 | 4.00              | V           | (1)     |
| 25 | $V_{REG}$ *  | $V_{REG}$          | 2.425             | 2.50                 | 2.575             | V           | (1)     |
| 26 | $V_{REGA}$ *   | $V_{REGA}$         | 2.425             | 2.50                 | 2.575             | V           | (1)     |
| 27 | Low Voltage Detection Threshold  |                    |                   |                      |                   |             |         |
| 28 | $V_{CC}$ Falling   | $V_{VCC\_UV\_F}$   | 3.40              | 3.70                 | 4.0               | V           | (3, 6)  |
| 29 | $V_{BUF}$ Falling  | $V_{VBUF\_UV\_F}$  | 2.95              | 3.15                 | 3.35              | V           | (3, 6)  |
| 30 | $V_{REG}$ Falling  | $V_{VREG\_UV\_F}$  | 2.15              | 2.25                 | 2.35              | V           | (3, 6)  |
| 30 | $V_{REGA}$ Falling   | $V_{VREGA\_UV\_F}$ | 2.15              | 2.25                 | 2.35              | V           | (3, 6)  |
| 31 | Hysteresis   |                    |                   |                      |                   |             |         |
| 31 | $V_{CC}$   | $V_{VCC\_HYST}$    | 0.10              | 0.25                 | 0.40              | V           | (3)     |
| 32 | $V_{BUF}$  | $V_{VBUF\_HYST}$   | 0.05              | 0.10                 | 0.15              | V           | (3)     |
| 33 | $V_{REG}$  | $V_{VREG\_HYST}$   | 0.05              | 0.10                 | 0.15              | V           | (3)     |
| 34 | $V_{REGA}$   | $V_{VREGA\_HYST}$  | 0.05              | 0.10                 | 0.15              | V           | (3)     |
| 35 | External Capacitor ( $V_{BUF}$ , $V_{REG}$ , $V_{REGA}$ ) Capacitance  |                    | 500               | 1000                 | 1500              | nF          | (9)     |
| 36 | ESR (including interconnect resistance)  | ESR                | 0                 | —                    | 200               | m $\Omega$  | (9)     |
| 37 | Synchronization Pulse (Figure 5) $V_{IDLE}$ Voltage Range *  | $V_{IDLE}$         | —                 | —                    | 15.4              | V           | (3, 11) |
| 38 | DC Sync Pulse Detection Threshold *  | $\Delta V_{SYNC}$  | $V_{IDLE} + 1.4$  | $V_{IDLE} + 2.0$     | $V_{IDLE} + 2.6$  | V           | (3, 6)  |
| 39 | Sync Pulse Pulldown Current  | $I_{SYNC\_PD}$     | —                 | $I_{MOD} - I_{IDLE}$ | —                 | mA          | (3)     |
| 40 | Output High Voltage (DO) $I_{Load} = 100 \mu A$  | $V_{OH}$           | $V_{REG} - 0.1$   | —                    | —                 | V           | (9)     |
| 41 | Output Low Voltage (DO) $I_{Load} = 100 \mu A$   | $V_{OL}$           | —                 | —                    | 0.1               | V           | (9)     |
| 42 | Input High Voltage $\overline{CS}$ , SCLK, DI  | $V_{IH}$           | $0.7 * V_{REG}$   | —                    | —                 | V           | (9)     |
| 43 | Input Low Voltage $\overline{CS}$ , SCLK, DI   | $V_{IL}$           | —                 | —                    | $0.3 * V_{REG}$   | V           | (9)     |
| 44 | Input Current High (at $V_{IH}$ ) (DI)   | $I_{IH}$           | -100              | —                    | -10               | $\mu A$     | (9)     |
| 45 | Low (at $V_{IL}$ ) (CS)  | $I_{IL}$           | 10                | —                    | 100               | $\mu A$     | (9)     |
| 46 | Pulldown Resistance (SCLK)   | $R_{PD}$           | 20                | $\infty$             | 100               | k $\Omega$  | (9)     |
| 47 | Temperature Monitoring Under-Temperature Monitor Threshold   | $T_{IH}$           | —                 | —                    | -55               | $^{\circ}C$ | (9)     |
| 48 | Over-Temperature Monitor Threshold   | $T_{IL}$           | 155               | —                    | —                 | $^{\circ}C$ | (9)     |
| 49 | BUS_SW Output High Voltage (BUS_SW) $I_{Load} = 100 \mu A$   | $V_{BUS\_SW\_OH}$  | 3.15              | —                    | $V_{BUF}$         | V           | (9)     |
| 50 | Output Low Voltage (BUS_SW) $I_{Load} = 100 \mu A$   | $V_{BUS\_SW\_OL}$  | 0.0               | —                    | 0.45              | V           | (9)     |
| 51 | Daisy Chain Addressing Mode Sync Pulse Period  |                    | —                 | $t_{S-S\_PM\_L}$     | —                 | s           | (7)     |
| 52 | Bus Switch Output Activation Time (C = 50 pF) From last bit of "SetAdr" Response to 80% of $V_{BUS\_SW\_OH}$ | $t_{BUS\_SW}$      | —                 | —                    | 300               | $\mu s$     | (7)     |
| 53 | Sync Pulse Blanking Time after "SetAdr" Command Received From last bit of "SetAdr" Response                  | $t_{DC\_BLANKING}$ |                   | $200000 / f_{OSC}$   |                   | s           | (7)     |

## 2.4 Electrical Characteristics - Sensor And Signal Chain

$V_L \leq (V_{CC} - V_{SS}) \leq V_H$ ,  $T_L \leq T_A \leq T_H$ ,  $\Delta T \leq 25$  K/min, unless otherwise specified.

| #  | Characteristic   | Symbol                                 | Min  | Typ | Max  | Units |     |
|----|--|--|------|-----|------|-------|-----|
| 54 | Sensitivity (10-bit output @ 100 Hz, referenced to 0 Hz)<br>±60g Range                                 | * SENS                                 | —    | 8   | —    | LSB/g | (1) |
| 55 | ±120g Range  | * SENS                                 | —    | 4   | —    | LSB/g | (1) |
| 56 | ±240g Range  | * SENS                                 | —    | 2   | —    | LSB/g | (1) |
| 57 | ±480g Range  | * SENS                                 | —    | 1   | —    | LSB/g | (1) |
| 58 | Total Sensitivity Error (including non-linearity)<br>$T_A = 25^\circ\text{C}$ , $\leq \pm 240\text{g}$ | * $\Delta\text{SENS}_{240}$            | -5   | —   | +5   | %     | (1) |
| 59 | $T_L \leq T_A \leq T_H$ , $\leq \pm 240\text{g}$   | * $\Delta\text{SENS}_{240}$            | -7   | —   | +7   | %     | (1) |
| 60 | $T_L \leq T_A \leq T_H$ , $\leq \pm 240\text{g}$ , $V_{VCC\_UV\_F} \leq V_{CC} \leq V_L$               | $\Delta\text{SENS}_{240}$              | -7   | —   | +7   | %     | (9) |
| 61 | $T_A = 25^\circ\text{C}$ , $> \pm 240\text{g}$   | * $\Delta\text{SENS}_{480}$            | -5   | —   | +5   | %     | (1) |
| 62 | $T_L \leq T_A \leq T_H$ , $> \pm 240\text{g}$  | * $\Delta\text{SENS}_{480}$            | -7   | —   | +7   | %     | (1) |
| 63 | $T_L \leq T_A \leq T_H$ , $> \pm 240\text{g}$ , $V_{VCC\_UV\_F} \leq V_{CC} \leq V_L$                  | $\Delta\text{SENS}_{480}$              | -7   | —   | +7   | %     | (9) |
| 64 | Digital Offset Before Offset Cancellation<br>10-bit  | * $\text{OFF}_{10\text{Bit}}$          | -52  | 0   | +52  | LSB   | (1) |
| 65 | 10-bit, $T_L \leq T_A \leq T_H$ , $V_{VCC\_UV\_F} \leq V_{CC} \leq V_L$                                | $\text{OFF}_{10\text{Bit}}$            | -52  | 0   | +52  | LSB   | (9) |
| 66 | Digital Offset After Offset Cancellation<br>10-bit, 0.3 Hz HPF or 0.1 Hz HPF                           | * $\text{OFF}_{10\text{Bit}}$          | -1   | 0   | +1   | LSB   | (1) |
| 67 | 10-bit, 0.04 Hz HPF  | * $\text{OFF}_{10\text{Bit}}$          | -2   | 0   | +2   | LSB   | (9) |
| 68 | Continuous Offset Monitor Limit<br>10-bit output, before compensation                                  | $\text{OFF}_{\text{MON}}$              | -66  | —   | +66  | LSB   | (3) |
| 69 | Range of Output (10-bit Mode)<br>Acceleration  | RANGE                                  | -480 | —   | +480 | LSB   | (3) |
| 70 | Cross-Axis Sensitivity<br>Z-axis to X-axis   | * $V_{ZX}$                             | -5   | —   | +5   | %     | (3) |
| 71 | Y-axis to X-axis   | * $V_{YX}$                             | -5   | —   | +5   | %     | (3) |
| 72 | System Output Noise Peak (10-bit Mode, 1 Hz - 1 kHz, All Ranges)                                       | * $\eta_{\text{Peak}}$                 | -4   | —   | +4   | LSB   | (3) |
| 73 | System Output Noise RMS (10-bit mode, 1 Hz - 1 kHz, All Ranges)  | * $\eta_{\text{RMS}}$                  | —    | —   | +1.0 | LSB   | (3) |
| 74 | Non-linearity<br>10-bit output, $\leq \pm 240\text{g}$   | $\text{NL}_{\text{OUT}_{240\text{g}}}$ | -2   | —   | +2   | %     | (3) |
| 75 | 10-bit output, $> \pm 240\text{g}$   | $\text{NL}_{\text{OUT}_{480\text{g}}}$ | -2   | —   | +2   | %     | (3) |

## 2.5 Electrical Characteristics - Self-Test and Overload

$V_L \leq (V_{CC} - V_{SS}) \leq V_H$ ,  $T_L \leq T_A \leq T_H$ ,  $\Delta T \leq 25$  K/min, unless otherwise specified.

| #  | Characteristic  | Symbol                               | Min  | Typ  | Max  | Units |     |
|----|---|--------------------------------------|------|------|------|-------|-----|
| 76 | 10-Bit Output During Active Self-Test ( $T_L \leq T_A \leq T_H$ )<br>±60g Range       | * $g_{\text{ST}10\_60\text{X}}$      | 120  | —    | 280  | LSB   | (3) |
| 77 | ±120g Range   | * $g_{\text{ST}10\_120\text{X}}$     | 40   | —    | 160  | LSB   | (3) |
| 78 | ±240g Range   | * $g_{\text{ST}10\_240\text{X}}$     | 56   | —    | 184  | LSB   | (3) |
| 79 | ±480g Range   | * $g_{\text{ST}10\_480\text{X}}$     | 8    | —    | 112  | LSB   | (3) |
| 80 | Acceleration (without hitting internal g-cell stops)<br>±60g Range Positive/Negative  | $g_{\text{g-cell\_Clip}60\text{X}}$  | 400  | 456  | 500  | g     | (9) |
| 81 | Acceleration (without hitting internal g-cell stops)<br>±120g Range Positive/Negative | $g_{\text{g-cell\_Clip}120\text{X}}$ | 400  | 456  | 500  | g     | (9) |
| 82 | Acceleration (without hitting internal g-cell stops)<br>±240g Range Positive/Negative | $g_{\text{g-cell\_Clip}240\text{X}}$ | 1750 | 2065 | 2300 | g     | (9) |
| 83 | Acceleration (without hitting internal g-cell stops)<br>±480g Range Positive/Negative | $g_{\text{g-cell\_Clip}480\text{X}}$ | 1750 | 2065 | 2300 | g     | (9) |
| 84 | $\Sigma\Delta$ and Sinc Filter Clipping Limit<br>±60g Range Positive/Negative         | $g_{\text{ADC\_Clip}60\text{X}}$     | 191  | 210  | 233  | g     | (9) |
| 85 | $\Sigma\Delta$ and Sinc Filter Clipping Limit<br>±120g Range Positive/Negative        | $g_{\text{ADC\_Clip}120\text{X}}$    | 353  | 380  | 410  | g     | (9) |
| 86 | $\Sigma\Delta$ and Sinc Filter Clipping Limit<br>±240g Range Positive/Negative        | $g_{\text{ADC\_Clip}240\text{X}}$    | 928  | 1055 | 1218 | g     | (9) |
| 87 | $\Sigma\Delta$ and Sinc Filter Clipping Limit<br>±480g Range Positive/Negative        | $g_{\text{ADC\_Clip}480\text{X}}$    | 1690 | 1879 | 2106 | g     | (9) |

## 2.6 Dynamic Electrical Characteristics - PSI5

$V_L \leq (V_{CC} - V_{SS}) \leq V_H$ ,  $T_L \leq T_A \leq T_H$ ,  $\Delta T \leq 25$  K/min, unless otherwise specified

| #   | Characteristic  | Symbol                   | Min               | Typ                | Max            | Units   |         |
|-----|---|--------------------------|-------------------|--------------------|----------------|---------|---------|
| 88  | Initialization Timing                                     |                          |                   |                    |                |         |         |
| 88  | Phase 1   | $t_{PSI5\_INIT1}$        | —                 | $532000 / f_{OSC}$ | —              | s       | (7)     |
| 89  | Phase 2 (10-Bit, Synchronous Mode, k = 4)                 | $t_{PSI5\_INIT2\_10s}$   | —                 | $256 * t_{S-S}$    | —              | s       | (7)     |
| 90  | Phase 2 (8-Bit, Synchronous Mode, k = 8)                  | $t_{PSI5\_INIT2\_8s}$    | —                 | $288 * t_{S-S}$    | —              | s       | (7)     |
| 91  | Phase 2 (10-Bit, Asynchronous Mode 0, k = 8)              | $t_{PSI5\_INIT2\_10a0}$  | —                 | $512 * t_{ASYNC}$  | —              | s       | (7)     |
| 92  | Phase 2 (8-Bit, Asynchronous Mode 0, k = 16)              | $t_{PSI5\_INIT2\_8a0}$   | —                 | $576 * t_{ASYNC}$  | —              | s       | (7)     |
| 93  | Phase 3 (10-Bit, Synchronous Mode, ST_RPT = 0)            | $t_{PSI5\_INIT3\_10s}$   | —                 | $2 * t_{S-S}$      | —              | s       | (7, 12) |
| 94  | Phase 3 (8-Bit, Synchronous Mode, ST_RPT = 0)             | $t_{PSI5\_INIT3\_8s}$    | —                 | $2 * t_{S-S}$      | —              | s       | (7, 12) |
| 95  | Phase 3 (10-Bit, Asynchronous Mode 0, ST_RPT = 0)         | $t_{PSI5\_INIT3\_10a0}$  | —                 | $19 * t_{ASYNC}$   | —              | s       | (7, 12) |
| 96  | Phase 3 (8-Bit, Asynchronous Mode 0, ST_RPT = 0)          | $t_{PSI5\_INIT3\_8a0}$   | —                 | $2 * t_{ASYNC}$    | —              | s       | (7, 12) |
| 97  | Offset Cancellation Stage 1 Operating Time                | $t_{OC1}$                | —                 | $320000 / f_{OSC}$ | —              | s       | (7)     |
| 98  | Offset Cancellation Stage 2 Operating Time                | $t_{OC2}$                | —                 | $280000 / f_{OSC}$ | —              | s       | (7)     |
| 99  | Self-Test Stage 1 Operating Time                          | $t_{ST1}$                | —                 | $128000 / f_{OSC}$ | —              | s       | (7)     |
| 100 | Self-Test Stage 2 Operating Time                          | $t_{ST2}$                | —                 | $128000 / f_{OSC}$ | —              | s       | (7)     |
| 101 | Self-Test Stage 3 Operating Time                          | $t_{ST3}$                | —                 | $128000 / f_{OSC}$ | —              | s       | (7)     |
| 102 | Self-Test Repetitions                                     | ST_RPT                   | 0                 | —                  | 5              | s       | (7, 12) |
| 103 | Programming Mode Entry Window                             | $t_{PME}$                | —                 | $300000 / f_{OSC}$ | —              | s       | (7)     |
| 104 | Synchronization Pulse (Figure 5, Figure 28 and Figure 32) |                          |                   |                    |                |         |         |
| 104 | Reset to first sync pulse (Program Mode Entry)            | $t_{RS\_PM}$             | 58                | —                  | —              | ms      | (7)     |
| 105 | Reset to first sync pulse (Normal Mode)                   | $t_{RS}$                 | $t_{PSI5\_INIT1}$ | —                  | —              | s       | (7)     |
| 106 | Sync Pulse Period   | $t_{S-S}$                | $t_{SYNC\_OFF}$   | —                  | —              | $\mu$ s | (7)     |
| 107 | Sync Pulse Width  | $t_{SYNC}$               | 9                 | —                  | —              | $\mu$ s | (7)     |
| 108 | Sync Pulse Reference LPF time constant                    | $t_{SYNC\_LPF}$          | 120               | 280                | —              | $\mu$ s | (9)     |
| 109 | Sync Pulse Reference Discharge Start Time                 | $t_{SYNC\_LPF\_RST\_ST}$ | —                 | $66 / f_{OSC}$     | —              | s       | (7)     |
| 110 | Sync Pulse Reference Discharge Activation Time            | $t_{SYNC\_LPF\_RST}$     | —                 | $616 / f_{OSC}$    | —              | s       | (7)     |
| 111 | Sync Pulse Detection Disable Time (BLANKTIME = 0)         | $t_{SYNC\_OFF\_500}$     | —                 | $1810 / f_{OSC}$   | —              | s       | (7)     |
| 112 | Analog Delay of Sync Pulse Detection                      | $t_{A\_SYNC\_DLY}$       | 50                | —                  | 600            | ns      | (9)     |
| 113 | Sync Pulse Pulldown Function Delay Time                   | $t_{PD\_DLY}$            | —                 | $74 / f_{OSC}$     | —              | s       | (7)     |
| 114 | Sync Pulse Pulldown Function Activate Time                | $t_{PD\_ON}$             | —                 | $64 / f_{OSC}$     | —              | s       | (7)     |
| 115 | Sync Pulse Detection Jitter                               | $t_{SYNC\_JIT}$          | 0                 | —                  | $2 / f_{OSC}$  | s       | (7)     |
| 116 | Data Transmission Single Bit Time (PSI5 Low Bit Rate)     | $t_{BIT\_LOW}$           | 7.6000            | 8.0000             | 8.4000         | $\mu$ s | (7)     |
| 117 | Data Transmission Single Bit Time (PSI5 High Bit Rate)    | $t_{BIT\_HI}$            | 4.9875            | 5.2500             | 5.5125         | $\mu$ s | (7)     |
| 118 | Modulation Current (20% to 80% of $I_{MOD} - I_{IDLE}$ )  |                          |                   |                    |                |         |         |
| 119 | Rise Time   | $t_{RISE}$               | 324               | 463                | 602            | ns      | (3)     |
| 119 | Fall Time   | $t_{FALL}$               | 324               | 463                | 602            | ns      | (3)     |
| 120 | Position of bit transition (PSI5 Low Baud Rate)           | $t_{Bittrans\_LowBaud}$  | 49                | 50                 | 51             | %       | (7)     |
| 121 | Position of bit transition (PSI5 High Baud Rate)          | $t_{Bittrans\_HighBaud}$ | 47                | $\approx$          | 53             | %       | (7)     |
| 122 | Asynchronous Response Time                                | $t_{ASYNC}$              | —                 | $912 / f_{OSC}$    | $\approx$      | s       | (7)     |
| 123 | Time Slots  |                          |                   |                    |                |         |         |
| 123 | Minimum Programmed Time Slot (TIMESLOTx = 0x001)          | $t_{TIMESLOTx\_MIN}$     | —                 | $2 / f_{OSC}$      | —              | s       | (7, 9)  |
| 124 | Maximum Programmed Time Slot (TIMESLOTx = 0x3FF)          | $t_{TIMESLOTx\_MAX}$     | —                 | $2046 / f_{OSC}$   | —              | s       | (3, 7)  |
| 125 | Default Time Slot (TIMESLOTx = 0x000)                     | $t_{TIMESLOT\_DFLT}$     | —                 | $186 / f_{OSC}$    | —              | s       | (3, 7)  |
| 126 | Time Slot Resolution                                      | $t_{TIMESLOTx\_RES}$     | —                 | $2 / f_{OSC}$      | —              | s/LSB   | (7)     |
| 127 | Sync Pulse to Daisy Chain Default Time Slot 1             | $t_{TIMESLOT\_DC1}$      | —                 | $186 / f_{OSC}$    | —              | s       | (7)     |
| 128 | Sync Pulse to Daisy Chain Default Time Slot 2             | $t_{TIMESLOT\_DC2}$      | —                 | $768 / f_{OSC}$    | —              | s       | (7)     |
| 129 | Sync Pulse to Daisy Chain Default Time Slot 3             | $t_{TIMESLOT\_DC3}$      | —                 | $1400 / f_{OSC}$   | —              | s       | (7)     |
| 130 | Sync Pulse to Daisy Chain Programming Time Slot           | $t_{TIMESLOT\_DCP}$      | —                 | $186 / f_{OSC}$    | —              | s       | (7)     |
| 131 | Data Interpolation Latency (Figure 35, Figure 36)         | $t_{LAT\_INTERP}$        | $64 / f_{OSC}$    | —                  | $65 / f_{OSC}$ | s       | (7)     |
| 132 | Data Setup Time - Synchronous Mode (Figure 36)            | $t_{DATASETUP\_synch}$   | $48 / f_{OSC}$    | —                  | $56 / f_{OSC}$ | s       | (7)     |
| 132 | Data Setup Time - Double Sample Rate Mode (Figure 37)     | $t_{DATASETUP\_double}$  | $48 / f_{OSC}$    | —                  | $60 / f_{OSC}$ | s       | (7)     |
| 132 | Data Setup Time - 16-bit Resolution Mode (Figure 39)      | $t_{DATASETUP\_16}$      | $48 / f_{OSC}$    | —                  | $60 / f_{OSC}$ | s       | (7)     |
| 133 | Programming Mode Timing                                   |                          |                   |                    |                |         |         |
| 133 | Programming Mode Sync Pulse Period                        | $t_{S-S\_PM\_L}$         | 495               | 500                | 505            | $\mu$ s | (7)     |
| 134 | Programming Mode Command Timeout                          | $t_{PM\_TIMEOUT}$        | —                 | $4 * t_{S-S\_PM}$  | —              | $\mu$ s | (7)     |
| 135 | OTP Write Command to $V_{CC} = V_{PP}$                    | $t_{PROG\_HOLD}$         | —                 | —                  | 20             | $\mu$ s | (7)     |
| 136 | OTP Write CMD Response to OTP programming start           | $t_{PROG\_DELAY}$        | —                 | —                  | 40             | ms      | (7)     |
| 137 | Time to program one OTP bit                               | $t_{PROG\_BIT}$          | 512               | —                  | —              | $\mu$ s | (7)     |



## 2.7 Dynamic Electrical Characteristics - Signal Chain

$V_L \leq (V_{CC} - V_{SS}) \leq V_H$ ,  $T_L \leq T_A \leq T_H$ ,  $\Delta T \leq 25$  K/min, unless otherwise specified

| #   | Characteristic   | Symbol                   | Min   | Typ              | Max   | Units   |     |
|-----|--|--------------------------|-------|------------------|-------|---------|-----|
| 138 | Internal Oscillator Frequency *  | $f_{OSC}$                | 3.80  | 4                | 4.20  | MHz     | (1) |
| 139 | DSP Low-Pass Filter (Note15)<br>Cutoff frequency LPF0 (referenced to 0 Hz) *                               | $f_{C\_LPF0}$            | —     | 400              | —     | Hz      | (7) |
| 140 | Filter Order LPF0 *  | $O_{LPF0}$               | —     | 3                | —     | 1       | (7) |
| 141 | Cutoff frequency LPF1 (referenced to 0 Hz) *   | $f_{C\_LPF1}$            | —     | 400              | —     | Hz      | (7) |
| 142 | Filter Order LPF1 *  | $O_{LPF1}$               | —     | 4                | —     | 1       | (7) |
| 143 | DSP Offset Cancellation Low-Pass Filter (Note 15)<br>Offset Cancellation Low-Pass Filter Input Sample Rate | $t_{OC\_SampleRate}$     | —     | —                | —     | —       | (7) |
| 144 | Stage 1 Cutoff frequency, Startup Phase 1  | $f_{C\_OC10}$            | —     | 256              | —     | $\mu$ s | (7) |
| 145 | Stage 1 Filter Order, Startup Phase 1  | $O_{OC10}$               | —     | 10.0             | —     | Hz      | (7) |
| 146 | Stage 2 Cutoff frequency, Startup Phase 1  | $f_{C\_OC03}$            | —     | 1                | —     | 1       | (7) |
| 147 | Stage 2 Filter Order, Startup Phase 1  | $O_{OC03}$               | —     | 0.300            | —     | Hz      | (7) |
| 148 | Cutoff frequency, Option 0   | $f_{C\_OC0}$             | —     | 1                | —     | 1       | (7) |
| 149 | Filter Order, Option 0   | $O_{OC0}$                | —     | 0.100            | —     | Hz      | (7) |
| 150 | Cutoff frequency, Option 1   | $f_{C\_OC1}$             | —     | 1                | —     | 1       | (7) |
| 151 | Filter Order, Option 1   | $O_{OC1}$                | —     | 0.040            | —     | Hz      | (7) |
| 152 | Cutoff frequency, Option 2   | $f_{C\_OC2}$             | —     | 1                | —     | 1       | (7) |
| 153 | Filter Order, Option 2   | $O_{OC2}$                | —     | $f_{OSC} / 2e6$  | —     | s       | (7) |
| 154 | Offset Cancellation Output Update Rate (8-Bit Mode)  | $t_{offRate\_8}$         | —     | 0.125            | —     | LSB     | (7) |
| 155 | Offset Cancellation Output Step Size (8-Bit Mode)  | $OFF_{Step\_8}$          | —     | $f_{OSC} / 2e6$  | —     | s       | (7) |
| 156 | Offset Cancellation Output Update Rate (10-Bit Mode)   | $t_{offRate\_10}$        | —     | 0.5              | —     | LSB     | (7) |
| 157 | Offset Cancellation Output Step Size (10-Bit Mode)   | $OFF_{Step\_10}$         | —     | $f_{OSC} / 2000$ | —     | Hz      | (7) |
| 158 | Offset Monitor Update Frequency  | $OFFMON_{OSC}$           | —     | 4096             | —     | 1       | (7) |
| 158 | Offset Monitor Count Limit   | $OFFMON_{CNTLIMIT}$      | —     | 8192             | —     | 1       | (7) |
| 158 | Offset Monitor Counter Size  | $OFFMON_{CNTSIZE}$       | —     | —                | —     | —       | (7) |
| 159 | Sensing Element Natural Frequency<br>$\pm 60g$   | $f_{gcell\_X60}$         | 12651 | —                | 13871 | Hz      | (9) |
| 160 | $\pm 120g$   | $f_{gcell\_X120}$        | 12651 | —                | 13871 | Hz      | (9) |
| 161 | $\pm 240g$   | $f_{gcell\_X240}$        | 26000 | —                | 28700 | Hz      | (9) |
| 162 | $\pm 480g$   | $f_{gcell\_X480}$        | 26000 | —                | 28700 | Hz      | (9) |
| 163 | Sensing Element Rolloff Frequency (-3 db)<br>$\pm 60g$   | $f_{gcell\_X60}$         | 938   | —                | 2592  | Hz      | (9) |
| 164 | $\pm 120g$   | $f_{gcell\_X120}$        | 938   | —                | 2592  | Hz      | (9) |
| 165 | $\pm 240g$   | $f_{gcell\_X240}$        | 3952  | —                | 14370 | Hz      | (9) |
| 166 | $\pm 480g$   | $f_{gcell\_X480}$        | 3952  | —                | 14370 | Hz      | (9) |
| 167 | Sensing Element Damping Ratio<br>$\pm 60g$   | $\zeta_{gcell\_X60}$     | 2.760 | —                | 6.770 | —       | (9) |
| 168 | $\pm 120g$   | $\zeta_{gcell\_X120}$    | 2.760 | —                | 6.770 | —       | (9) |
| 169 | $\pm 240g$   | $\zeta_{gcell\_X240}$    | 1.260 | —                | 3.602 | —       | (9) |
| 170 | $\pm 480g$   | $\zeta_{gcell\_X480}$    | 1.260 | —                | 3.602 | —       | (9) |
| 171 | Sensing Element Delay (@100 Hz)<br>$\pm 60g$   | $f_{gcell\_delay\_X60}$  | 63    | —                | 170   | $\mu$ s | (9) |
| 172 | $\pm 120g$   | $f_{gcell\_delay\_X120}$ | 63    | —                | 170   | $\mu$ s | (9) |
| 173 | $\pm 240g$   | $f_{gcell\_delay\_X240}$ | 13    | —                | 40    | $\mu$ s | (9) |
| 174 | $\pm 480g$   | $f_{gcell\_delay\_X480}$ | 13    | —                | 40    | $\mu$ s | (9) |
| 175 | Package Resonance Frequency  | $f_{Package}$            | 100   | —                | —     | kHz     | (9) |

## 2.8 Dynamic Electrical Characteristics - Supply and SPI

$V_L \leq (V_{CC} - V_{SS}) \leq V_H$ ,  $T_L \leq T_A \leq T_H$ ,  $\Delta T \leq 25$  K/min, unless otherwise specified

| #   | Characteristic   | Symbol                 | Min  | Typ               | Max  | Units   |     |
|-----|--|------------------------|------|-------------------|------|---------|-----|
| 176 | Quiescent Current Settling Time (Power Applied to $I_q = I_{IDLE} \pm 2mA$ )   | $t_{SET}$              | —    | —                 | 5    | ms      | (3) |
| 177 | Reset Recovery Internal Delay (After internal POR)   | $t_{INT\_INIT}$        | —    | $16000 / f_{OSC}$ | —    | s       | (7) |
| 178 | $V_{CC}$ Micro-cut ( $C_{BUF}=C_{REG}=C_{REGA}=1 \mu F$ )<br>Survival Time ( $V_{CC}$ disconnect without Reset, $C_{BUF}=C_{REG}=C_{REGA}=700$ nF)         | $t_{VCC\_MICROCUTmin}$ | 30   | —                 | —    | $\mu s$ | (3) |
| 179 | Survival Time ( $V_{CC}$ disconnect without Reset, $C_{BUF}=C_{REG}=C_{REGA}=1 \mu F$ )  | $t_{VCC\_MICROCUT}$    | 50   | —                 | —    | $\mu s$ | (3) |
| 180 | Reset Time ( $V_{CC}$ disconnect above which Reset is guaranteed)  | $t_{VCC\_RESET}$       | —    | —                 | 1000 | $\mu s$ | (3) |
| 181 | $V_{BUF}$ , Capacitor Monitor Disconnect Time (Figure 10)<br>POR to first Capacitor Test Disconnect  | $t_{POR\_CAPTEST}$     | —    | $12000 / f_{OSC}$ | —    | s       | (7) |
| 182 | Disconnect Time (Figure 10)  | $t_{CAPTEST\_TIME}$    | —    | $6 / f_{OSC}$     | —    | s       | (7) |
| 183 | Disconnect Delay, Asynchronous Mode (Figure 10)  | $t_{CAPTEST\_ADLY}$    | —    | $688 / f_{OSC}$   | —    | s       | (7) |
| 184 | Disconnect Delay, Synchronous Mode (Figure 11)   | $t_{CAPTEST\_SDLY}$    | —    | $72 / f_{OSC}$    | —    | s       | (7) |
| 185 | $V_{REG}$ , $V_{REGA}$ Capacitor Monitor<br>POR to first Capacitor Test Disconnect   | $t_{POR\_CAPTEST}$     | —    | $12000 / f_{OSC}$ | —    | s       | (7) |
| 186 | Disconnect Time  | $t_{CAPTEST\_TIME}$    | —    | $6 / f_{OSC}$     | —    | s       | (7) |
| 187 | Disconnect Rate  | $t_{CAPTEST\_RATE}$    | —    | $256 / f_{OSC}$   | —    | s       | (7) |
| 188 | Serial Interface Timing (See Figure 7, $C_{DOUT} \leq 80$ pF, $R_{DOUT} \geq 10$ k $\Omega$ )<br>Clock (SCLK) period (10% of $V_{CC}$ to 10% of $V_{CC}$ ) | $t_{SCLK}$             | 320  | —                 | —    | ns      | (9) |
| 189 | Clock (SCLK) high time (90% of $V_{CC}$ to 90% of $V_{CC}$ )   | $t_{SCLKH}$            | 120  | —                 | —    | ns      | (9) |
| 190 | Clock (SCLK) low time (10% of $V_{CC}$ to 10% of $V_{CC}$ )  | $t_{SCLKL}$            | 120  | —                 | —    | ns      | (9) |
| 191 | Clock (SCLK) rise time (10% of $V_{CC}$ to 90% of $V_{CC}$ )   | $t_{SCLKR}$            | —    | 15                | 40   | ns      | (9) |
| 192 | Clock (SCLK) fall time (90% of $V_{CC}$ to 10% of $V_{CC}$ )   | $t_{SCLKF}$            | —    | 15                | 28   | ns      | (9) |
| 193 | $\overline{CS}$ asserted to SCLK high ( $\overline{CS} = 10\%$ of $V_{CC}$ to SCLK = 10% of $V_{CC}$ )   | $t_{LEAD}$             | 60   | —                 | —    | ns      | (9) |
| 194 | $\overline{CS}$ asserted to $D_{OUT}$ valid ( $\overline{CS} = 10\%$ of $V_{CC}$ to $D_{OUT} = 10/90\%$ of $V_{CC}$ )                                      | $t_{ACCESS}$           | —    | —                 | 60   | ns      | (9) |
| 195 | Data setup time ( $D_{IN} = 10/90\%$ of $V_{CC}$ to SCLK = 10% of $V_{CC}$ )   | $t_{SETUP}$            | 20   | —                 | —    | ns      | (9) |
| 196 | $D_{IN}$ Data hold time (SCLK = 90% of $V_{CC}$ to $D_{IN} = 10/90\%$ of $V_{CC}$ )  | $t_{HOLD\_IN}$         | 10   | —                 | —    | ns      | (9) |
| 197 | $D_{OUT}$ Data hold time (SCLK = 90% of $V_{CC}$ to $D_{OUT} = 10/90\%$ of $V_{CC}$ )  | $t_{HOLD\_OUT}$        | 0    | —                 | —    | ns      | (9) |
| 198 | SCLK low to data valid (SCLK = 10% of $V_{CC}$ to $D_{OUT} = 10/90\%$ of $V_{CC}$ )  | $t_{VALID}$            | —    | —                 | 50   | ns      | (9) |
| 199 | SCLK low to $\overline{CS}$ high (SCLK = 10% of $V_{CC}$ to $\overline{CS} = 90\%$ of $V_{CC}$ )   | $t_{LAG}$              | 60   | —                 | —    | ns      | (9) |
| 200 | $\overline{CS}$ high to $D_{OUT}$ disable ( $\overline{CS} = 90\%$ of $V_{CC}$ to $D_{OUT} = Hi Z$ )   | $t_{DISABLE}$          | —    | —                 | 60   | ns      | (9) |
| 201 | $\overline{CS}$ high to $\overline{CS}$ low ( $\overline{CS} = 90\%$ of $V_{CC}$ to $\overline{CS} = 90\%$ of $V_{CC}$ )                                   | $t_{CSN}$              | 1000 | —                 | —    | ns      | (9) |

- Parameters tested 100% at final test.
- Parameters tested 100% at wafer probe.
- Verified by characterization
- \* Indicates critical characteristic.
- Verified by qualification testing.
- Parameters verified by pass/fail testing in production.
- Functionality guaranteed by modeling, simulation and/or design verification. Circuit integrity assured through IDDQ and scan testing. Timing is determined by internal system clock frequency.
- N/A.
- Verified by simulation.
- N/A.
- Measured at  $V_{CC}$  pin;  $V_{SYNC}$  guaranteed across full  $V_{IDLE}$  range.
- Self-Test repeats on failure up to a  $ST\_RPT_{MAX}$  times before transmitting Sensor Error Message.
- N/A.
- Thermal resistance between the die junction and the exposed pad; cold plate is attached to the exposed pad.
- Filter cutoff frequencies are directly dependent upon the internal oscillator frequency.

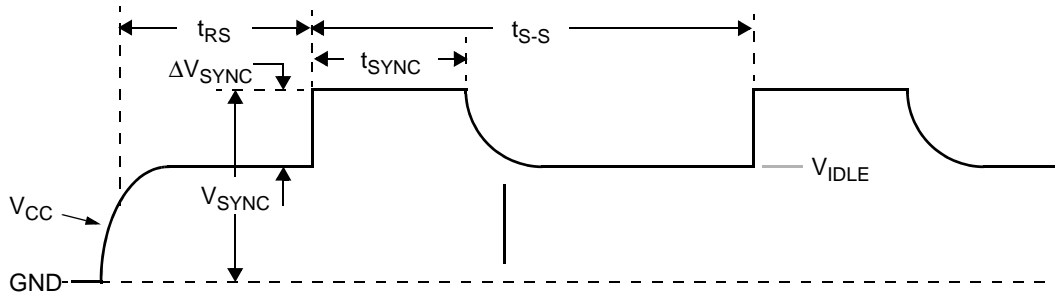


Figure 5. Sync Pulse Characteristics

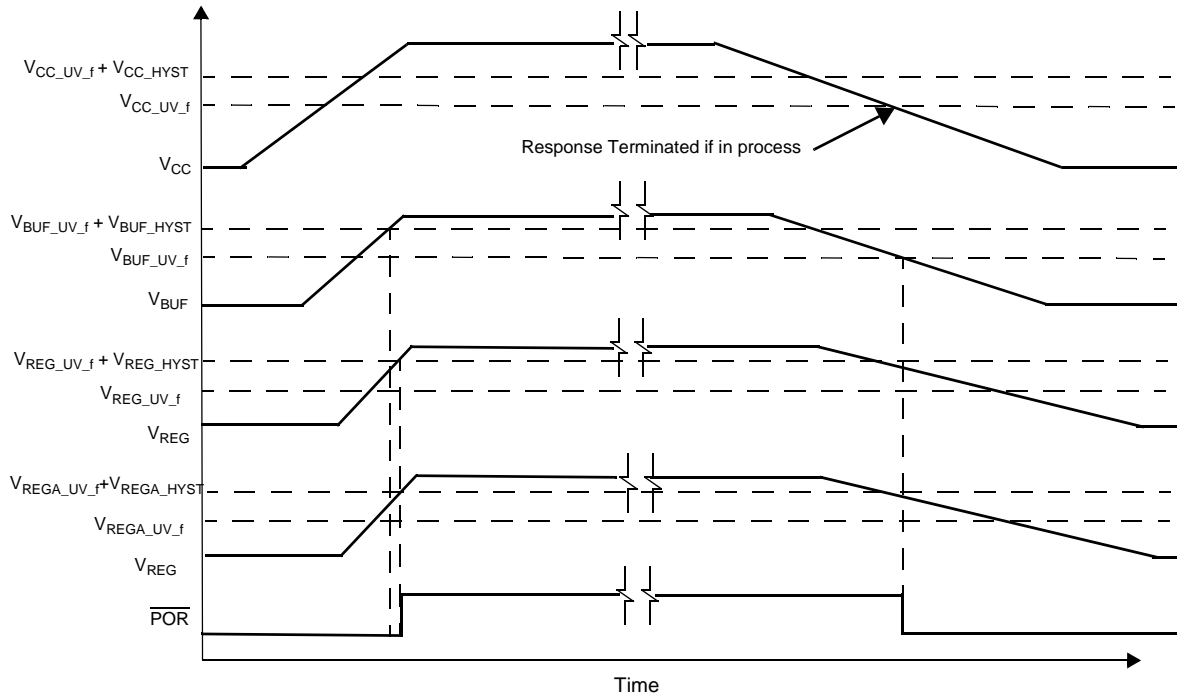


Figure 6. Powerup Timing

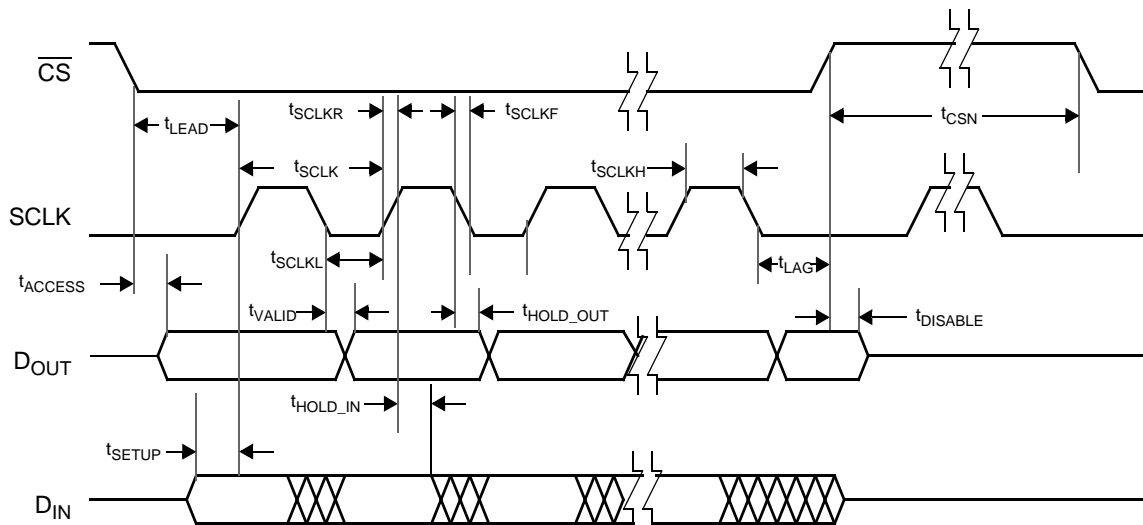


Figure 7. Serial Interface Timing

## 3 Functional Description

### 3.1 User Accessible Data Array

A user accessible data array allows for each device to be customized. The array consists of an OTP factory programmable block, an OTP user programmable block, and read only registers for device status. The OTP blocks incorporate independent CRC circuitry for fault detection (reference [Section 3.2](#)). Portions of the factory programmable array are reserved for factory-programmed trim values. The user accessible data is shown in [Table 2](#).

**Table 2. User Accessible Data**

| Byte Addr (XLong Msg) | Register | Nibble Addr (Long Msg) | Bit Function |              |              |              | Nibble Addr (Long Msg) | Bit Function |              |              |              | Type |
|-----------------------|----------|------------------------|--------------|--------------|--------------|--------------|------------------------|--------------|--------------|--------------|--------------|------|
|                       |          |                        | 7            | 6            | 5            | 4            |                        | 3            | 2            | 1            | 0            |      |
| \$00                  | SN0      | \$01                   | SN[7]        | SN[6]        | SN[5]        | SN[4]        | \$00                   | SN[3]        | SN[2]        | SN[1]        | SN[0]        | F, R |
| \$01                  | SN1      | \$03                   | SN[15]       | SN[14]       | SN[13]       | SN[12]       | \$02                   | SN[11]       | SN[10]       | SN[9]        | SN[8]        |      |
| \$02                  | SN2      | \$05                   | SN[23]       | SN[22]       | SN[21]       | SN[20]       | \$04                   | SN[19]       | SN[18]       | SN[17]       | SN[16]       |      |
| \$03                  | SN3      | \$07                   | SN[31]       | SN[30]       | SN[29]       | SN[28]       | \$06                   | SN[27]       | SN[26]       | SN[25]       | SN[24]       |      |
| \$04                  | DEVCFG1  | \$09                   | 0            | 0            | 1            | 0            | \$08                   | 0            | RNG[2]       | RNG[1]       | RNG[0]       | U, R |
| \$05                  | DEVCFG2  | \$0B                   | LOCK_U       | PCM          | SYNC_PD      | LATENCY      | \$0A                   | DATASIZE     | BLANKTIME    | P_CRC        | BAUD         |      |
| \$06                  | DEVCFG3  | \$0D                   | TRANS_MD[1]  | TRANS_MD[0]  | LPF[1]       | LPF[0]       | \$0C                   | TIMESLOTB[9] | TIMESLOTB[8] | TIMESLOTA[9] | TIMESLOTA[8] |      |
| \$07                  | DEVCFG4  | \$0F                   | TIMESLOTA[7] | TIMESLOTA[6] | TIMESLOTA[5] | TIMESLOTA[4] | \$0E                   | TIMESLOTA[3] | TIMESLOTA[2] | TIMESLOTA[1] | TIMESLOTA[0] |      |
| \$08                  | DEVCFG5  | \$11                   | TIMESLOTB[7] | TIMESLOTB[6] | TIMESLOTB[5] | TIMESLOTB[4] | \$10                   | TIMESLOTB[3] | TIMESLOTB[2] | TIMESLOTB[1] | TIMESLOTB[0] |      |
| \$09                  | DEVCFG6  | \$13                   | INIT2_EXT    | ASYN         | U_DIR[1]     | U_DIR[0]     | \$12                   | U_REV[3]     | U_REV[2]     | U_REV[1]     | U_REV[0]     |      |
| \$0A                  | DEVCFG7  | \$15                   | MONTH[3]     | MONTH[2]     | MONTH[1]     | MONTH[0]     | \$14                   | YEAR[3]      | YEAR[2]      | YEAR[1]      | YEAR[0]      |      |
| \$0B                  | DEVCFG8  | \$17                   | CRC_U[2]     | CRC_U[1]     | CRC_U[0]     | DAY[4]       | \$16                   | DAY[3]       | DAY[2]       | DAY[1]       | DAY[0]       |      |
| \$0C                  | SC       | \$19                   | 0            | TM_B         | RESERVED     | IDEN_B       | \$18                   | OC_INIT_B    | IDEF_B       | OFF_B        | TEMPF_B      |      |
|                       |          |                        |              |              |              |              |                        |              |              |              |              |      |

Type codes

- F: Freescale programmed OTP location
- U: User programmable OTP location via PS15
- R: Readable register via PS15

#### 3.1.1 Device Serial Number Registers

A unique serial number is programmed into the serial number registers of each device during manufacturing. The serial number is composed of the following information:

| Bit Range | Content       |
|-----------|---------------|
| SN[12:0]  | Serial Number |
| SN[31:13] | Lot Number    |

Serial numbers begin at 1 for all produced devices in each lot and are sequentially assigned. Lot numbers begin at 1 and are sequentially assigned. No lot will contain more devices than can be uniquely identified by the 13-bit serial number. Depending on lot size and quantities, all possible lot numbers and serial numbers may not be assigned.

The serial number registers are included in the factory programmed OTP CRC verification. Reference [Section 3.2.1](#) for details regarding the CRC verification. Beyond this, the contents of the serial number registers have no impact on device operation or performance, and are only used for traceability purposes.

### 3.1.2 Factory Configuration Register (DEVCFG1)

The factory configuration register is a factory programmed, read only register which contains user specific device configuration information. The factory configuration register is included in the factory programmed OTP CRC verification.

| Location        |          | Bit |   |   |   |   |        |        |        |
|-----------------|----------|-----|---|---|---|---|--------|--------|--------|
| Address         | Register | 7   | 6 | 5 | 4 | 3 | 2      | 1      | 0      |
| \$04            | DEVCFG1  | 0   | 0 | 1 | 0 | 0 | RNG[2] | RNG[1] | RNG[0] |
| Factory Default |          | 0   | 0 | 1 | 0 | 0 | 0      | 0      | 0      |

#### 3.1.2.1 Range Indication Bits (RNG[2:0])

The range indication bits are factory programmed and indicate the full-scale range of the device as shown below.

| RNG[2] | RNG[1] | RNG[0] | Full-Scale Acceleration Range | g-Cell Design | PSI5 Init Data Transmission (D9) Reference <a href="#">Table 12</a> |
|--------|--------|--------|-------------------------------|---------------|---|
| 0      | 0      | 0      | Reserved                      | N/A           | 0001  |
| 0      | 0      | 1      | ±60g                          | Medium-g      | 0111  |
| 0      | 1      | 0      | Reserved                      | N/A           | 0010  |
| 0      | 1      | 1      | ±120 g                        | Medium-g      | 1000  |
| 1      | 0      | 0      | Reserved                      | N/A           | 0011  |
| 1      | 0      | 1      | ±240 g                        | High-g        | 1001  |
| 1      | 1      | 0      | Reserved                      | N/A           | 0100  |
| 1      | 1      | 1      | ±480 g                        | High-g        | 1010  |

### 3.1.3 Device Configuration 2 Register (DEVCFG2)

Device configuration register 2 is a user programmable OTP register that contains device configuration information.

| Location        |          | Bit    |     |         |         |          |           |       |      |
|-----------------|----------|--------|-----|---------|---------|----------|-----------|-------|------|
| Address         | Register | 7      | 6   | 5       | 4       | 3        | 2         | 1     | 0    |
| \$05            | DEVCFG2  | LOCK_U | PCM | SYNC_PD | LATENCY | DATASIZE | BLANKTIME | P_CRC | BAUD |
| Factory Default |          | 0      | 0   | 0       | 0       | 0        | 0         | 0     | 0    |

#### 3.1.3.1 User Configuration Lock Bit (LOCK\_U)

The LOCK\_U bit allows the user to prevent writes to the user configuration array once programming is completed.

If the LOCK\_U bit is written to '1' when a PSI5 "Execute Programming of NVM" command is executed, the LOCK\_U OTP bit will be programmed. Upon completion of the OTP programming, an OTP readout will be executed, locking the array from future OTP writes. The User Programmable OTP Array CRC Verification is also activated (Reference [Section 3.2.2](#)).

#### 3.1.3.2 PCM Enable Bit (PCM)

The PCM bit enables the PCM output pin. When the PCM bit is set, the PCM output pin is active and outputs a Pulse Code Modulated signal proportional to the acceleration response. Reference [Section 3.5.3.7](#) for more information regarding the PCM output. When the PCM bit is cleared, the PCM output pin is actively pulled low.

| PCM | PCM Output          |
|-----|---------------------|
| 0   | Actively Pulled Low |
| 1   | PCM Signal Enabled  |

### 3.1.3.3 Sync Pulse Pulldown Enable Bit (SYNC\_PD)

The sync pulse pulldown enable bit selects if the sync pulse pulldown is enabled once a sync pulse is detected. Reference [Section 4.2.1.2](#) for more information regarding the sync pulse pulldown.

| SYNC_PD | Sync Pulse Pulldown |
|---------|---------------------|
| 0       | Disabled            |
| 1       | Enabled             |

If Daisy Chain Mode is enabled, the Sync Pulse Pulldown is enabled as listed below:

| SYNC_PD | Daisy Chain Address Programmed | “Run Mode” Command Received | Daisy Chain Address = ‘001’ | Sync Pulse Pulldown |
|---------|--------------------------------|-----------------------------|-----------------------------|---------------------|
| 0       | x                              | x                           | x                           | Disabled            |
| 1       | No                             | x                           | x                           | Enabled             |
| 1       | Yes                            | No                          | x                           | Disabled            |
| 1       | Yes                            | Yes                         | No                          | Disabled            |
| 1       | Yes                            | Yes                         | Yes                         | Enabled             |

### 3.1.3.4 Latency Selection Bit (LATENCY)

The latency selection bit selects between one of two data latency methods to accommodate synchronized sampling or simultaneous sampling. Reference [Section 4.5](#) for more information regarding latency and data synchronization.

| Latency | Data Latency  |
|---------|---|
| 0       | Simultaneous Sampling Mode (Latency relative to Sync Pulse) |
| 1       | Synchronous Sampling Mode (Latency relative to Time Slot)   |

### 3.1.3.5 Data Size Selection Bit (DATASIZE)

The data size selection bit selects one of two data lengths for the PSI5 response message as shown below.

| DATASIZE | Data Length |
|----------|-------------|
| 0        | 10 Bits     |
| 1        | 8 Bits      |

### 3.1.3.6 PSI5 Sync Pulse Blanking Time Selection Bit (BLANKTIME)

The PSI5 sync pulse blanking time selection bit selects the timing for ignoring sync pulses after successful reception of a sync pulse. Reference [Section 4.2.1.1](#) for details regarding sync pulse detection and blanking.

| BLANKTIME | Blanking Time Method  |
|-----------|---|
| 0         | Maximum of $t_{\text{SYNC\_OFF\_500}}$ or Response Transmission Complete          |
| 1         | Blanking Time determined by end of response transmission for programmed time slot |

### 3.1.3.7 PSI5 Response Message Error Detection Selection Bit (P\_CRC)

The PSI5 response message error detection selection bit selects either even parity, or a 3-Bit CRC for error detection of the PSI5 response message. Reference [Section 4.3.3](#) for details regarding response message error detection.

| P_CRC | Parity or CRC |
|-------|---------------|
| 0     | Parity        |
| 1     | CRC           |

**Note:** The PSI5 specification recommends parity for data lengths of 10 bits or less.

### 3.1.3.8 Baud Rate Selection Bit (BAUD)

The baud rate selection bit selects one of two PSI5 baud rates as shown below. Reference [Section 2.6](#) for baud rate timing specifications.

| BAUD | Baud Rate                    |
|------|------------------------------|
| 0    | Low Baud Rate (125 kBaud)    |
| 1    | High Baud Rate (190.5 kBaud) |

### 3.1.4 Device Configuration Registers (DEVCFG3, DEVCFG4, DEVCFG5)

Device configuration registers 3, 4, and 5 are user programmable OTP registers which contain device configuration information.

| Location        |          | Bit          |              |              |              |              |              |              |              |
|-----------------|----------|--------------|--------------|--------------|--------------|--------------|--------------|--------------|--------------|
| Address         | Register | 7            | 6            | 5            | 4            | 3            | 2            | 1            | 0            |
| \$06            | DEVCFG3  | TRANS_MD[1]  | TRANS_MD[0]  | LPF[1]       | LPF[0]       | TIMESLOTB[9] | TIMESLOTB[8] | TIMESLOTA[9] | TIMESLOTA[8] |
| \$07            | DEVCFG4  | TIMESLOTA[7] | TIMESLOTA[6] | TIMESLOTA[5] | TIMESLOTA[4] | TIMESLOTA[3] | TIMESLOTA[2] | TIMESLOTA[1] | TIMESLOTA[0] |
| \$08            | DEVCFG5  | TIMESLOTB[7] | TIMESLOTB[6] | TIMESLOTB[5] | TIMESLOTB[4] | TIMESLOTB[3] | TIMESLOTB[2] | TIMESLOTB[1] | TIMESLOTB[0] |
| Factory Default |          | 0            | 0            | 0            | 0            | 0            | 0            | 0            | 0            |

#### 3.1.4.1 PSI5 Transmission Mode Selection Bits (TRANS\_MD[1:0])

The PSI5 transmission mode selection bits select the PSI5 transmission mode as shown below.

| TRANS_MD[1] | TRANS_MD[0] | Operating Mode                                      | Reference                       |
|-------------|-------------|---|---------------------------------|
| 0           | 0           | Normal Mode (Asynchronous or Parallel, Synchronous) | <a href="#">Section 4.5.1</a>   |
| 0           | 1           | Synchronous Double Sample Rate Mode                 | <a href="#">Section 4.5.1.3</a> |
| 1           | 0           | 16-bit Resolution Mode (2 10-bit Responses)         | <a href="#">Section 4.5.2</a>   |
| 1           | 1           | Daisy Chain Mode                                    | <a href="#">Section 4.5.4</a>   |

#### 3.1.4.2 Low-Pass Filter Selection Bit (LPF[1:0])

The low-pass filter selection bits select the low-pass filter for the acceleration signal as described below:

| LPF[1] | LPF[0] | Low-Pass Filter Selected |
|--------|--------|--------------------------|
| 0      | 0      | 400 Hz, 3-Pole           |
| 0      | 1      | 400 Hz, 4-Pole           |
| 1      | 0      | Reserved                 |
| 1      | 1      | Reserved                 |

#### 3.1.4.3 TimeSlot Selection Bits (TIMESLOTx[9:0])

The timeslot selection bits select the time slot(s) to be used for data transmission. Reference [Section 4.5](#) for details regarding PSI5 transmission modes and time slots. Accepted time slot values are 0.5  $\mu$ s to 511.5  $\mu$ s in 0.5  $\mu$ s increments. Care must be taken to prevent from programming time slots which violate the PSI5 Version 1.3 specification, or time slots which will cause data contention.

| TIMESLOTx[9:0] | ASYNCR Bit | Time Slot   | Reference                       |
|----------------|------------|---|---------------------------------|
| 00 0000 0000   | 0          | Default Time Slot ( $t_{TIMESLOT\_DFLT}$ ) from start of Sync Pulse ( $t_{TRIG}$ )    | <a href="#">Section 4.5</a>     |
|                | 1          | Asynchronous Mode   | <a href="#">Section 4.5.1.1</a> |
| Non-Zero       | N/A        | TimeSlot Definition from start of Sync Pulse ( $t_{TRIG}$ ) in 0.5 $\mu$ s Increments | <a href="#">Section 4.5</a>     |

**Note:** TIMESLOTB is only used for Synchronous Double Sample Rate Mode and 16-Bit Resolution Mode.

### 3.1.5 Device Configuration Registers 6, 7, and 8 (DEVCFG6, DEVCFG7, DEVCFG8)

Device configuration registers 6, 7 and 8 are user programmable OTP registers which contain device configuration and user specific manufacturing information. The user specific manufacturing information bits have no impact on the performance, but are transmitted during the PSI5 initialization phase 2 in 10-bit mode.

| Location        |          | Bit       |          |          |          |          |          |          |          |
|-----------------|----------|-----------|----------|----------|----------|----------|----------|----------|----------|
| Address         | Register | 7         | 6        | 5        | 4        | 3        | 2        | 1        | 0        |
| \$09            | DEVCFG6  | INIT2_EXT | ASYNC    | U_DIR[1] | U_DIR[0] | U_REV[3] | U_REV[2] | U_REV[1] | U_REV[0] |
| \$0A            | DEVCFG7  | MONTH[3]  | MONTH[2] | MONTH[1] | MONTH[0] | YEAR[3]  | YEAR[2]  | YEAR[1]  | YEAR[0]  |
| \$0B            | DEVCFG8  | CRC_U[2]  | CRC_U[1] | CRC_U[0] | DAY[4]   | DAY[3]   | DAY[2]   | DAY[1]   | DAY[0]   |
| Factory Default |          | 0         | 0        | 0        | 0        | 0        | 0        | 0        | 0        |

#### 3.1.5.1 Initialization Phase 2 Data Extension Bit (INIT2\_EXT)

The initialization phase 2 data extension bit enables or disables data transmission in data fields D27 through D32 of PSI5 Initialization Phase 2 as shown below.

| INIT2_EXT | Description   |
|-----------|---|
| 0         | D27 through D32 are set to "0000"   |
| 1         | D27 through D32 are transmitted as defined in <a href="#">Section 4.4.2.1</a> |

#### 3.1.5.2 Asynchronous Mode Bit (ASYNC)

The asynchronous mode bit enables asynchronous data transmission as described in [Section 3.1.4.3](#).

#### 3.1.5.3 User Sensing Direction (U\_DIR[1:0])

The user sensing direction registers are user programmable OTP registers which contain the module level sensing direction. This data is transmitted to the main ECU during PSI5 initialization phase 2 in 10-bit mode, as described in [Section 4.4.2.1](#).

| U_DIR[1] | U_DIR[0] | Module Sensing Direction As Defined in AKLV27      | PSI5 Init Data Transmission (D8) Reference <a href="#">Table 12</a> |
|----------|----------|--|---|
| 0        | 0        | Connector Direction ( $\beta$ )                    | 0000  |
| 0        | 1        | Bushing Direction ( $\alpha$ )                     | 0100  |
| 1        | 0        | Perpendicular to $\alpha$ and $\beta$ ( $\gamma$ ) | 1000  |
| 1        | 1        | Not used   | 1100  |

#### 3.1.5.4 User Product Revision (U\_REV[3:0])

The user product revision registers are user programmable OTP registers which contain the module production revision. The device supports up to 16 product revisions. This data is transmitted to the main ECU during PSI5 initialization phase 2 in 10-bit mode, as described in [Section 4.4.2.1](#).



### 3.1.5.5 User Production Date Information (YEAR[3:0], MONTH[3:0], DAY[4:0])

The user production date information registers are user programmable OTP registers which contain the module production date. The table below shows the relationship between the stored values and the production date.

| Programmed Value | Decoded Value | Julian Date Value |
|------------------|---------------|-------------------|
| YEAR[3:0]        | Year          | JY[6:0]           |
| 0000             | 2009          | 0001001           |
| •                | •             | •                 |
| •                | •             | •                 |
| •                | •             | •                 |
| 1111             | 2024          | 0011000           |
| MONTH[3:0]       | Month         | JM[3:0]           |
| 0000             | N/A           | 0000              |
| 0001             | January       | 0001              |
| •                | •             | •                 |
| •                | •             | •                 |
| •                | •             | •                 |
| 1100             | December      | 1100              |
| •                | •             | •                 |
| •                | •             | •                 |
| •                | •             | •                 |
| 1111             | N/A           | N/A               |
| DAY[4:0]         | Day           | JD[4:0]           |
| 00000            | N/A           | 00000             |
| 00001            | Day 1         | 00001             |
| •                | •             | •                 |
| •                | •             | •                 |
| •                | •             | •                 |
| 11111            | Day 31        | 11111             |

The Julian date value is transmitted to the main ECU during PSI5 initialization phase 2 in 10-bit mode, as described in [Section 4.4.2.2](#).

### 3.1.5.6 User Configuration CRC (CRC\_U[2:0])

The user configuration CRC bits contain the 3-bit CRC used for verification of the user programmable OTP array. Reference [Section 3.2.2](#) for information regarding the CRC for the user programmable OTP array.

### 3.1.6 Status Check Register (SC)

The status check register is a read-only register containing device status information.

| Location |          | Bit |      |          |        |           |        |       |         |
|----------|----------|-----|------|----------|--------|-----------|--------|-------|---------|
| Address  | Register | 7   | 6    | 5        | 4      | 3         | 2      | 1     | 0       |
| \$0C     | SC       | 0   | TM_B | RESERVED | IDEN_B | OC_INIT_B | IDEF_B | OFF_B | TEMPF_B |

#### 3.1.6.1 Test Mode Flag (TM\_B)

The test mode bit is cleared if the device is in test mode.

| TM_B | Operating Mode          |
|------|-------------------------|
| 0    | Test Mode is active     |
| 1    | Test Mode is not active |

#### 3.1.6.2 Internal Data Error Flag (IDEN\_B)

The internal data error bit is cleared if a register data CRC fault is detected in the user accessible OTP array. A device reset is required to clear the error.

| IDEN_B | Error Condition                          |
|--------|--|
| 0      | CRC error in user programmable OTP array |
| 1      | No error detected                        |

#### 3.1.6.3 Offset Cancellation Init Status Flag (OC\_INIT\_B)

The offset cancellation initialization status bit is set once the offset cancellation initialization process is complete, and the filter has switched to normal mode.

| OC_INIT_B | Error Condition  |
|-----------|--|
| 0         | Offset Cancellation in initialization  |
| 1         | Offset Cancellation initialization complete ( $t_{OC1}$ and $t_{OC2}$ expired) |

#### 3.1.6.4 Internal Factory Data Error Flag (IDEF\_B)

The internal factory data error bit is cleared if a register data CRC fault is detected in the factory programmable OTP array. A device reset is required to clear the error.

| IDEF_B | Error Condition                             |
|--------|---|
| 0      | CRC error in factory programmable OTP array |
| 1      | No error detected                           |

#### 3.1.6.5 Offset Error Flag (OFF\_B)

The offset error flag is cleared if the acceleration signal reaches the offset limit.

| OFF_B | Error Condition       |
|-------|-----------------------|
| 0     | Offset error detected |
| 1     | No error detected     |

#### 3.1.6.6 Temperature Error Flag (TEMPF\_B)

The temperature error flag is cleared if an over or under temperature condition exists.

| TEMPF_B | Error Condition                                     |
|---------|---|
| 0       | Over- or Under-Temperature error condition detected |
| 1       | No error detected                                   |

## 3.2 OTP Array CRC Verification

### 3.2.1 Factory Programmed OTP Array CRC Verification

The Factory programmed OTP array is verified for errors with a 3-bit CRC. The CRC verification is enabled only when the factory programmed array is locked. The CRC verification uses a generator polynomial of  $g(x) = X^3 + X + 1$ , with a seed value = '111'.

Once the CRC verification is enabled, the CRC is continuously calculated on all bits in registers \$00, \$01, \$02, \$03, and \$04 and on the factory programmable device configuration bits with the exception of the factory lock bit. Bits are fed in from right to left (LSB first), and top to bottom (lower addresses first) in the register map. The calculated CRC is then compared against the stored 3 bit CRC. If a CRC error is detected in the OTP array, the IDEF\_B bit is cleared in the SC register.

The CRC verification is completed on the memory registers which hold a copy of the fuse array values, not the fuse array values.

### 3.2.2 User Programmable OTP Array CRC Verification

The user programmable OTP array is independently verified for errors with a 3-bit CRC. The CRC verification is enabled only when the LOCK\_U bit in the user data register array is set after POR, or after a PSI5 Programming Mode "Execute Programming of NVM" command. The CRC verification uses a generator polynomial of  $g(x) = X^3 + X + 1$ , with a seed value = '111'. The calculated CRC is compared against a user programmable 3-bit CRC, CRC\_U[2:0], which is also included in the user programmable array.

Once the CRC verification is enabled, the CRC is continuously calculated on all bits in registers \$05, \$06, \$07, \$08, \$09, \$0A, and \$0B with the exception of the LOCK\_U bit and the CRC\_U[2:0] bits. Bits are fed in from right to left (LSB first), and top to bottom (lower addresses first) in the register map. The calculated CRC is then compared against the CRC\_U[2:0] bits. If a CRC mismatch is detected, the IDEN\_B bit is cleared in the SC register.

The CRC verification is completed on the memory registers which hold a copy of the fuse array values, not the fuse array values.

### 3.3 Voltage Regulators

The device derives its internal supply voltage from the  $V_{CC}$  and  $V_{SS}$  pins. Separate internal voltage regulators are used for the analog ( $V_{REGA}$ ) and digital circuitry ( $V_{REG}$ ). The analog and digital regulators are supplied by a buffer regulator ( $V_{BUF}$ ) to provide immunity from EMC and supply dropouts on  $V_{CC}$ . External filter capacitors are required, as shown in Figure 1.

The voltage regulator module includes voltage monitoring circuitry which holds the device in reset following power-on until the internal voltages have increased above the undervoltage detection thresholds. The voltage monitor asserts internal reset when the external supply or internally regulated voltages fall below the undervoltage detection thresholds. A reference generator provides a reference voltage for the  $\Sigma\Delta$  converter.

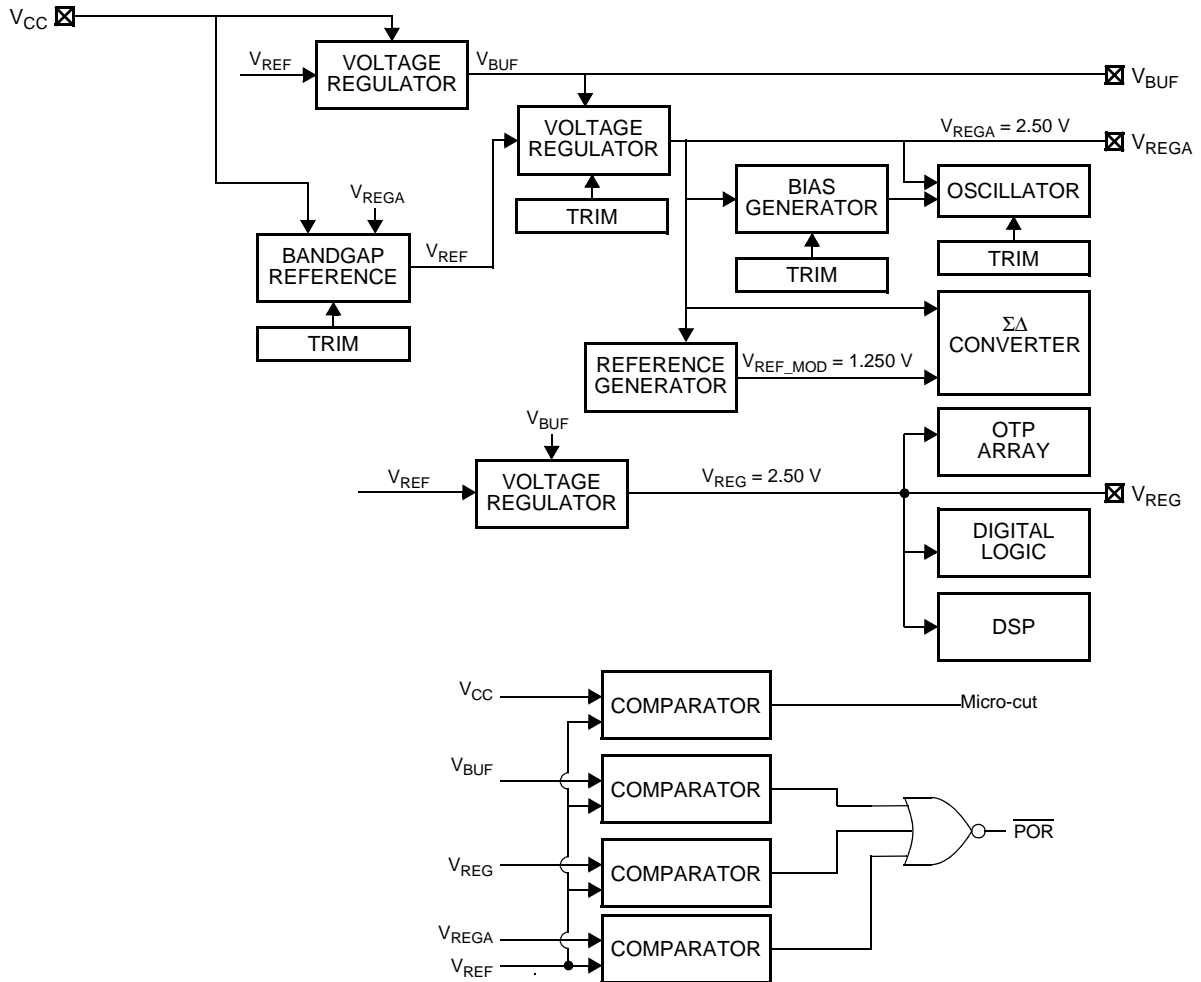


Figure 8. Voltage Regulation and Monitoring

### 3.3.1 $V_{BUF}$ , $V_{REG}$ and $V_{REGA}$ Regulator Capacitor

The internal regulators require an external capacitor between each of the regulator pins ( $V_{BUF}$ ,  $V_{REG}$ , or  $V_{REGA}$ ) and the associated the  $V_{SS}$  /  $V_{SSA}$  pin for stability. [Figure 1](#) shows the recommended types and values for each of these capacitors.

### 3.3.2 $V_{CC}$ , $V_{BUF}$ , $V_{REG}$ and $V_{REGA}$ Undervoltage Monitor

A circuit is incorporated to monitor the supply voltage ( $V_{CC}$ ) and all internally regulated voltages ( $V_{BUF}$ ,  $V_{REG}$  and  $V_{REGA}$ ). If any of internal regulator voltages fall below the specified undervoltage thresholds in [Section 2](#), the device will be reset. If  $V_{CC}$  falls below the specified threshold,  $PSI5$  transmissions are terminated for the present response. Once the supply returns above the threshold, the device will respond to the next detected sync pulse. Reference [Figure 9](#).

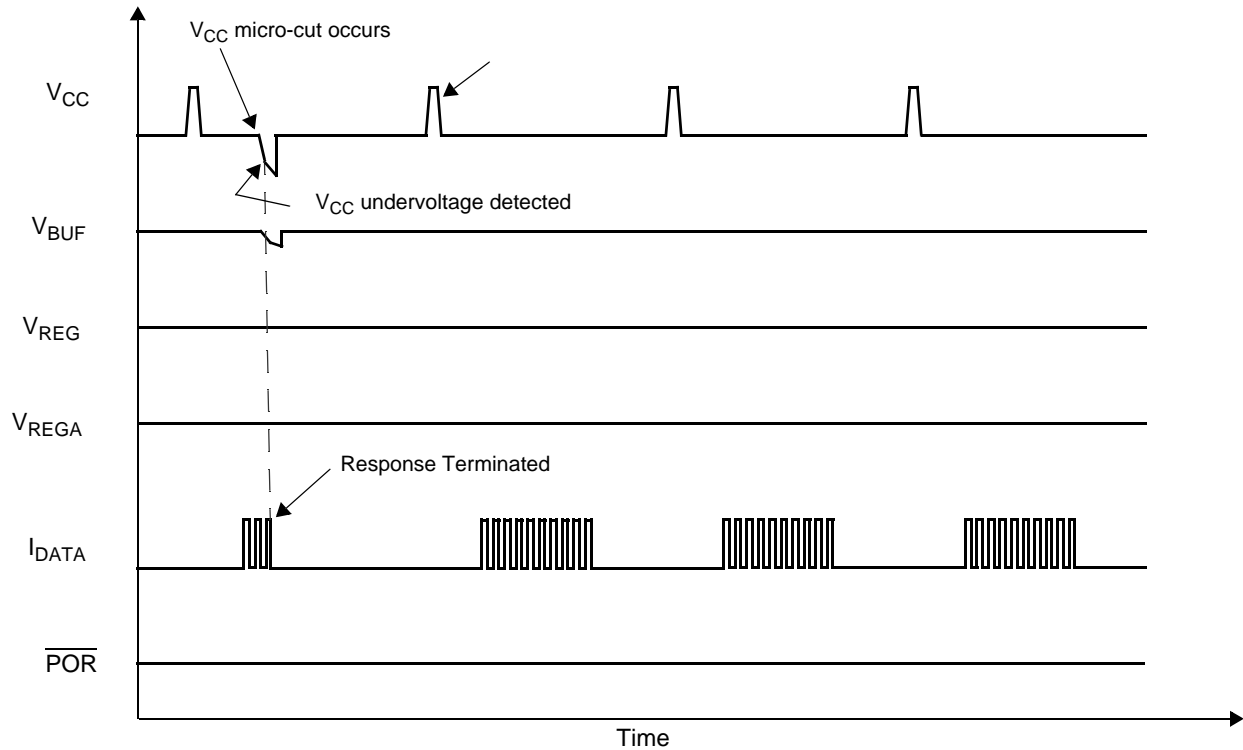


Figure 9.  $V_{CC}$  Micro-Cut Response

### 3.3.3 $V_{BUF}$ , $V_{REG}$ , and $V_{REGA}$ Capacitance Monitor

A monitor circuit is incorporated to ensure predictable operation if the connection to the external  $V_{BUF}$ ,  $V_{REG}$ , or  $V_{REGA}$ , capacitor becomes open.

In asynchronous mode, the  $V_{BUF}$  regulator is disabled  $t_{CAPTEST\_ADLY}$  seconds after each data transmission for a duration of  $t_{CAPTEST\_TIME}$  seconds. If the external capacitor is not present, the regulator voltage will fall below the internal reset threshold, forcing a device reset.

In synchronous mode, the  $V_{BUF}$  regulator is disabled  $t_{CAPTEST\_SDLY}$  seconds after each sync pulse for a duration of  $t_{CAPTEST\_TIME}$  seconds. If the external capacitor is not present, the regulator voltage will fall below the internal reset threshold, forcing a device reset.

The  $V_{REG}$  and  $V_{REGA}$  regulators are disabled at a continuous rate ( $t_{CAPTEST\_RATE}$ ), for a duration of  $t_{CAPTEST\_TIME}$  seconds. If either external capacitor is not present, the associated regulator voltage will fall below the internal reset threshold, forcing a device reset.

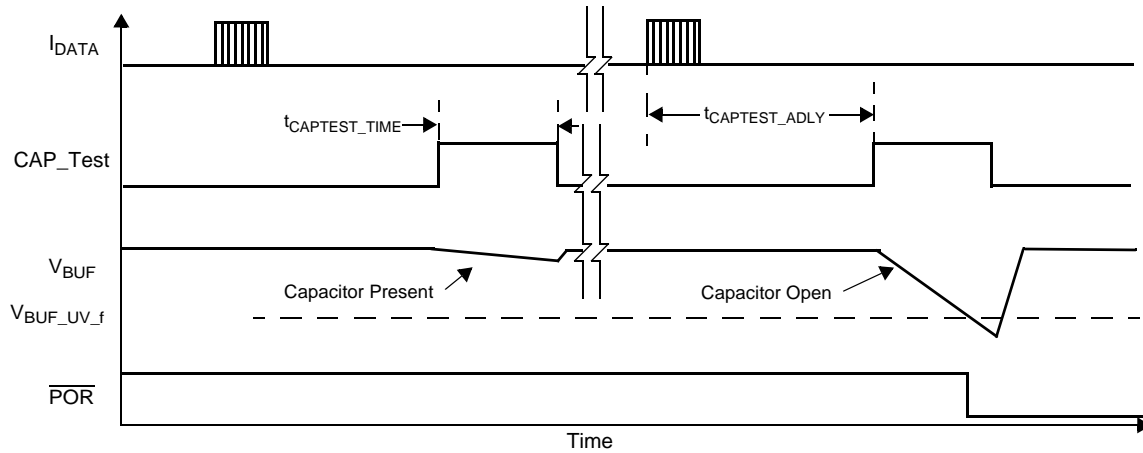


Figure 10.  $V_{BUF}$  Capacitor Monitor - Asynchronous Mode

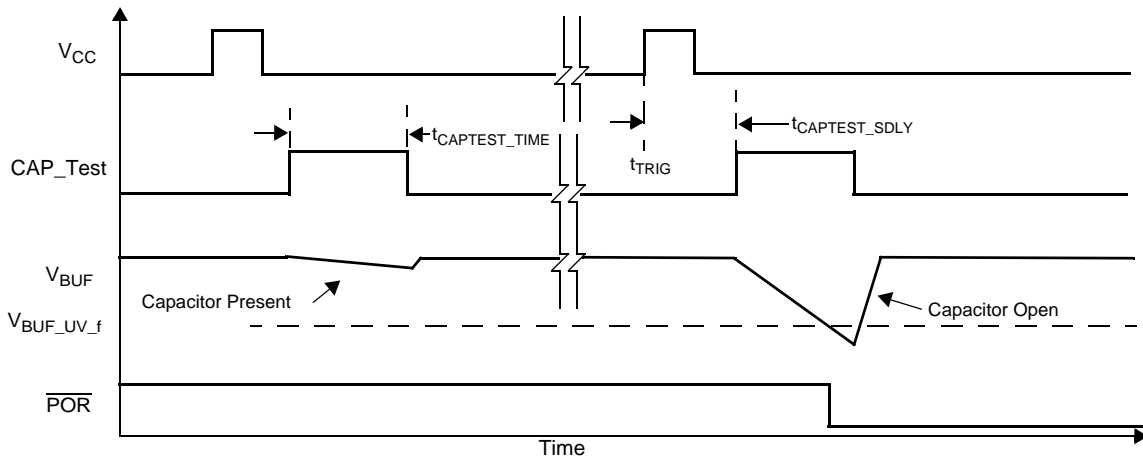


Figure 11.  $V_{BUF}$  Capacitor Monitor - Synchronous Mode

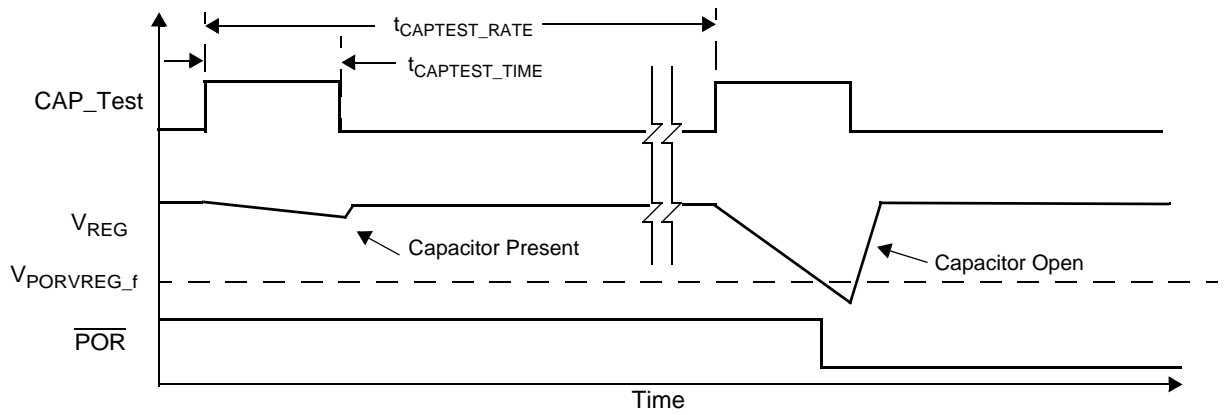


Figure 12.  $V_{REG}$  Capacitor Monitor

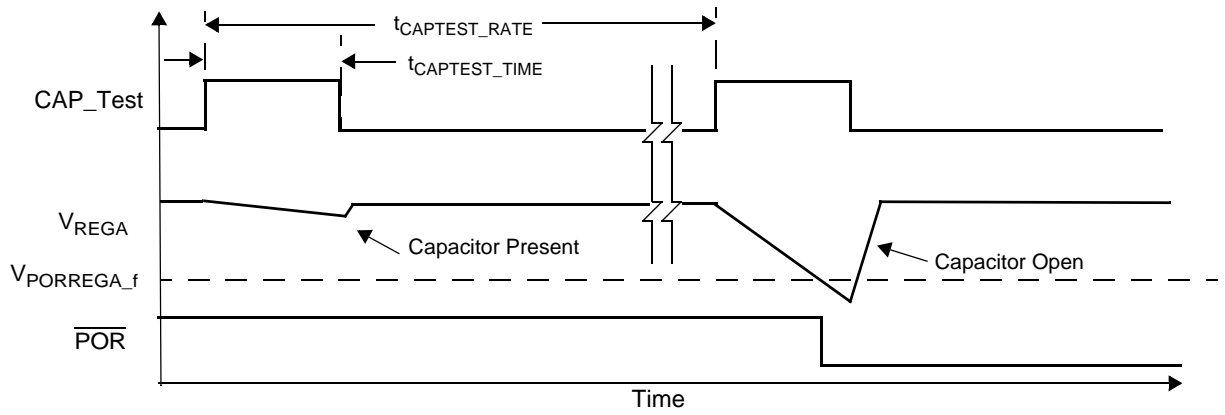


Figure 13.  $V_{REGA}$  Capacitor Monitor

### 3.4 Internal Oscillator

A factory trimmed oscillator is included as specified in [Section 2](#).

## 3.5 Acceleration Signal Path

### 3.5.1 Transducer

The transducer is an overdamped mass-spring-damper system defined by the following transfer function: where:

$$H(s) = \frac{\omega_n^2}{s^2 + 2 \cdot \zeta \cdot \omega_n \cdot s + \omega_n^2}$$

$\zeta$  = Damping Ratio

$\omega_n$  = Natural Frequency =  $2 \cdot \Pi \cdot f_n$

Reference [Section 2.7](#) for transducer parameters.

### 3.5.2 $\Sigma\Delta$ Converter

A sigma delta modulator converts the differential capacitance of the transducer to a 1 MHz data stream that is input to the DSP block.

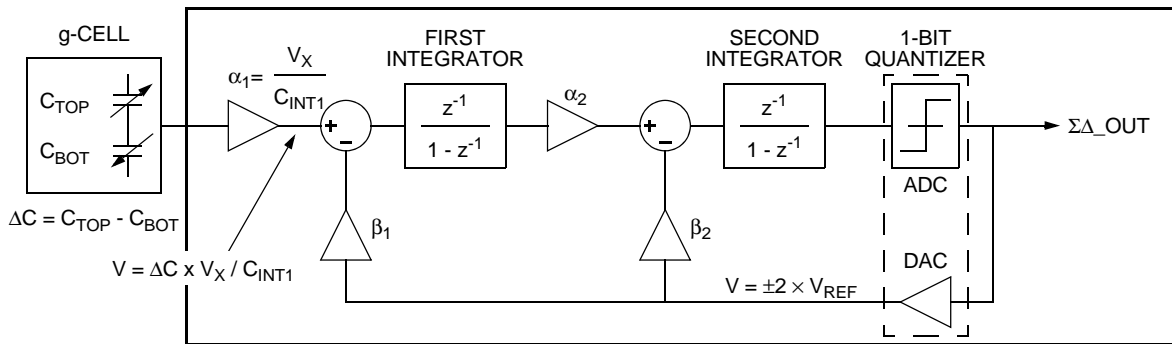


Figure 14.  $\Sigma\Delta$  Converter Block Diagram

### 3.5.3 Digital Signal Processing Block

A Digital Signal Processing (DSP) block is used to perform signal filtering and compensation. A diagram illustrating the signal processing flow within the DSP block is shown in [Figure 15](#).

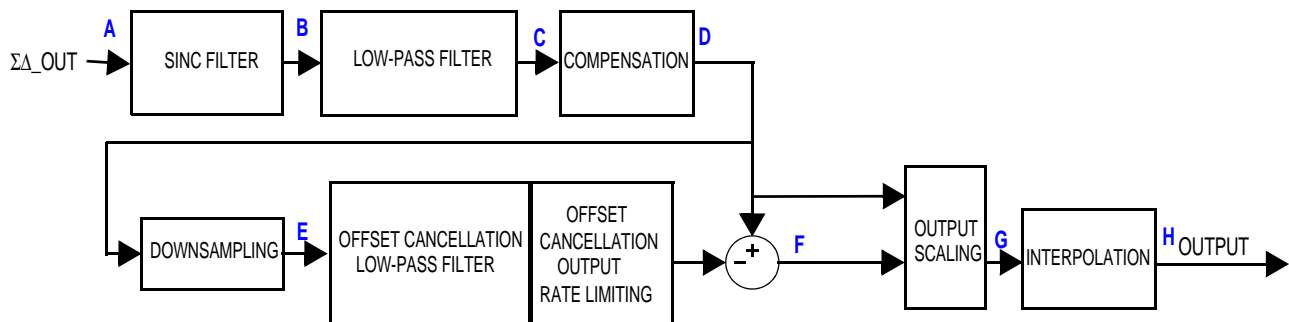


Figure 15. Signal Chain Diagram



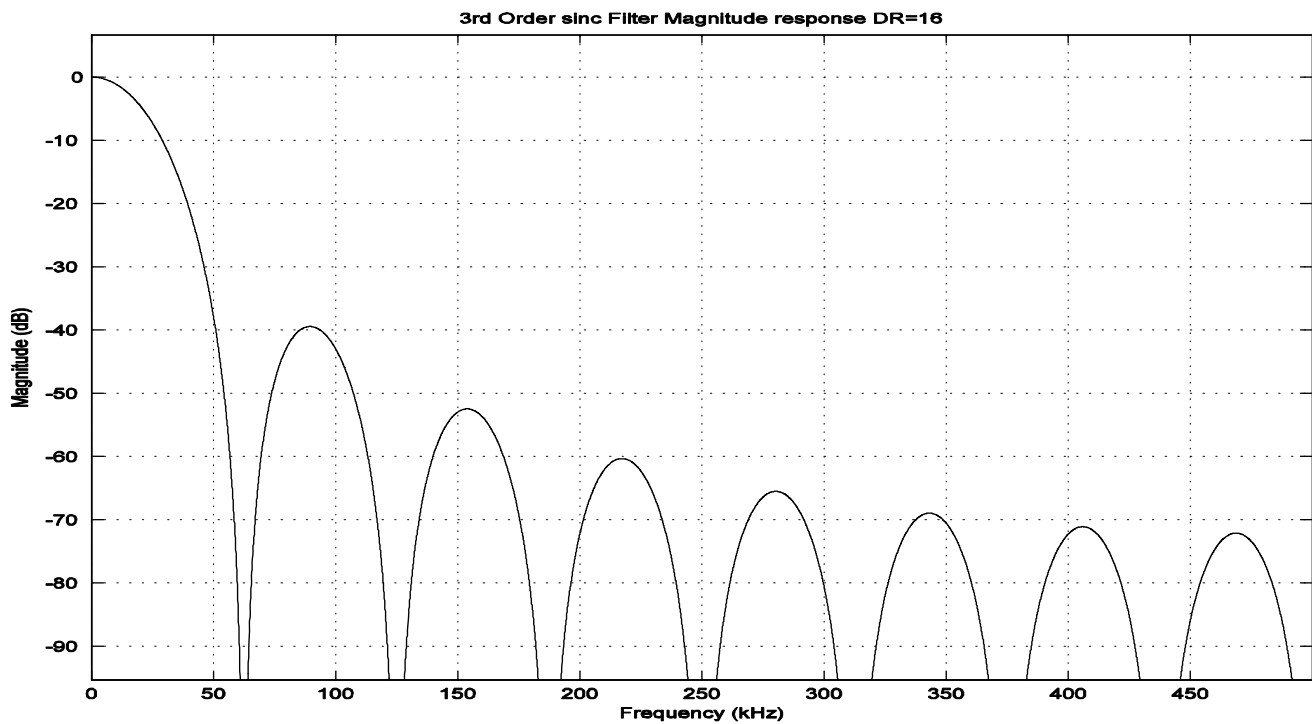
**Table 3. Signal Chain Characteristics**

|          | Description           | Sample Time (μs) | Data Width (Bits) | Over Range (Bits) | Signal Width (Bits) | Signal Noise (Bits) | Signal Margin (Bits) | Typical Block Latency                     | Reference                       |
|----------|-----------------------|------------------|-------------------|-------------------|---------------------|---------------------|----------------------|---|---------------------------------|
| <b>A</b> | SD                    | 1                | 1                 |                   | 1                   |                     |                      | 203/f <sub>osc</sub>                      | <a href="#">Section 3.5.2</a>   |
| <b>B</b> | SINC Filter           | 16               | 20                |                   | 13                  |                     |                      |   | <a href="#">Section 3.5.3.2</a> |
| <b>C</b> | Low-Pass Filter       | 16               | 26                | 4                 | 10                  | 3                   | 9                    | Reference <a href="#">Section 3.5.3.2</a> | <a href="#">Section 3.5.3.2</a> |
| <b>D</b> | Compensation          | 16               | 26                | 4                 | 10                  | 3                   | 9                    | 68/f <sub>osc</sub>                       |                                 |
| <b>E</b> | Down Sampling         | 16               | 26                | 4                 | 10                  | 3                   | 9                    |   |                                 |
| <b>F</b> | High Pass Filter      | 16               | 26                | 4                 | 10                  | 3                   | 9                    | Reference <a href="#">Section 3.5.3.3</a> | <a href="#">Section 3.5.3.3</a> |
| <b>G</b> | DSP Sampling          | 16               |                   |                   | 10                  |                     |                      | 4/f <sub>osc</sub>                        | <a href="#">Section 3.5.3.5</a> |
|          | 10-Bit Output Scaling |                  |                   |                   |                     |                     |                      |   |                                 |
| <b>H</b> | Interpolation         | 1                |                   |                   | 10                  |                     |                      | 64/f <sub>osc</sub>                       | <a href="#">Section 3.5.3.5</a> |

**3.5.3.1 Decimation Sinc Filter**

The serial data stream produced by the ΣΔ converter is decimated and converted to parallel values by a 3rd order 16:1 sinc filter with a decimation factor of 16.

$$H(z) = \left[ \frac{1 - z^{-16}}{16 \times (1 - z^{-1})} \right]^3$$



**Figure 16. Sinc Filter Response, t<sub>s</sub> = 16 μs**

### 3.5.3.2 Low-Pass Filter

Data from the Sinc filter is processed by an infinite impulse response (IIR) low-pass filter.

$$H(z) = a_0 \cdot \frac{(n_{11} \cdot z^0) + (n_{12} \cdot z^{-1}) + (n_{13} \cdot z^{-2})}{(d_{11} \cdot z^0) + (d_{12} \cdot z^{-1}) + (d_{13} \cdot z^{-2})} \cdot \frac{(n_{21} \cdot z^0) + (n_{22} \cdot z^{-1}) + (n_{23} \cdot z^{-2})}{(d_{11} \cdot z^0) + (d_{22} \cdot z^{-1}) + (d_{23} \cdot z^{-2})}$$

The device provides the option for one of two low-pass filters. The filter is selected with the LPF[1:0] bits in the DEVCFG3 register. The filter selection options are listed in [Section 3.1.4.2](#). Response parameters for the low-pass filter are specified in [Section 2.7](#). Filter characteristics are illustrated in [Figure 17](#) and [Figure 18](#).

**Table 4. Low-Pass Filter Coefficients**

| Description        | Filter Coefficients |                       |                 |                        | Group Delay           |
|--------------------|---------------------|-----------------------|-----------------|------------------------|-----------------------|
| 400 Hz, 3-Pole LPF | a <sub>0</sub>      | 5.189235225042199e-02 |                 |                        | 2816/f <sub>osc</sub> |
|                    | n <sub>11</sub>     | 1.629077582099646e-03 | d <sub>11</sub> | 1.0                    |                       |
|                    | n <sub>12</sub>     | 1.630351547919014e-03 | d <sub>12</sub> | -9.481076477495780e-01 |                       |
|                    | n <sub>13</sub>     | 0                     | d <sub>13</sub> | 0                      |                       |
|                    | n <sub>21</sub>     | 2.500977520825902e-01 | d <sub>21</sub> | 1.0                    |                       |
|                    | n <sub>22</sub>     | 4.999999235890745e-01 | d <sub>22</sub> | -1.915847097557409e+00 |                       |
|                    | n <sub>23</sub>     | 2.499023243303036e-01 | d <sub>23</sub> | 9.191065266874253e-01  |                       |
| 400 Hz, 4-Pole LPF | a <sub>0</sub>      | 3.143225986084408e-03 |                 |                        | 3392/f <sub>osc</sub> |
|                    | n <sub>11</sub>     | 9.951105668343345e-04 | d <sub>11</sub> | 1.0                    |                       |
|                    | n <sub>12</sub>     | 2.003487780064749e-03 | d <sub>12</sub> | -1.892328151433503e+00 |                       |
|                    | n <sub>13</sub>     | 1.008466113720278e-03 | d <sub>13</sub> | 8.954713774195870e-01  |                       |
|                    | n <sub>21</sub>     | 2.516720624825626e-01 | d <sub>21</sub> | 1.0                    |                       |
|                    | n <sub>22</sub>     | 4.999888752940916e-01 | d <sub>22</sub> | -1.918978239761011e+00 |                       |
|                    | n <sub>23</sub>     | 2.483390622233452e-01 | d <sub>23</sub> | 9.229853042218408e-01  |                       |

**Note:** Low-Pass Filter values do not include g-cell frequency response.

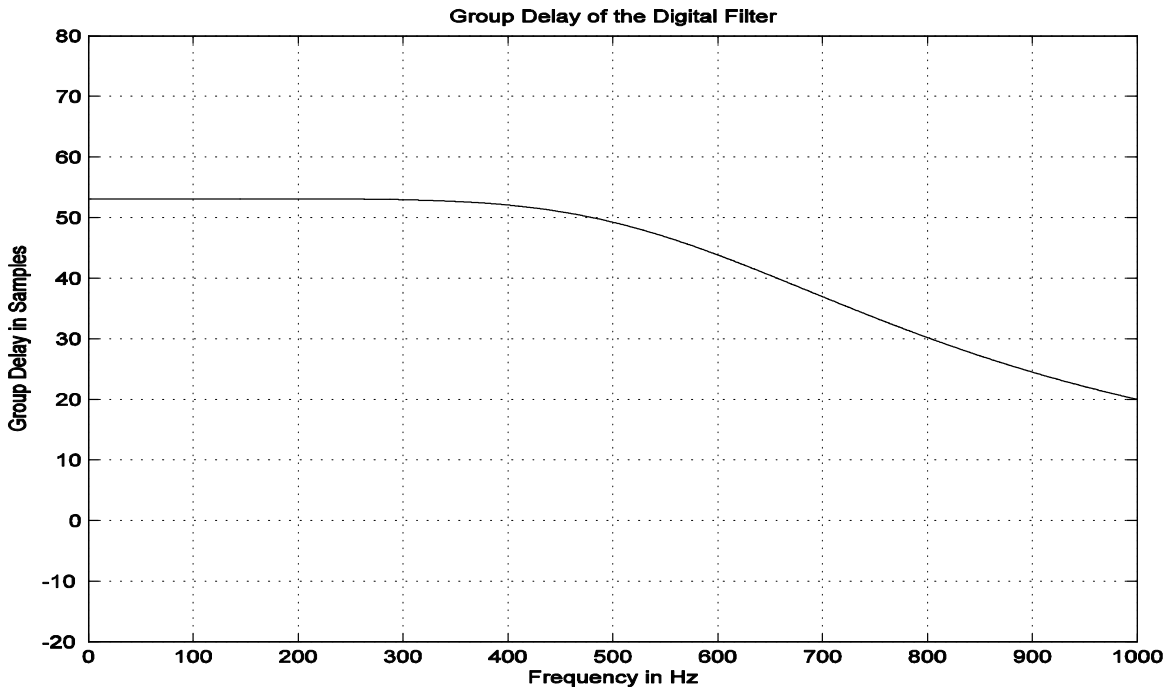
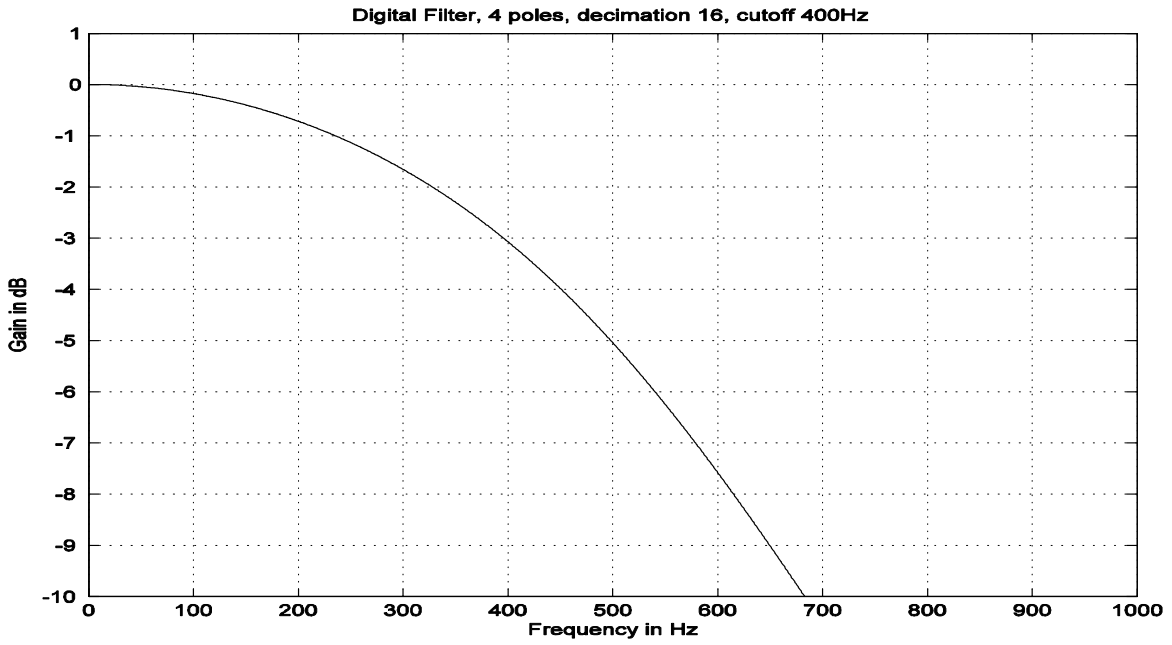


Figure 17. Low-Pass Filter Characteristics:  $f_C = 400$  Hz, 4-Pole,  $t_S = 16 \mu s$

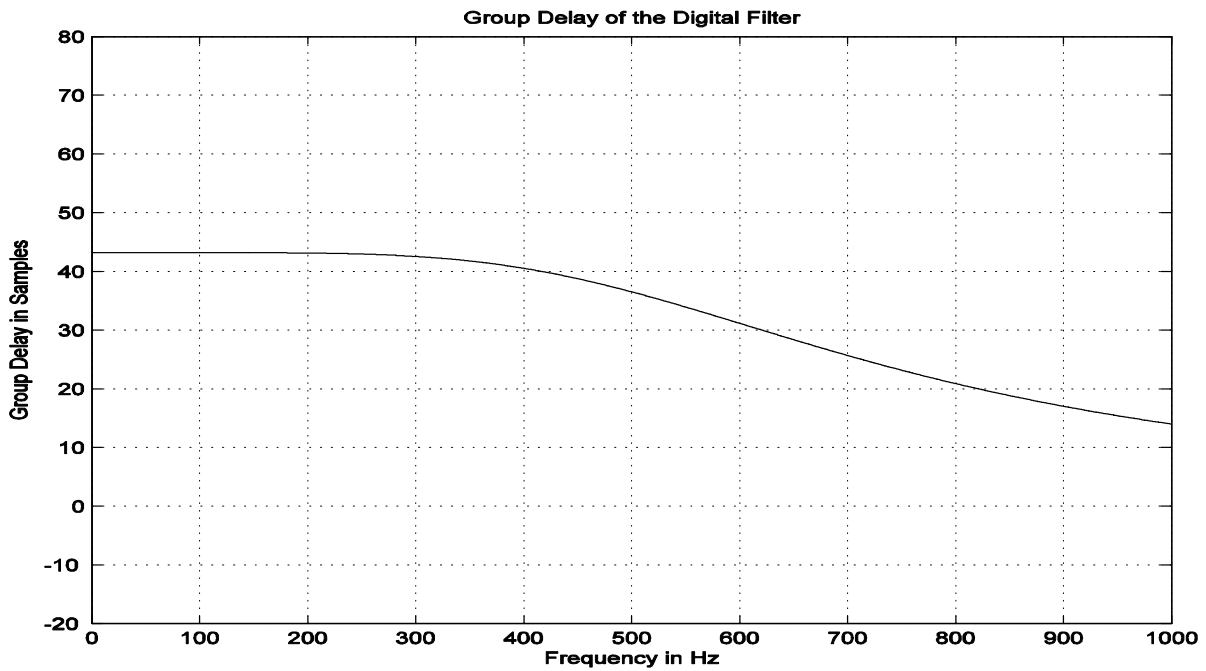
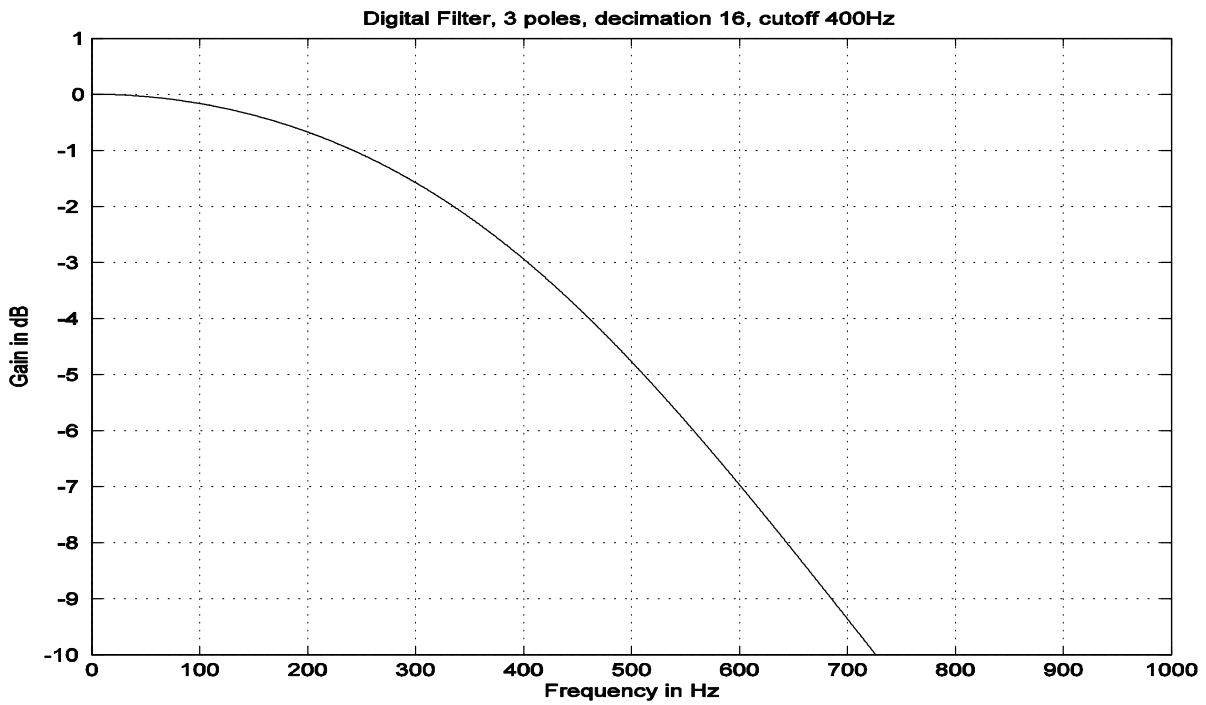


Figure 18. Low-Pass Filter Characteristics:  $f_c = 400$  Hz, 3-Pole,  $t_s = 16 \mu s$

### 3.5.3.3 Offset Cancellation

The device provides an optional offset cancellation circuit to remove internal offset error. A block diagram of the offset cancellation is shown in Figure 19.

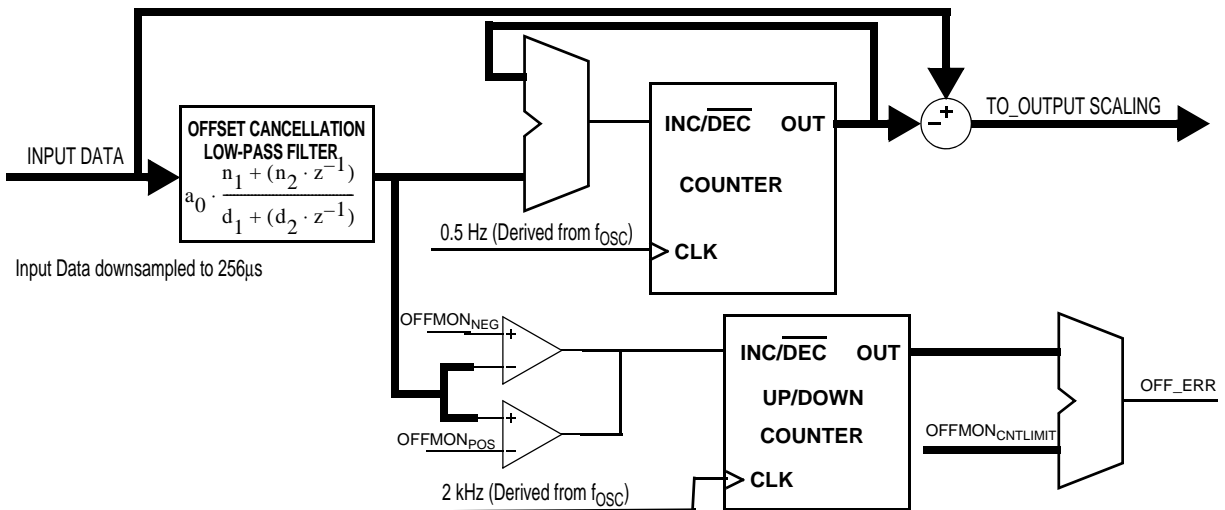


Figure 19. Offset Cancellation Block Diagram

The transfer function for the offset LPF is:

$$H(z) = a_0 \cdot \frac{n_0 + (n_1 \cdot z^{-1})}{d_0 + (d_1 \cdot z^{-1})}$$

Response parameters are specified in Section 2 and the offset LPF coefficients are specified in Table 6.

During startup, two phases of the offset LPF are used to allow for fast convergence of the internal offset error during initialization. The timing and characteristics of each phase are shown in Table 5 and Table 6 and specified in Section 2. For more information regarding the startup timing, reference the PSI5 initialization information in Section 4.4. The offset low-pass filter used in normal operation is selected by the OC\_FILT bit as shown in Table 5.

During the Initialization Self-Test phase, the offset cancellation circuit output value is frozen.

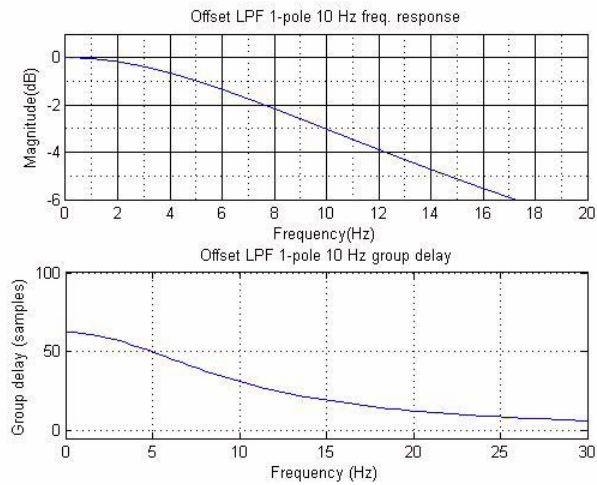
During normal operation, output rate limiting is applied to the output of the high pass filter. Rate limiting updates the offset cancellation output by OFF<sub>Step\_xx</sub> LSB every t<sub>OffRate\_xx</sub> seconds.

Table 5. Offset Cancellation Startup Characteristics and Timing

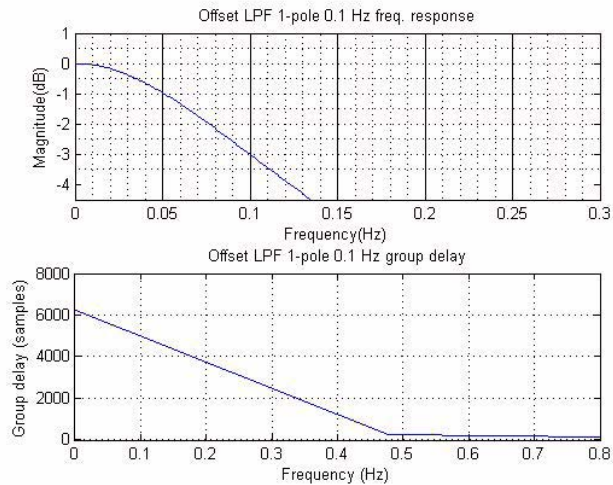
| Offset Cancellation Startup Phase | Offset LPF | Output Rate Limiting         | Total Time for Phase                           |
|-----------------------------------|------------|------------------------------|--|
| 1                                 | 10 Hz      | Bypassed                     | 80 ms  |
| 2                                 | 0.3 Hz     | Bypassed                     | 70 ms  |
| Self-Test                         | 0.3 Hz     | Bypassed (Frozen during ST2) | 96 ms per Self-Test Sequence (up to 6 repeats) |
| Complete                          | 0.1 Hz     | Enabled                      | N/A  |

**Table 6. High Pass Filter Coefficients**

| Description | Coefficients    |                    |                 |                     | Group Delay |
|-------------|-----------------|--------------------|-----------------|---------------------|-------------|
| 10 Hz HPF   | ao <sub>0</sub> | 0.015956938266754  |                 |                     | 16.384 ms   |
|             | no <sub>1</sub> | 0.499998132328277  | do <sub>1</sub> | 1.0                 |             |
|             | no <sub>2</sub> | 0.499998132328277  | do <sub>2</sub> | -0.984043061733246  |             |
| 0.3 Hz HPF  | ao <sub>0</sub> | 0.000482380390167  |                 |                     | 537.6 ms    |
|             | no <sub>1</sub> | 0.499938218213271  | do <sub>1</sub> | 1.0                 |             |
|             | no <sub>2</sub> | 0.499938218213271  | do <sub>2</sub> | -0.999517619609833  |             |
| 0.1 Hz HPF  | ao <sub>0</sub> | 0.0001608133316040 |                 |                     | 1591ms      |
|             | no <sub>1</sub> | 0.4999999403953552 | do <sub>1</sub> | 1.0                 |             |
|             | no <sub>2</sub> | 0.4999999403953552 | do <sub>2</sub> | -0.9998391270637512 |             |
| 0.04 Hz HPF | ao <sub>0</sub> | 0.0000643134117126 |                 |                     | 3976ms      |
|             | no <sub>1</sub> | 0.4999999403953552 | do <sub>1</sub> | 1.0                 |             |
|             | no <sub>2</sub> | 0.4999999403953552 | do <sub>2</sub> | -0.9999356269836426 |             |



**Figure 20. 10Hz Offset Cancellation Low-Pass Filter Characteristics**



**Figure 21. 0.1 Hz Offset Cancellation Low-Pass Filter Characteristics**

### 3.5.3.4 Offset Monitor

The device includes an offset monitor circuit. The output of the single pole low-pass filter in the offset cancellation block is continuously monitored against the offset limits specified in Section 2.4. An up/down counter is employed to count up if the output exceeds the limits, and to count down if the output is within the limits. The output of the counter is compared against the count limit  $OFFMON_{CNTLIMIT}$ . If the counter exceeds the limit, the  $OFF\_B$  flag in the SC register is cleared. The counter rails once the max counter value is reached ( $OFFMON_{CNTSIZE}$ ). The offset monitor is disabled during Initialization Phase 1, Phase 2, and Phase 3.

### 3.5.3.5 Data Interpolation

The device includes 16 to 1 linear data interpolation to minimize the system sample jitter. Each result produced by the digital signal processing chain is delayed one sample time. On detection of a sync pulse the transmitted data is interpolated from the 2 previous samples, resulting in a latency of one sample time, and a maximum signal jitter of  $\pm 1/16$  of a sample time. Reference Section 4.5 for more information regarding interpolation and data latency.

### 3.5.3.6 Output Scaling

The 26 bit digital output from the DSP is clipped and scaled to a 10-bit or 8-bit word which spans the acceleration range of the device. Figure 22 shows the method used to establish the output acceleration data word from the 26-bit DSP output.

| Over Range       |     |     | Signal |     |     |     |     |     |     |     |                |     |                | Noise |     |    |    | Margin |    |    |    |  |  |
|------------------|-----|-----|--------|-----|-----|-----|-----|-----|-----|-----|----------------|-----|----------------|-------|-----|----|----|--------|----|----|----|--|--|
| D25              | D24 | D23 | D22    | D21 | D20 | D19 | D18 | D17 | D16 | D15 | D14            | D13 | D12            | D11   | D10 | D9 | D8 | ...    | D2 | D1 | D0 |  |  |
| 8-bit Data Word  |     |     | D21    | D20 | D19 | D18 | D17 | D16 | D15 | D14 | Using Rounding |     |                |       |     |    |    |        |    |    |    |  |  |
| 10-bit Data Word |     |     | D21    | D20 | D19 | D18 | D17 | D16 | D15 | D14 | D13            | D12 | Using Rounding |       |     |    |    |        |    |    |    |  |  |

Figure 22. 10-Bit Output Scaling Diagram

### 3.5.3.7 PCM Output Function

The device provides the option for a PCM output function. The PCM output is activated if the PCM bit is set in the DEVCFG2 register. When the PCM function is enabled, a 4 MHz Pulse Code Modulated signal proportional to the upper 9 bits of the 10-bit acceleration response is output onto the PCM pin. The PCM output is intended for test use only.

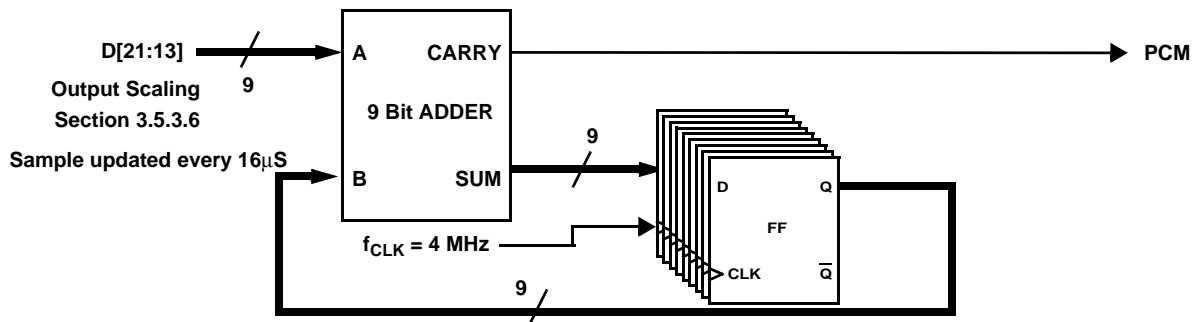


Figure 23. PCM Output Function Block Diagram

## 3.6 Overload Response

### 3.6.1 Overload Performance

The device is designed to operate within a specified range. Acceleration beyond that range (overload) impacts the output of the sensor. Acceleration beyond the range of the device can generate a DC shift at the output of the device that is dependent upon the overload frequency and amplitude. The g-cell is overdamped, providing the optimal design for overload performance. However, the performance of the device during an overload condition is affected by many other parameters, including:

- g-cell damping
- Non-linearity
- Clipping limits
- Symmetry

Figure 24 shows the g-cell, ADC and output clipping of The device over frequency. The relevant parameters are specified in Section 2.

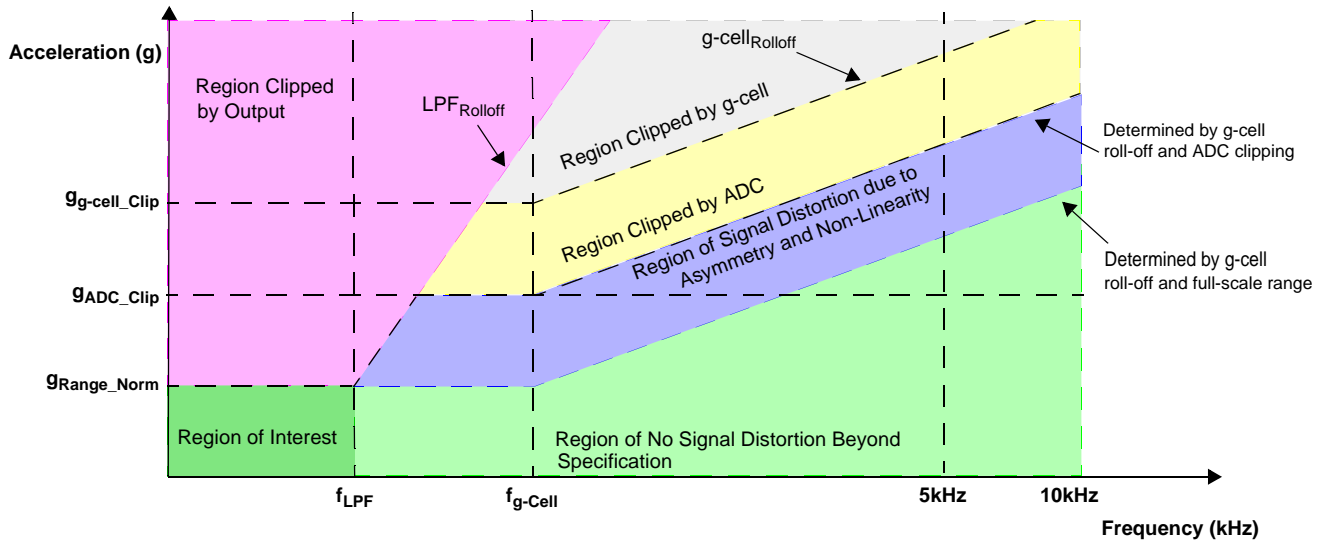


Figure 24. Output Clipping vs. Frequency

### 3.6.2 Sigma Delta Modulator Over Range Response

Over Range conditions exist when the signal level is beyond the full-scale range of the device but within the computational limits of the DSP. The  $\Sigma\Delta$  converter can saturate at levels above those specified in Section 2 ( $G_{ADC\_CLIP}$ ). The DSP operates predictably under all cases of over range, although the signal may include residual high frequency components for some time after returning to the normal range of operation due to non-linear effects of the sensor.



## 4 PSI5 Layer and Protocol

### 4.1 Communication Interface Overview

The communication interface between a master device and the MMA52xx is established via a PSI5 compatible 2-wire interface, with parallel or serial (daisy-chain) connections to the satellite modules. Figure 25 shows one possible system configuration for multiple satellite modules in parallel.

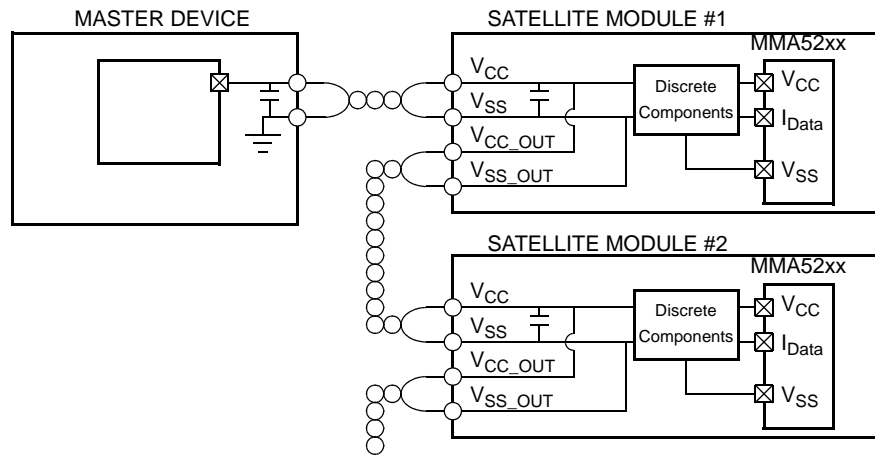


Figure 25. PSI5 Satellite Interface Diagram

### 4.2 Data Transmission Physical Layer

The device uses a two wire interface for both its power supply ( $V_{CC}$ ), and data transmission. The PSI5 master supplies a pre-regulated voltage. Data transmissions and synchronization control from the PSI5 master to the device are accomplished via modulation of the supply voltage. Data transmissions from the device to the PSI5 master are accomplished via modulation of the current on the power supply line.

#### 4.2.1 Synchronization Pulse

The PSI5 master modulates the supply voltage in the positive direction to provide synchronization of the satellite sensor data. Upon reception of a synchronization pulse, the device delays a specified period of time, called a time slot, before transmitting acceleration data. For more details regarding time slots, refer to Section 3.1.4, and Section 4.5.

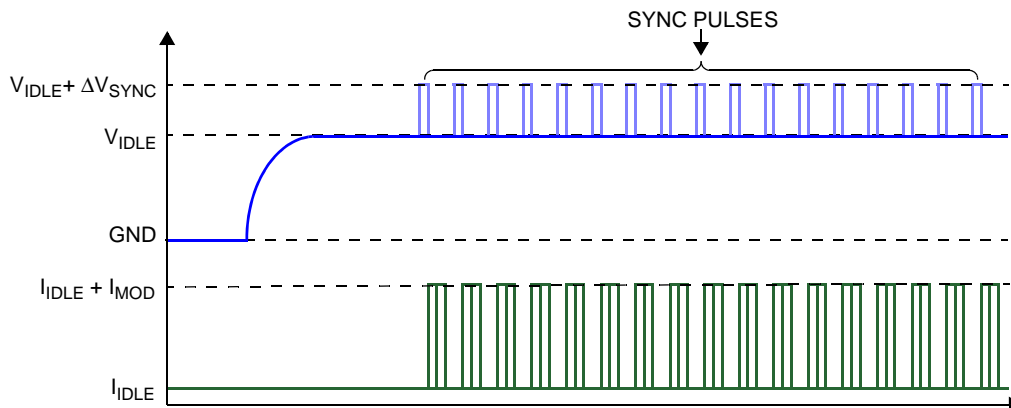


Figure 26. Synchronous Communication Overview

### 4.2.1.1 Synchronization Pulse Detection

The Synchronization (Sync) pulse detection block generates a valid synchronization pulse signal following the detection of an externally generated Sync pulse. This signal resets the Sync pulse time reference ( $t_{TRIG}$ ), and initiates the timers associated with response messages.

The supply voltage can vary throughout the specified range, so the external Sync pulses may have different absolute voltage levels. Thus, the Sync pulse detection threshold ( $V_{CC\_SYNC}$ ) is dependent not only on the Sync pulse absolute voltage, but also on the supply voltage. Figure 27 shows a block diagram of the Sync pulse detection circuit.

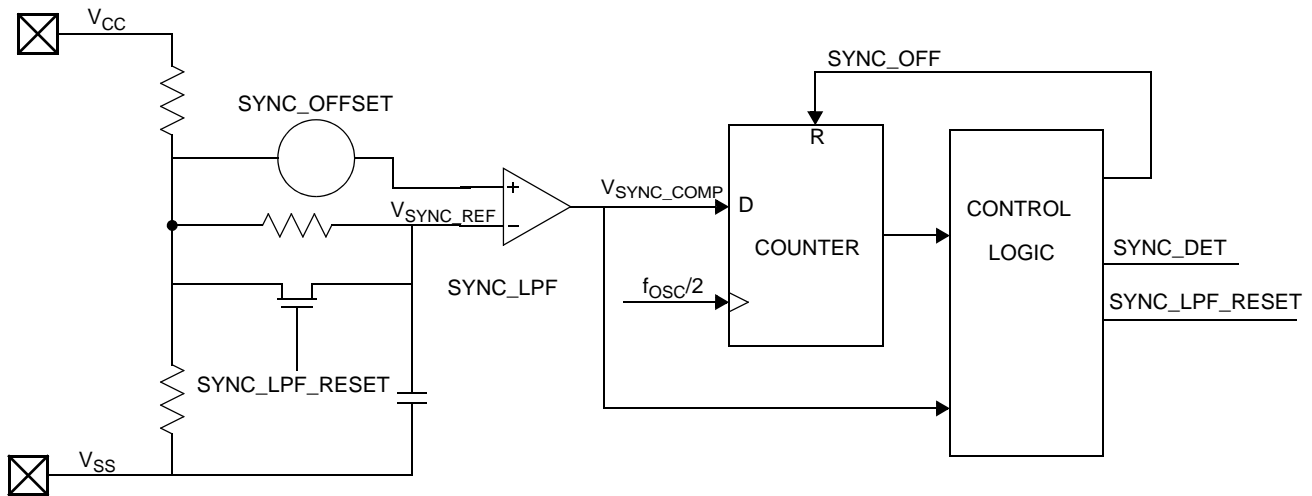


Figure 27. Synchronization Pulse Detection Circuit

The start of a Sync pulse is detected when the comparator output is set ( $V_{SYNC}$  exceeds  $V_{SYNC\_REF}$ ). The comparator output is input into a counter, and the counter is updated at a fixed frequency of  $f_{OSC}/2$ . At a fixed time after the initial sync pulse detection ( $t_{SYNC\_LPF\_RST\_ST}$ ), the counter is compared against a limit (the minimum value of  $t_{SYNC}$ ). If the counter is above the limit, a valid sync pulse is detected.

If the Sync pulse is valid, the following occur:

1. The valid Sync pulse detection signal is set.
2. The detection counter is reset and disabled for  $t_{SYNC\_OFF}$  (referenced from  $t_{TRIG}$ ).  $t_{SYNC\_OFF}$  is a user programmable option. Reference Section 3.1.3.6 for details on the selectable option, and Section 2.6 for timing specifications for each option.
  - a. If  $BLANKTIME = '0'$ ,  $t_{SYNC\_OFF} = t_{SYNC\_OFF\_500}$
  - a. If  $BLANKTIME = '1'$ ,  $t_{SYNC\_OFF} = t_{SYNC\_OFF\_VAR} = t_{TIMESLOT\_DLYx} + (2 + DATASIZE + (P\_CRC?3:1)) * t_{BIT\_x}$
3. The Sync pulse detection low-pass filter is reset for a specified time ( $t_{SYNC\_LPF\_RESET}$ ).

If the Sync pulse is invalid, all timers are reset, and the detector becomes sensitive for the very next  $f_{SYNC\_DET}$  sample.

The output of the comparator is monitored at the  $f_{OSC}/2$  frequency. Once the comparator output goes high, all of the internal timers are started, so that the  $t_{TRIG}$  jitter is minimized.

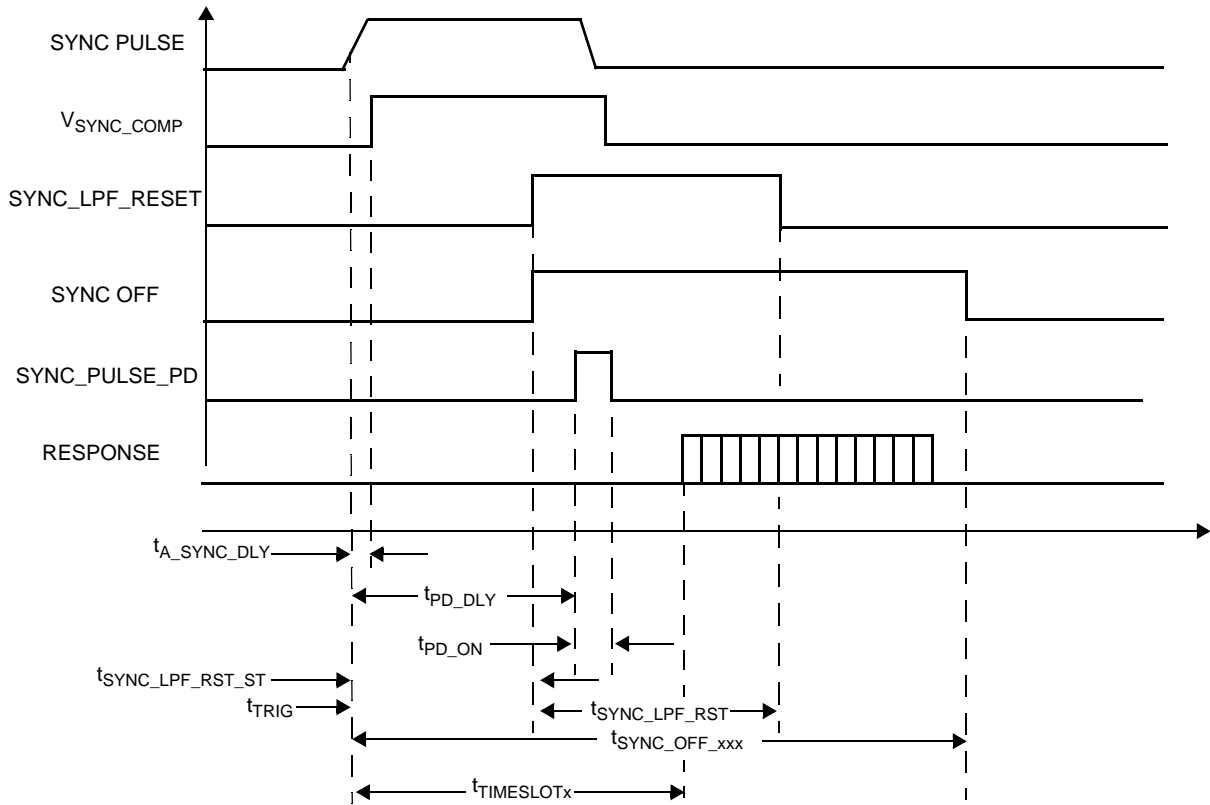


Figure 28. Synchronization Pulse Detection Timing

#### 4.2.1.2 Synchronization Pulse Pulldown Function

The device includes an optional Sync pulse pulldown function for systems in which the master device does not include an active pulldown function. The modulation current pulldown circuit is used, which sinks  $I_{\text{MOD}} - I_{\text{IDLE}}$  additional current from the  $I_{\text{DATA}}$  pin. The pulldown current is activated after  $t_{\text{PD\_DLY}}$  (referenced to  $t_{\text{TRIG}}$ ), and is activated for  $t_{\text{PD\_ON}}$ .

### 4.3 Data Transmission Data Link Layer

#### 4.3.1 Bit Encoding

The device outputs data by modulation of the  $V_{\text{CC}}$  current using Manchester 2 Encoding. Data is stored in a transition occurring in the middle of the bit time. The signal idles at the normal quiescent supply current. A logic low is defined as an increase in current at the middle of a bit time. A logic high is defined as a decrease in current at the middle of a bit time. There is always a transition in the middle of the bit time. If consecutive "1" or "0" data are transmitted, There will also be a transition at the start of a bit time.

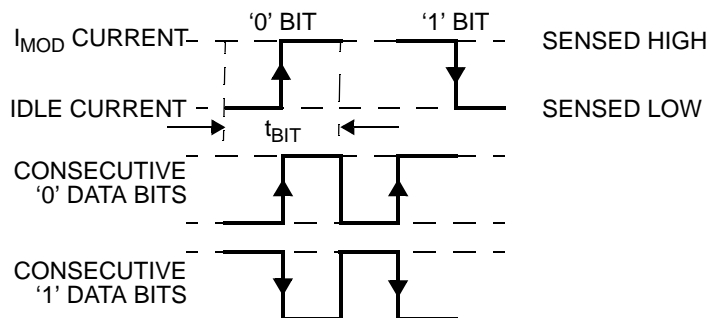


Figure 29. Manchester 2 Data Bit Encoding

### 4.3.2 Data Transmission

Transmission frames are composed of two start bits, an 8-bit or 10-bit data word, and error detection bit(s). Data words are transmitted least-significant bit (LSB) first. A typical Manchester-encoded transmission frame is illustrated in Figure 30.

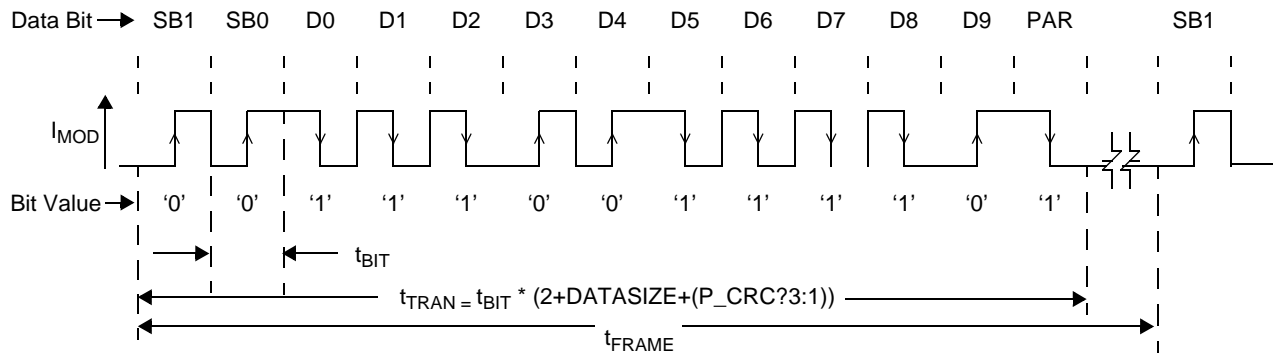


Figure 30. Example Manchester Encoded Data Transfer - PS15-x10P

### 4.3.3 Error Detection

Error detection of the transmitted data is accomplished via either a parity bit, or a 3-bit CRC. The type of error detection used is selected by the P\_CRC bit in the DEVCFG register.

### 4.3.4 Parity Error Detection

When parity error detection is selected, even parity is employed. The number of logic '1' bits in the transmitted message must be an even number.

### 4.3.5 3-Bit CRC Error Detection

When CRC error detection is selected, a 3-bit CRC is appended to each response message. The 3-bit CRC uses a generator polynomial of  $g(x) = X^3 + X + 1$ , with a seed value = '111'. Data from the transmitted message is read into the CRC calculator LSB first, and the data is augmented with three '0's. Start bits are not used in the CRC calculation. Table 7 shows some example CRC calculation values for 10-bit data transmissions.

Table 7. PS15 3-Bit CRC Calculation Examples

| HEX   | Data Transmitted |    |    |    |    |    |    |    |    |    | CRC |    |    |
|-------|------------------|----|----|----|----|----|----|----|----|----|-----|----|----|
|       | D9               | D8 | D7 | D6 | D5 | D4 | D3 | D2 | D1 | D0 | C2  | C1 | C0 |
| 0x000 | 0                | 0  | 0  | 0  | 0  | 0  | 0  | 0  | 0  | 0  | 1   | 1  | 0  |
| 0x0CC | 0                | 0  | 1  | 1  | 0  | 0  | 1  | 1  | 0  | 0  | 0   | 1  | 1  |
| 0x151 | 0                | 1  | 0  | 1  | 0  | 1  | 0  | 0  | 0  | 1  | 0   | 0  | 0  |
| 0x1E0 | 0                | 1  | 1  | 1  | 1  | 0  | 0  | 0  | 0  | 0  | 0   | 1  | 1  |
| 0x1F4 | 0                | 1  | 1  | 1  | 1  | 1  | 0  | 1  | 0  | 0  | 0   | 1  | 0  |
| 0x220 | 1                | 0  | 0  | 0  | 1  | 0  | 0  | 0  | 0  | 0  | 1   | 0  | 0  |
| 0x275 | 1                | 0  | 0  | 1  | 1  | 1  | 0  | 1  | 0  | 1  | 1   | 1  | 1  |
| 0x333 | 1                | 1  | 0  | 0  | 1  | 1  | 0  | 0  | 1  | 1  | 0   | 0  | 1  |
| 0x3FF | 1                | 1  | 1  | 1  | 1  | 1  | 1  | 1  | 1  | 1  | 1   | 0  | 0  |

### 4.3.6 Data Range Values

Table 9 shows the details for each data range.

Table 8. PSI5 Data Values

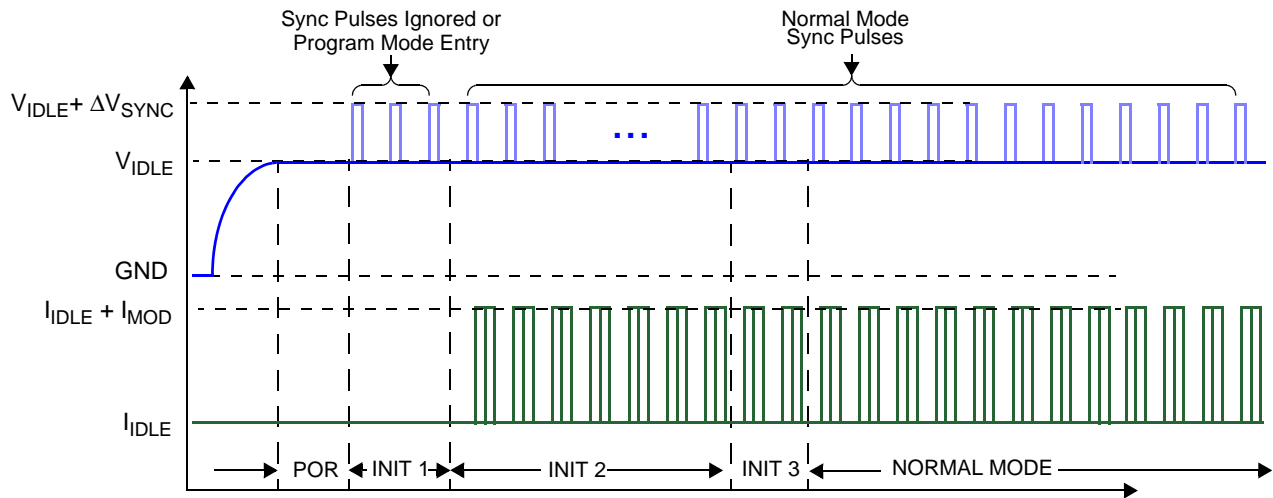
| 8-Bit Data Value |      | 10-Bit Data Value |       | Description   |
|------------------|------|-------------------|-------|---|
| Decimal          | Hex  | Decimal           | Hex   |   |
| +127             | \$7F | +511              | \$1FF | Reserved  |
|                  |      | •                 | •     |   |
|                  |      | •                 | •     |   |
| +126             | \$7E | +502              | \$1F6 |   |
| +125             | \$7D | +501              | \$1F5 | Sensor Defect Error Message   |
| N/A              | N/A  | +499              | \$1F3 | Reserved  |
|                  |      | •                 | •     |   |
|                  |      | •                 | •     |   |
| +124             | \$7C | +489              | \$1E9 |   |
| +123             | \$7B | +488              | \$1E8 | Sensor Busy   |
| +122             | \$7A | +487              | \$1E7 | Sensor Ready  |
| N/A              | N/A  | +486              | \$1E6 | Sensor Ready, but Unlocked  |
|                  |      | +485              | \$1E5 | Reserved  |
|                  |      | •                 | •     |   |
| +121             | \$79 | +481              | \$1E1 |   |
| +120             | \$78 | +480              | \$1E0 | Maximum positive acceleration value   |
| •                | •    | •                 | •     | Positive acceleration values  |
| •                | •    | •                 | •     |   |
| •                | •    | •                 | •     |   |
| +3               | \$03 | +3                | \$03  |   |
| +2               | \$02 | +2                | \$02  |   |
| +1               | \$01 | +1                | \$01  |   |
| 0                | 0    | 0                 | 0     | 0g level  |
| -1               | \$FF | -1                | \$3FF | Negative acceleration values  |
| -2               | \$FE | -2                | \$3FE |   |
| -3               | \$FD | -3                | \$3FD |   |
| •                | •    | •                 | •     |   |
| •                | •    | •                 | •     |   |
| •                | •    | •                 | •     |   |
| -120             | \$88 | -480              | \$220 | Maximum negative acceleration value   |
| -121             | \$87 | -481              | \$21F |   |
| •                | •    | •                 | •     | Initialization Data Codes<br>10-Bit Status Data Nibble 1 - 16 (0000 - 1111) (Dx)<br>8-Bit Status Data Nibble 1 - 4 (00 - 11) (Dx) |
| •                | •    | •                 | •     |   |
| •                | •    | •                 | •     |   |
| -124             | \$84 | -496              | \$210 |   |
| -125             | \$83 | -497              | \$20F |   |
| •                | •    | •                 | •     | Initialization Data IDs<br>Block ID 1 - 16 (10-bit Mode) (IDx)<br>Block ID 1 - 4 (8-Bit Mode) (IDx)                               |
| •                | •    | •                 | •     |   |
| •                | •    | •                 | •     |   |
| -128             | \$80 | -512              | \$200 |   |

## 4.4 Initialization

Following powerup, the device proceeds through an initialization process which is divided into 3 phases:

- Initialization Phase 1: No Data transmissions occur
- Initialization Phase 2: Sensor self-test and transmission of configuration information
- Initialization Phase 3: Transmission of “Sensor Busy”, and “Sensor Ready” / “Sensor Defect” message

Once initialization is completed the device begins normal mode operation, which continues as long as the supply voltage remains within the specified limits.

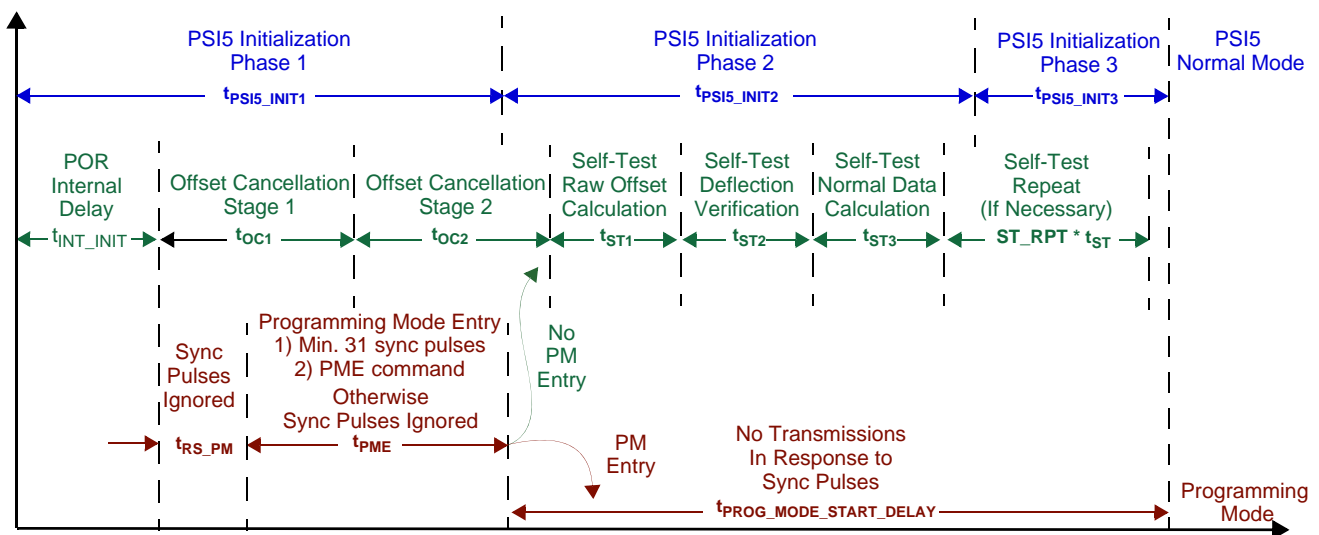


**Figure 31. PS15 Sensor 10-Bit Initialization**

During PS15 initialization, the device completes an internal initialization process consisting of the following:

- Power-on Reset
- Device Initialization
- Program Mode Entry Verification
- Offset Cancellation Initialization (2 Stages)
- Self-Test

Figure 32 shows the timing for internal and external initialization.



**Figure 32. Initialization Timing**

#### 4.4.1 PSI5 Initialization Phase 1

During PSI5 initialization phase 1, the device begins internal initialization and self checks, but transmits no data. Initialization begins with the sequence below and shown in [Figure 32](#):

- Internal Delay to ensure analog circuitry has stabilized ( $t_{INT\_INIT}$ )
- Offset Cancellation phase 1 Initialization ( $t_{OC1}$ )
- Monitor for the Programming Mode Entry Sequence ( $t_{PME}$ )
  - A sequence of sync pulses received during the program mode entry window in PSI5 initialization phase 1 will allow the device to enter into a PSI5 programming mode if the LOCK\_U bit is not set. Reference [Section 5.2](#) for details.
- Offset Cancellation phase 2 Initialization ( $t_{OC2}$ )
- If the Programming Mode Entry Sequence is not detected, the device enters Initialization Phase 2 ( $t_{PSI5\_INIT2}$ )

#### 4.4.2 PSI5 Initialization Phase 2

During PSI5 initialization phase 2, the device continues it's internal self checks and transmits the PSI5 initialization phase 2 data. The PSI5 initialization data transmission format varies depending on whether the device is programmed for 8-bit or 10-bit data. Initialization is transmitted using the initialization data codes and IDs specified in [Table 12](#), and in the order shown in [Figure 33](#) and [Figure 34](#).

|                  |                 |                  |                 |     |                  |                 |                  |                 |                  |                 |     |                  |                 |     |                   |                  |                   |                  |     |                   |                  |
|------------------|-----------------|------------------|-----------------|-----|------------------|-----------------|------------------|-----------------|------------------|-----------------|-----|------------------|-----------------|-----|-------------------|------------------|-------------------|------------------|-----|-------------------|------------------|
| D1               |                 |                  |                 |     |                  | D2              |                  |                 |                  |                 |     | ...              | D32             |     |                   |                  |                   |                  |     |                   |                  |
| ID1 <sub>1</sub> | D1 <sub>1</sub> | ID1 <sub>2</sub> | D1 <sub>2</sub> | ... | ID1 <sub>k</sub> | D1 <sub>k</sub> | ID2 <sub>1</sub> | D2 <sub>1</sub> | ID2 <sub>2</sub> | D2 <sub>2</sub> | ... | ID2 <sub>k</sub> | D2 <sub>k</sub> | ... | ID32 <sub>1</sub> | D32 <sub>1</sub> | ID32 <sub>2</sub> | D32 <sub>2</sub> | ... | ID32 <sub>k</sub> | D32 <sub>k</sub> |
| Repeat k times   |                 |                  |                 |     |                  | Repeat k times  |                  |                 |                  |                 |     | ...              | Repeat k times  |     |                   |                  |                   |                  |     |                   |                  |

Figure 33. PSI5 Initialization Phase 2 Data Transmission Order (10-bit Mode)

|                   |                  |                   |                  |     |                   |                  |                   |                  |                   |                  |     |                   |                  |     |                   |                  |                   |                  |     |                   |                  |
|-------------------|------------------|-------------------|------------------|-----|-------------------|------------------|-------------------|------------------|-------------------|------------------|-----|-------------------|------------------|-----|-------------------|------------------|-------------------|------------------|-----|-------------------|------------------|
| D1                |                  |                   |                  |     |                   | D2               |                   |                  |                   |                  |     | ...               | D9               |     |                   |                  |                   |                  |     |                   |                  |
| ID1H <sub>1</sub> | D1H <sub>1</sub> | ID1H <sub>2</sub> | D1H <sub>2</sub> | ... | ID1H <sub>k</sub> | D1H <sub>k</sub> | ID1L <sub>1</sub> | D1L <sub>1</sub> | ID1L <sub>2</sub> | D1L <sub>2</sub> | ... | ID1L <sub>k</sub> | D1L <sub>k</sub> | ... | ID9L <sub>1</sub> | D9L <sub>1</sub> | ID9L <sub>2</sub> | D9L <sub>2</sub> | ... | ID9L <sub>k</sub> | D9L <sub>k</sub> |
| Repeat k times    |                  |                   |                  |     |                   | Repeat k times   |                   |                  |                   |                  |     | ...               | Repeat k times   |     |                   |                  |                   |                  |     |                   |                  |

Figure 34. PSI5 Initialization Phase 2 Data Transmission Order (8-bit Mode)

The Initialization phase 2 time is calculated with the following equation:

$$t_{PHASE2} = TRANS_{NIBBLE} \times k \times (\text{DataFields}) \times t_{S\_S}$$

where:

- $TRANS_{NIBBLE}$  = # of Transmissions per Data Nibble  
 2 for 10-bit Data: 1 for ID, and 1 for Data  
 4 for 8-bit Data: 2 for ID, and 2 for Data
- k = the repetition rate for the data fields
- Data Fields = 32 data fields for 10-bit data, 9 data fields for 8-bit data
- $t_{S\_S}$  = Sync Pulse Period

#### 4.4.2.1 PSI5 Initialization Phase 2 (10-Bit Mode)

In PSI5 initialization phase 2, 10-bit mode, the device transmits a sequence of sensor specific configuration and serial number information. The transmission data is in conformance with the PSI5 specification, Revision 1.3 and AKLV27, Revision 1.10. The data content and transmission format is shown in Table 9 and Table 10. Table 9 shows the 10-bit phase 2 timing for different operating modes. Times are calculated using the equation in Section 4.4.2.

**Table 9. Initialization Phase 2 Time (10-Bit Mode)**

| Operating Mode                  | Repetition Rate (k) | # of Transmissions | Nominal Phase 2 Time |
|---------------------------------|---------------------|--------------------|----------------------|
| Asynchronous Mode (228 $\mu$ s) | 8                   | 512                | 116.7 ms             |
| Synchronous Mode (500 $\mu$ s)  | 4                   | 256                | 128.0 ms             |

**Table 10. PSI5 Initialization Phase 2 Data (10-Bit Mode)**

| PSI5 V1.2 Field ID # | PSI5 V1.2 Nibble ID # | Page Address | PSI5 Nibble Address | Register Address  | Description   | Value     |
|----------------------|-----------------------|--------------|---------------------|---|---|-----------|
| F1                   | D1                    | 0            | 0000                | Hard-coded  | Protocol Revision = V1.3  | 0100      |
| F2                   | D2, D3                |              | 0001, 0010          | Hard-coded  | Number of Data Blocks = 32  | 0010 0000 |
| F3                   | D4, D5                |              | 0011, 0100          | Hard-coded  | Manufacturer = Freescale  | 0100 0110 |
| F4                   | D6, D7                |              | 0101, 0110          | Hard-coded  | Sensor Type = Acceleration (high-g)                               | 0000 0001 |
| F5                   | D8                    |              | 0111                | U_DIR[1:0] = 00: 0000<br>U_DIR[1:0] = 01: 0100<br>U_DIR[1:0] = 10: 1000<br>U_DIR[1:0] = 11: 1100 (not used)         | Axis  | User      |
|                      | D9                    |              | 1000                | $\pm$ 60g: 0111<br>$\pm$ 120g: 1000<br>$\pm$ 240g: 1001<br>$\pm$ 480g: 1010   | Range   | Varies    |
| F6                   | D10                   |              | 1001                | DEVCFG2[7:4]  | Sensor Specific Information                                       | User      |
|                      | D11                   |              | 1010                | DEVCFG2[3:0]  | Sensor Specific Information                                       | User      |
| F7                   | D12                   |              | 1011                | Hard-coded  | Product Revision  | 0001      |
|                      | D13                   |              | 1100                | Hard-coded  | Product Revision  | 0001      |
|                      | D14                   |              | 1101                | DEVCFG6[3:0]  | Product Revision  | User      |
| F8                   | D15                   |              | 1110                | DEVCFG7[7:0], DEVCFG8[4:0]<br>converted to<br>Binary coded Julian Date<br>Reference <a href="#">Section 3.1.5.5</a> | JY[6:3]   | User      |
|                      | D16                   |              | 1111                |   | JY[2:0], JM[3]  | User      |
|                      | D17                   |              | 0000                |   | JM[2:0], JD[1]  | User      |
|                      | D18                   | 0001         | JD[3:0]             |   | User  |           |
| F9                   | D19                   | 1            | 0010                | SN0 (High Nibble)   | MMA52xx Serial Number   | Factory   |
|                      | D20                   |              | 0011                | SN0 (Low Nibble)  | MMA52xx Serial Number   | Factory   |
|                      | D21                   |              | 0100                | SN1 (High Nibble)   | MMA52xx Serial Number   | Factory   |
|                      | D22                   |              | 0101                | SN1 (Low Nibble)  | MMA52xx Serial Number   | Factory   |
|                      | D23                   |              | 0110                | SN2 (High Nibble)   | MMA52xx Serial Number   | Factory   |
|                      | D24                   |              | 0111                | SN2 (Low Nibble)  | MMA52xx Serial Number   | Factory   |
|                      | D25                   |              | 1000                | SN3 (High Nibble)   | MMA52xx Serial Number   | Factory   |
|                      | D26                   |              | 1001                | SN3 (Low Nibble)  | MMA52xx Serial Number   | Factory   |
|                      | D27                   |              | 1010                | Initial Raw Offset (Offset[3:0])  | Raw Offset <sup>1</sup><br>(If INIT2_EXT=1, '0000' otherwise)     | Varies    |
|                      | D28                   |              | 1011                | Initial Raw Offset (Offset[7:4])  | Raw Offset <sup>1</sup><br>(If INIT2_EXT=1, '0000' otherwise)     | Varies    |
|                      | D29                   |              | 1100                | ([AvgSelfTest[1:0],Offset[9:8]])  | Raw Off/Avg ST <sup>1</sup><br>(If INIT2_EXT=1, '0000' otherwise) | Varies    |
|                      | D30                   |              | 1101                | Average Self-Test<br>(AvgSelfTest[5:2])   | Avg Self-Test <sup>1</sup><br>(If INIT2_EXT=1, '0000' otherwise)  | Varies    |
|                      | D31                   |              | 1110                | Average Self-Test<br>(AvgSelfTest[9:6])   | Avg Self-Test <sup>1</sup><br>(If INIT2_EXT=1, '0000' otherwise)  | Varies    |
|                      | D32                   |              | 1111                | DEVCFG1 [7:4]   | Sensor Specific<br>(If INIT2_EXT=1, '0000' otherwise)             | 0010      |

1. Offset and average self-test data will only be transmitted with sync pulse periods that guarantee the self-test phase1 and phase 2 will be complete prior to required transmission. If sync pulse periods faster than this are used, '0's will be transmitted instead of offset and/or average self-test data.



#### 4.4.2.2 Initialization Phase 2 (8-Bit Mode)

In PSI5 initialization phase 2, 8-bit mode, the device transmits a sequence of sensor specific configuration and serial number information. The transmission data uses a format similar to the PSI5 specification, Revision 1.3 10-Bit format modified for 8-bit transmission. The data content and transmission format is shown in Table 11 and Table 12. Table 11 shows the 8-bit phase 2 timing for different operating modes. Times are calculated using the equation in Section 4.4.2.

**Table 11. Initialization Phase 2 Time (8-Bit Mode)**

| Operating Mode                    | Repetition Rate (k) | # of Transmissions | Nominal Phase 2 Time |
|-----------------------------------|---------------------|--------------------|----------------------|
| Asynchronous Mode 0 (228 $\mu$ s) | 16                  | 576                | 131.3 ms             |
| Synchronous Mode (500 $\mu$ s)    | 8                   | 288                | 144.0 ms             |

**Table 12. PSI5 Initialization Phase 2 Data (8-Bit Mode)**

| PSI5 V1.2 Field ID # | PSI5 V1.2 Nibble ID # | Page Address | PSI5 Half-Nibble Address | Register Address  | Description                         | Value  |
|----------------------|-----------------------|--------------|--------------------------|---|-------------------------------------|--------|
| F1                   | D1 H                  | 0            | 00                       | Hard-coded  | Protocol Revision = V1.3            | 01     |
| F1                   | D1 L                  | 0            | 01                       | Hard-coded  | Protocol Revision = V1.3            | 00     |
| F2                   | D2 H                  | 0            | 10                       | Hard-coded  | Number of Data Blocks = 9           | 00     |
| F2                   | D2 L                  | 0            | 11                       | Hard-coded  | Number of Data Blocks = 9           | 10     |
| F2                   | D3 H                  | 1            | 00                       | Hard-coded  | Number of Data Blocks = 9           | 00     |
| F2                   | D3 L                  | 1            | 01                       | Hard-coded  | Number of Data Blocks = 9           | 00     |
| F3                   | D4 H                  | 1            | 10                       | Hard-coded  | Satellite Manufacturer = Freescale  | 01     |
| F3                   | D4 L                  | 1            | 11                       | Hard-coded  | Satellite Manufacturer = Freescale  | 00     |
| F3                   | D5 H                  | 2            | 00                       | Hard-coded  | Satellite Manufacturer = Freescale  | 01     |
| F3                   | D5 L                  | 2            | 01                       | Hard-coded  | Satellite Manufacturer = Freescale  | 10     |
| F4                   | D6 H                  | 2            | 10                       | Hard-coded  | Sensor Type = Acceleration (high-g) | 00     |
| F4                   | D6 L                  | 2            | 11                       | Hard-coded  | Sensor Type = Acceleration (high-g) | 00     |
| F4                   | D7 H                  | 3            | 00                       | Hard-coded  | Sensor Type = Acceleration (high-g) | 00     |
| F4                   | D7 L                  | 3            | 01                       | Hard-coded  | Sensor Type = Acceleration (high-g) | 01     |
| F5                   | D8 H                  | 3            | 10                       | U_DIR[1:0] = 00: 0000<br>U_DIR[1:0] = 01: 0100<br>U_DIR[1:0] = 10: 1000<br>U_DIR[1:0] = 11: 1100 (not used) | Axis                                | User   |
| F5                   | D8 L                  | 3            | 11                       |   |                                     | User   |
| F5                   | D9 H                  | 4            | 00                       | $\pm$ 60g: 0111<br>$\pm$ 120g: 1000<br>$\pm$ 240g: 1001<br>$\pm$ 480g: 1010                                 | Range                               | Varies |
| F5                   | D9 L                  | 4            | 01                       |   |                                     | Varies |

### 4.4.3 Internal Self-Test

During PSI5 Initialization Phase 2 and Phase 3, the device completes its internal self-test as described below and shown in Figure 32.

- Self-Test Phase 1 - Raw Offset Calculation
  - The average offset is calculated for  $t_{ST1}$  (Self-Test Disabled).
  - If the INIT2\_EXT bit is set, this 10-bit value is transmitted in Initialization Phase 2 (reference Section 4.4.2).
- Self-Test Phase 2 - Self-Test Deflection Verification
  - The offset cancellation value is frozen for  $t_{ST2} + 2ms$
  - Self-Test is enabled
  - After  $t_{ST2}/2$ , the acceleration output value is averaged for  $t_{ST2}/2$  to determine the self-test value
  - If the INIT2\_EXT bit is set, this 10-bit value is transmitted in Initialization Phase 2 (reference Section 4.4.2).
  - The self-test value is compared against the limits specified in Section 2.5
  - Self-Test is disabled
- Self-Test Phase 3 - Self-Test Normal Data Calculation
  - The average offset is calculated for  $t_{ST3}$
  - If Self-Test passed, the device advances to normal mode
  - If Self-Test failed, the device repeats Self-Test Phases 1 through 3 up to ST\_RPT times.

### 4.4.4 Initialization Phase 3

During PSI5 initialization phase 3, the device completes its internal self checks, and transmits a combination of “Sensor Busy”, “Sensor Ready”, or “Sensor Defect” messages as defined in Table 8. The number of messages transmitted in initialization phase 3 varies depending on the mode of operation, and the number of self-test repetitions. Self-Test is repeated on failure up to ST\_RPT times to provide immunity to misuse inputs during initialization. Self-Test terminates successfully after one successful self-test sequence.

Table 13 shows the nominal Initialization Phase 3 times for different operating modes and self-test repeats. Times are calculated using the following equation.

$$t_{PSI5INIT3} = \text{ROUNDUP}\left(\frac{(t_{INTINIT} + t_{OC1} + t_{OC2} + (t_{ST1} + t_{ST2} + t_{ST3}) \times (\text{STRPT} + 1)) - (t_{PSI5INIT1} + t_{PSI5INIT2xx})}{t_{S-S}} + 2\right) \times t_{S-S}$$

**Table 13. Initialization Phase 3 Time**

| Operating Mode                      | Self-Test Repetitions | # of Sensor Busy Messages | # of Sensor Ready or Sensor Defect Messages | Nominal Phase 3 Time (ms) |
|-------------------------------------|-----------------------|---------------------------|---|---------------------------|
| 8-Bit Asynchronous Mode 0 (228 μs)  | 0                     | 0                         | 2   | 0.46                      |
|                                     | 1                     | 359                       |   | 82.31                     |
|                                     | 2                     | 780                       |   | 178.30                    |
|                                     | 3                     | 1201                      |   | 274.28                    |
|                                     | 4                     | 1622                      |   | 370.27                    |
|                                     | 5                     | 2043                      |   | 466.26                    |
| 10-Bit Asynchronous Mode 0 (228 μs) | 0                     | 2                         |   | 0.91                      |
|                                     | 1                     | 423                       |   | 96.90                     |
|                                     | 2                     | 844                       |   | 192.89                    |
|                                     | 3                     | 1265                      |   | 288.88                    |
|                                     | 4                     | 1686                      |   | 384.86                    |
|                                     | 5                     | 2107                      |   | 480.85                    |
| 8-Bit Synchronous Mode (500 μs)     | 0                     | 0                         |   | 1.00                      |
|                                     | 1                     | 138                       |   | 70.00                     |
|                                     | 2                     | 330                       |   | 166.00                    |
|                                     | 3                     | 522                       |   | 262.00                    |
|                                     | 4                     | 714                       |   | 358.00                    |
|                                     | 5                     | 906                       |   | 454.00                    |
| 10-Bit Synchronous Mode (500 μs)    | 0                     | 0                         |   | 1.00                      |
|                                     | 1                     | 170                       |   | 86.00                     |
|                                     | 2                     | 362                       |   | 182.00                    |
|                                     | 3                     | 554                       |   | 278.00                    |
|                                     | 4                     | 746                       |   | 374.00                    |
|                                     | 5                     | 938                       |   | 470.00                    |

## 4.5 PSI5 Transmission Modes

### 4.5.1 Normal Mode

#### 4.5.1.1 Asynchronous Mode

The device can be programmed to respond in asynchronous mode with the following settings:

- TRANS\_MD[1:0] = '00' ("Normal Mode")
- ASYNC = '1' in the DEVCFG6 Register
- TIMESLOTA[9:0] = 0x000 in the DEVCFG3 and DEVCFG4 registers

In asynchronous mode, the device transmits data at a fixed rate ( $t_{ASYNC}$ ) and will not respond to normal sync pulses. However, during initialization phase 1, sync pulses are monitored to decode the Programming Mode Entry Command and allow entry into Programming Mode if the LOCK\_U bit is not set.

#### 4.5.1.2 Simultaneous Sampling Mode

The device can be programmed to respond in Simultaneous Sampling Mode by setting the TRANS\_MD[1:0] bits to "Normal Mode", and by programming the LATENCY bit to "Simultaneous Sampling Mode".

In Simultaneous Sampling Mode, the most recent interpolated acceleration data sample is latched at  $t_{TRIG}$  (rising edge of Sync Pulse) and transmitted starting at the time programmed in TIMESLOTA[9:0], relative to  $t_{TRIG}$ .

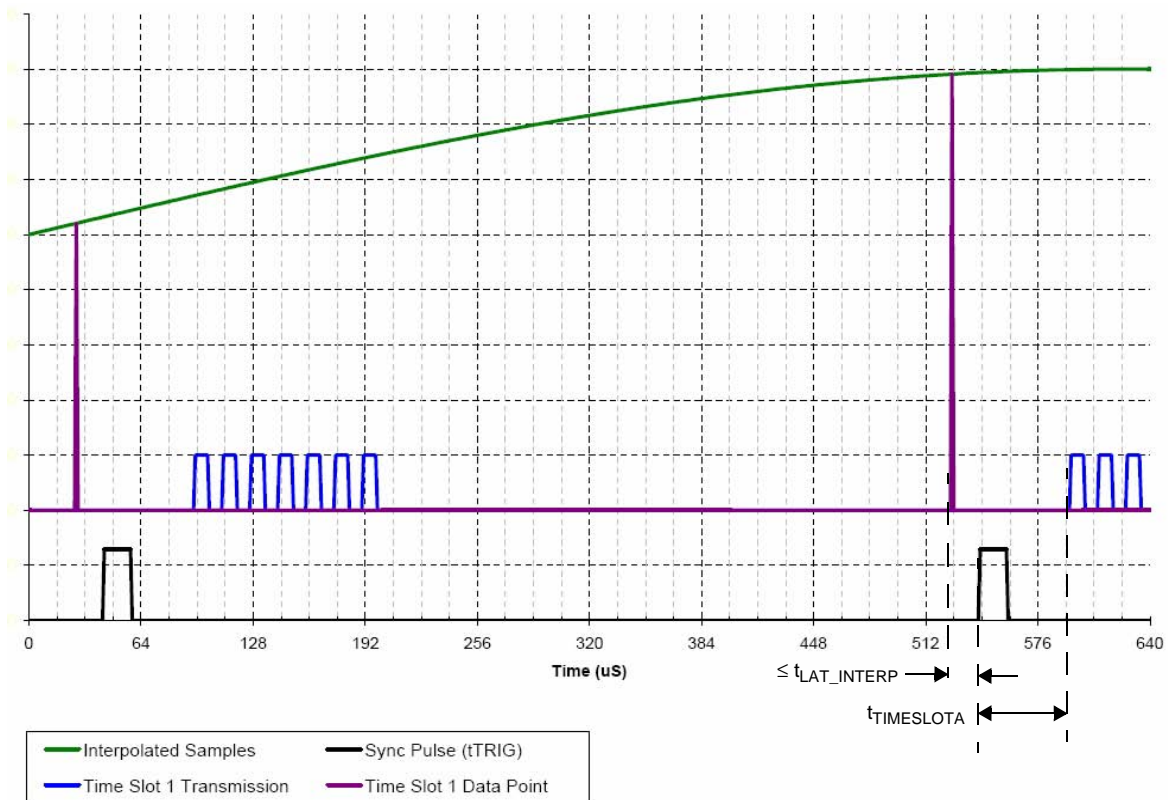


Figure 35. Simultaneous Sampling Mode

### 4.5.1.3 Synchronous Sampling Mode with Minimum Latency

The device can be programmed to respond in Synchronous Sampling Mode with minimum latency by setting the TRANS\_MD[1:0] bits to “Normal Mode”, and by programming the LATENCY bit to “Synchronous Sampling Mode”.

In Synchronous Sampling Mode, the most recent interpolated acceleration data sample is latched at the time programmed in TIMESLOTA[9:0], relative to  $t_{TRIG}$  (rising edge of Sync Pulse). The data is transmitted starting at the time programmed in TIMESLOTA[9:0], relative to  $t_{TRIG}$ .

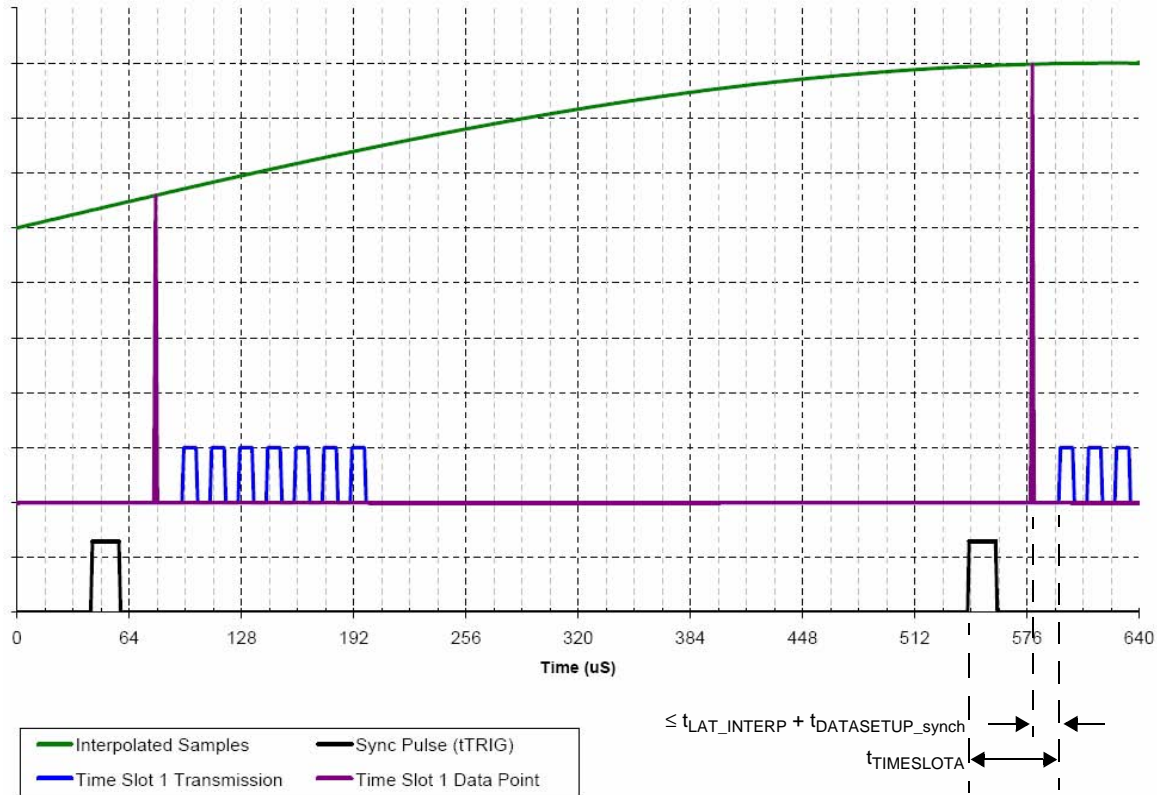


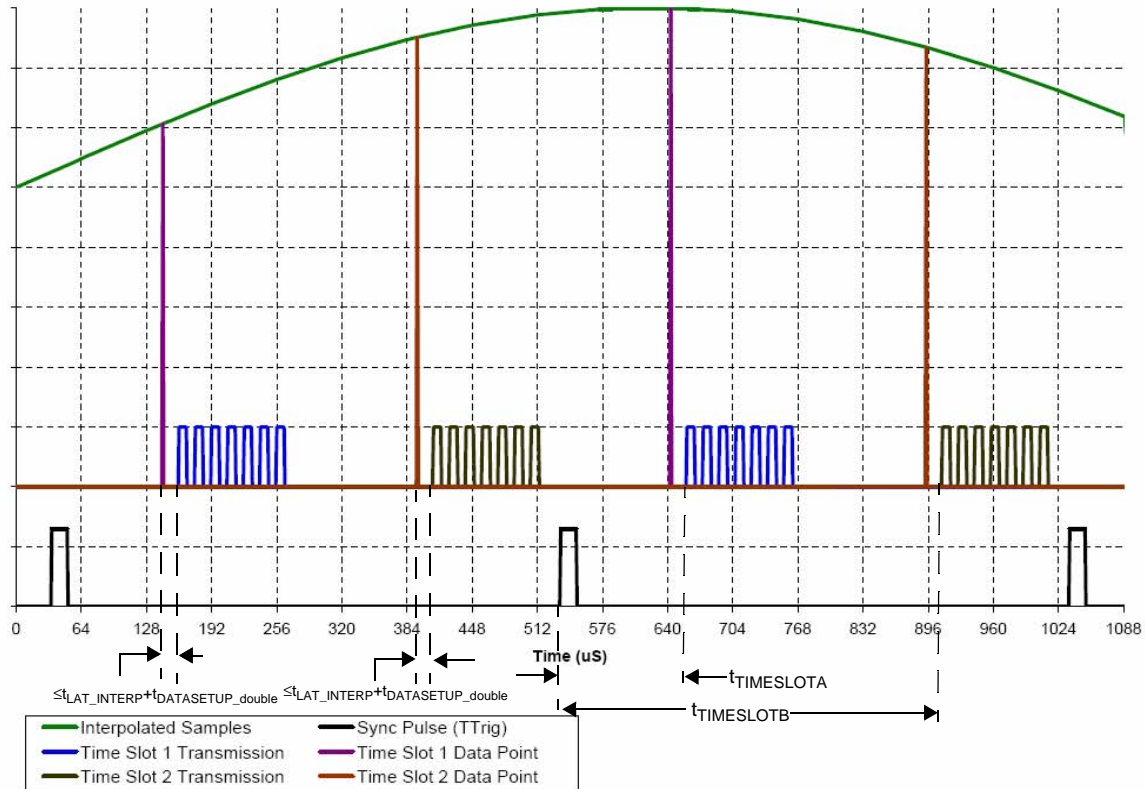
Figure 36. Synchronous Sampling Mode with Minimum Latency

## 4.5.2 Synchronous Double Sample Rate Mode

The device can be programmed to respond in Synchronous Double Sample Rate Mode with minimum latency by setting the TRANS\_MD[1:0] bits to "Synchronous Double Sample Rate Mode". The LATENCY bit does not affect operation in this mode.

In Synchronous Double Sample Rate Mode, the most recent interpolated acceleration data sample is latched at the time programmed in TIMESLOTA[9:0], relative to  $t_{TRIG}$  (rising edge of Sync Pulse). This data is transmitted starting at the time programmed in TIMESLOTA[9:0], relative to  $t_{TRIG}$ . In addition, the most recent interpolated acceleration data sample is latched at the time programmed in TIMESLOTB[9:0], relative to  $t_{TRIG}$  (rising edge of Sync Pulse). This data is transmitted starting at the time programmed in TIMESLOTB[9:0], relative to  $t_{TRIG}$ .

When Synchronous Double Sample Rate Mode is enabled, PSI5 Initialization data is transmitted in both TIMESLOTA[9:0] and TIMESLOTB[9:0]. Identical data is transmitted in both Time slots, including the 10-bit resolution Raw Offset and Self-Test Data in Field 9, D27 though D31 if enabled.



**Figure 37. Synchronous Double Sample Rate Mode**

**Note:** In the event that the programmed values in TIMESLOTA[9:0] and TIMESLOTB[9:0] result in a conflict, no data will be transmitted in TIMESLOTB[9:0].

### 4.5.3 16-Bit Resolution Mode

The device can be programmed to respond in 16-bit Resolution Mode by setting the TRANS\_MD[1:0] bits to “16-bit Resolution Mode”. In this mode, the 26 bit digital output from the DSP is clipped and scaled to a 16-bit word. Figure 38 shows the method used to establish the 16-bit data word from the 26 bit DSP output.

| Over Range       |     |     | Signal |     |     |     |     |     |     |     |     |     | Noise |     |     |    | Margin |    |                |    |     |    |    |    |
|------------------|-----|-----|--------|-----|-----|-----|-----|-----|-----|-----|-----|-----|-------|-----|-----|----|--------|----|----------------|----|-----|----|----|----|
| D25              | D24 | D23 | D22    | D21 | D20 | D19 | D18 | D17 | D16 | D15 | D14 | D13 | D12   | D11 | D10 | D9 | D8     | D7 | D6             | D5 | ... | D2 | D1 | D0 |
| 16-bit Data Word |     |     | D21    | D20 | D19 | D18 | D17 | D16 | D15 | D14 | D13 | D12 | D11   | D10 | D9  | D8 | D7     | D6 | Using Rounding |    |     |    |    |    |

Figure 38. 16-Bit Output Scaling Diagram

16-Bit Resolution Mode can be programmed to operate in either “Simultaneous Sampling Mode”, or “Synchronous Sampling Mode”, by setting the LATENCY bit to the desired operating mode. In Simultaneous Sampling Mode, the most recent interpolated acceleration data sample is latched at  $t_{TRIG}$  (rising edge of Sync Pulse). In Synchronous Sampling Mode, the most recent interpolated acceleration data sample is latched at the time programmed in TIMESLOTA[9:0], relative to  $t_{TRIG}$  (rising edge of Sync Pulse).

The most significant 10 bits (D[21:12]) are truncated and transmitted starting at the time programmed in TIMESLOTA[9:0], relative to  $t_{TRIG}$ . The 16-bit value is then clipped to  $\pm 480$  counts, and the least significant 6 bits (D[15:6]) are transmitted starting at the time programmed in TIMESLOTB[9:0], relative to  $t_{TRIG}$ .

When 16-Bit Resolution Mode is enabled, PSIS Initialization data is transmitted in both TIMESLOTA[9:0] and TIMESLOTB[9:0]. Identical data is transmitted in both Time slots, including the 10-Bit Resolution Raw Offset and Self-Test Data in Field 9, D27 though D31 if enabled.

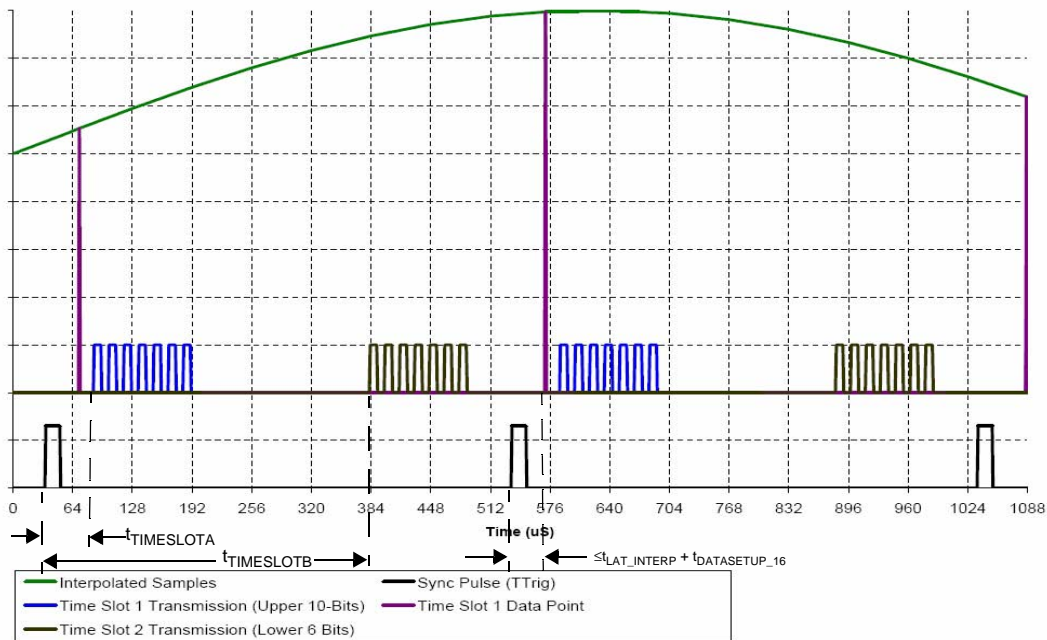


Figure 39. 16-Bit Resolution Mode with Synchronous Sampling

**Note:** In the event that the programmed values in TIMESLOTA[9:0] and TIMESLOTB[9:0] result in a conflict, no data will be transmitted in TIMESLOTB[9:0].

#### 4.5.4 Daisy Chain Mode

The device can be programmed to operate in Daisy Chain Mode by setting the TRANS\_MD[1:0] bits to “Daisy Chain Mode”. Daisy Chain Mode can be programmed to operate in either “Simultaneous Sampling Mode”, or “Synchronous Sampling Mode” by setting the LATENCY bit to the desired operating mode. In Simultaneous Sampling Mode, the most recent interpolated acceleration data sample is latched at  $t_{TRIG}$  (rising edge of Sync Pulse). In Synchronous Sampling Mode, the most recent interpolated acceleration data sample is latched at the time programmed in TIMESLOTA[9:0], relative to  $t_{TRIG}$  (rising edge of Sync Pulse).

When programmed to operate in Daisy Chain Mode, the procedure below is followed:

- On powerup, the device proceeds through normal PSI5 initialization as specified in [Section 4.4](#) using a pre-defined time slot  $t_{TIMESLOT\_DCP}$
- Upon successful completion of Initialization Phase 3, including the 2 “Sensor Ready” or Sensor Defect” messages, responses to sync. pulses are terminated and the device waits for a PSI5 “Set Address” command defined in [Table 14](#) and [Table 15](#).
  - The Daisy Chain Programming command and response formats are defined in [Section 5.4](#).
  - Valid Daisy Chain Addresses are defined in [Table 16](#).
  - The response to the PSI5 Set Address command uses the pre-defined time slot  $t_{TIMESLOT\_DCP}$
- After receiving a valid address and completing the response, sync. pulses are blanked for  $t_{DC\_BLANKING}$ . Once the blanking time expires, the device does not respond to any sync. pulses until a “Run Mode” command is received, as defined in [Table 14](#) and [Table 15](#).
- When the “Run Mode” command is received, the device responds to this command using the programmed daisy chain time slot. All commands are then ignored, and sync pulses are responded to with acceleration data using the following response format, regardless of the state of the relevant bits in the Device Configuration Registers:

| Parameter      | Reference                       | Value   |
|----------------|---------------------------------|---|
| Time Slot      | <a href="#">Section 3.1.4.3</a> | Default time slot specified in <a href="#">Table 16</a> |
| Data Size      | <a href="#">Section 3.1.3.5</a> | 10-bit data   |
| Error Checking | <a href="#">Section 3.1.3.7</a> | Even Parity   |
| Baud Rate      | <a href="#">Section 3.1.3.8</a> | Low Baud Rate: 125 kBaud                                |

- During initialization and Run Mode, the Sync pulse pulldown is enabled as specified in [Section 3.1.3.3](#).

**Table 14. Daisy Chain Programming Commands and Responses**

| #  | CMD Type | SAdr |    |    | FC |    |    | Command                          | Response (OK) |       | Response (Error) |      |
|----|----------|------|----|----|----|----|----|----------------------------------|---------------|-------|------------------|------|
|    |          | A2   | A1 | A0 | F2 | F1 | F0 |                                  | RC            | RD1   | RC               | RD1  |
| D0 | Short    | 0    | 0  | 0  | A2 | A1 | A0 | Set Sensor Address (Daisy Chain) | OK            | SAdr  | Error            | ErrN |
| D1 | Short    | 1    | 1  | 1  | 0  | 0  | 0  | Broadcast Message - “Run Mode”   | OK            | 0x000 | Error            | ErrN |

**Table 15. Daisy Chain Programming Response Code Definitions**

| Response Code | Definition                                   | Value  |
|---------------|--|--------|
| RC = OK       | Command Message Received Properly            | 0x1E1  |
| RC = Error    | Error during transmission of Command Message | 0x1E2  |
| SAdr          | Programmed Sensor Address, prepended with 0s | Varies |

**Table 16. Valid Daisy Chain Addresses**

| Sensor Address (SAdr) |    |    | Description   | Bus Switch Control | Default Time Slot   |
|-----------------------|----|----|---|--------------------|---------------------|
| A2                    | A1 | A0 |   |                    |                     |
| 0                     | 0  | 0  | Address of un-programmed sensor                     | N/A                | N/A                 |
| 0                     | 0  | 1  | Sensor Address 1                                    | CLOSED             | $t_{TIMESLOT\_DC1}$ |
| 0                     | 1  | 0  | Sensor Address 2                                    | CLOSED             | $t_{TIMESLOT\_DC2}$ |
| 0                     | 1  | 1  | Sensor Address 3                                    | CLOSED             | $t_{TIMESLOT\_DC3}$ |
| 1                     | 0  | 0  | Sensor Address 4                                    | OPEN               | $t_{TIMESLOT\_DC1}$ |
| 1                     | 0  | 1  | Sensor Address 5                                    | OPEN               | $t_{TIMESLOT\_DC2}$ |
| 1                     | 1  | 0  | Sensor Address 6                                    | OPEN               | $t_{TIMESLOT\_DC3}$ |
| 1                     | 1  | 1  | Global Address for Broadcast Message to all Sensors | N/A                | N/A                 |

## 4.6 Error Handling

### 4.6.1 Sensor Defect Message

The following failures will cause the device to transmit a “Sensor Defect” error message:

| Error Condition             | Error Type  |
|-----------------------------|---|
| Offset Error                | Temporary (Normal transmissions continue once offset returns within limits) |
| Self-Test Failure           | Latched until reset   |
| IDEN_B, IDEF_B flag cleared | Latched until reset   |

### 4.6.2 No Response Error

The following failures will cause the device to stop transmitting:

| Error Condition                   | Error Type   |
|-----------------------------------|--|
| Undervoltage Failure ( $V_{CC}$ ) | Temporary: Normal transmissions continue once voltage returns above failure limit              |
| Under- / Over-Temperature Failure | Temporary: Normal transmissions continue once temperature returns within the specified limits) |



## 5 Programming Mode Via PSI5

### 5.1 Introduction

Programming mode via PSI5 is a synchronous communication mode that allows for bidirectional communication with the device. Programming mode is intended for factory programming of the OTP array. It is not intended for use in normal operation.

### 5.2 Programming Mode Via PSI5 Entry

The device enters programming mode if and only if the following sequence occurs:

- The device is unlocked (the LOCK\_U bit in the DEVCFG2 register is '0').
- At least 31 sync pulses are detected, directly preceding the Programming Mode Entry Short Command during the Programming Mode Entry Window shown in [Figure 32](#).
  - The window timing is defined in [Section 2.6](#) ( $t_{PME}$ ).
  - The Sync pulses and Programming Mode Entry command must be received with a sync pulse period of  $t_{S-S\_PM\_L}$ .

If the Programming Mode entry requirement is not met:

- Programming Mode Entry is blocked until the device is Reset.
- The device proceeds with PSI5 Initialization Phase 2, and PSI5 Initialization Phase 3.
- The device enters normal mode, and responds as programmed to normal sync pulses.

If the Programming Mode entry requirement is met:

- Normal transmissions to sync pulses are terminated.
- After a pre-defined Start Delay, the device begins to decode PSI5 Short and Long Commands.
- The device responds only to valid PSI5 Short and Long Commands addressed to Sensor Address '001', as defined in [Table 18](#).

**Note:** The sync pulse pulldown is disabled in the Programming Mode Entry Window regardless of the state of the SYNC PD bit.

## 5.3 Programming Mode Via PSI5 - Data Link Layer

### 5.3.1 Programming Mode Via PSI5 - Command Bit Encoding

Commands messages are transmitted via the modulation of the supply voltage. The presence of a sync pulse is a logic '1' and the absence of a sync pulse is a logic '0'. Sync pulses are expected at a rate of  $t_{S\_S\_PM\_L}$ .

### 5.3.2 Programming Mode Via PSI5 - Command Message Format

Command message data frames consist of a start condition, 3 Start Bits (S[2:0]), a 3 bit Sensor Address (SAdr[2:0]), a 3-bit Function Code (FC[2:0]), an optional Register Address (RA[5:0]), an optional data field (D[3:0]), and a 3-bit CRC (C[2:0]). The start condition consists of one of the following:

1. A minimum of 5 consecutive logic '0's (with not sync bits)
2. A minimum of 31 consecutive logic '1's

The command message format is shown in [Figure 41](#).

| Start Bits  |    |    | Sensor Address |     |     | Function Code |     |     | Register Address |     |     |     |     |     | Data |    |    |    | CRC |    |    | Response |       |       |
|---|----|----|----------------|-----|-----|---------------|-----|-----|------------------|-----|-----|-----|-----|-----|------|----|----|----|-----|----|----|----------|-------|-------|
| S2  | S1 | S0 | SA0            | SA1 | SA2 | FC0           | FC1 | FC2 | RA0              | RA1 | RA2 | RA3 | RA4 | RA5 | D0   | D1 | D2 | D3 | C2  | C1 | C0 | RC       | RD1   | RD0   |
| 0   | 1  | 0  | 1              | 0   | 0   | 0             | 1   | 0   | 0                | 0   | 0   | 0   | 0   | 0   | 1    | 1  | 1  | 1  | 0   | 0  | 0  | \$3FF    | \$3FF | \$3FF |
| Start Bit Sequence = 010<br>Sensor Address - Fixed at 001 for MMA52xx<br>Function Codes for MMA52xx (Reference <a href="#">Section 5.3.6</a> )<br>Register Address (optional)<br>Data to be written to register (optional)<br>CRC |    |    |                |     |     |               |     |     |                  |     |     |     |     |     |      |    |    |    |     |    |    |          |       |       |

**Figure 40. Programming Mode Via PSI5 Command Data Format**

Bit stuffing is necessary to maintain a synchronized time base between the command master and the device. A logic '1' Sync bit is added every 4<sup>th</sup> bit in the command message to ensure there will never be more than 3 logic '0' bits in a row.

| Start Bits |    |    | Sensor Address |     |     | Function Code |    |     | Register Address |     |    |     |     |     | Data |     |     |     | CRC |    |    | Response |    |    |    |    |    |    |       |       |       |
|------------|----|----|----------------|-----|-----|---------------|----|-----|------------------|-----|----|-----|-----|-----|------|-----|-----|-----|-----|----|----|----------|----|----|----|----|----|----|-------|-------|-------|
| S2         | S1 | S0 | Sy             | SA0 | SA1 | SA2           | Sy | FC0 | FC1              | FC2 | Sy | RA0 | RA1 | RA2 | Sy   | RA3 | RA4 | RA5 | Sy  | D0 | D1 | D2       | Sy | D3 | C2 | C1 | Sy | C0 | RC    | RD1   | RD0   |
| 0          | 1  | 0  | 1              | 1   | 0   | 0             | 1  | 0   | 0                | 0   | 1  | 0   | 0   | 0   | 1    | 0   | 0   | 0   | 1   | 1  | 1  | 1        | 1  | 1  | 0  | 0  | 1  | 0  | \$1E2 | \$3FF | \$3FF |

**Figure 41. Programming Mode Via PSI5 Command Data Format with Sync Bits**

Once a command is received and verified, the device expects 2 to 3 consecutive sync pulses (depending upon the command message lengths described below). For each of these sync pulses, the device will respond with the following settings:

| Parameter           | Register Bits | Reference                       | Value               |
|---------------------|---------------|---------------------------------|---------------------|
| Time Slot           | N/A           | N/A                             | $t_{TIMESLOT\_DC1}$ |
| Data Size           | DATASIZE = 0  | <a href="#">Section 3.1.3.5</a> | 10-bit data         |
| Error Checking      | P_CRC = 0     | <a href="#">Section 3.1.3.7</a> | Even Parity         |
| Baud Rate           | BAUD          | <a href="#">Section 3.1.3.8</a> | 125 kBaud           |
| Sync Pulse Pulldown | SYNCPD        | <a href="#">Section 3.1.3.3</a> | Disabled            |

**Figure 42. Programming Mode Via PSI5 Response Message Settings**

### 5.3.2.1 Short Frame Command and Response Format

Short frames are the simplest type of command message. No data is transmitted in a short frame command. Only specific instructions are performed in response to short frame commands. The Short Frame format is shown in Figure 43. Short Frame commands and responses are defined in Section 5.3.6, Table 18.

| Start Bits |    |    |    | Sensor Address |     |     | Function Code |     |     | CRC |    |    | Response |    |       |       |
|------------|----|----|----|----------------|-----|-----|---------------|-----|-----|-----|----|----|----------|----|-------|-------|
| S2         | S1 | S0 | Sy | SA0            | SA1 | SA2 | Sy            | FC0 | FC1 | FC2 | Sy | C2 | C1       | C0 | RC    | RD1   |
| 0          | 1  | 0  | 1  | 1              | 0   | 0   | 1             | 0   | 0   | 1   | 1  | 0  | 0        | 0  | \$1E2 | \$3FF |

Figure 43. Programming Mode Via PS15 Short Command and Response Format

### 5.3.2.2 Long Frame Command and Response Format

Long frames allow for the transmission of data nibbles for register writes. The device can provide register data in response to a read or write request. The Long Frame format is shown in Figure 44. Long Frame commands and responses are defined in Section 5.3.6.

| Start Bits |    |    | Sensor Address |     |     |     | Function Code |     |     | Register Address |    |     |     |     | Data |     |     |     |    | CRC |    |    |    | Response |    |    |    |    |    |     |     |   |       |       |       |
|------------|----|----|----------------|-----|-----|-----|---------------|-----|-----|------------------|----|-----|-----|-----|------|-----|-----|-----|----|-----|----|----|----|----------|----|----|----|----|----|-----|-----|---|-------|-------|-------|
| S2         | S1 | S0 | Sy             | SA0 | SA1 | SA2 | Sy            | FC0 | FC1 | FC2              | Sy | RA0 | RA1 | RA2 | Sy   | RA3 | RA4 | RA5 | Sy | D0  | D1 | D2 | Sy | D3       | C2 | C1 | Sy | C0 | RC | RD1 | RD0 |   |       |       |       |
| 0          | 1  | 0  | 1              | 1   | 0   | 0   | 1             | 0   | 1   | 0                | 1  | 0   | 0   | 0   | 1    | 0   | 0   | 0   | 1  | 1   | 1  | 1  | 1  | 1        | 1  | 1  | 1  | 1  | 0  | 0   | 1   | 0 | \$1E2 | \$3FF | \$3FF |

Figure 44. Programming Mode Via PS15 Long Command and Response Format

### 5.3.3 Command Message CRC

Programming mode command error checking is accomplished by a 3-bit CRC. The 3-bit CRC is calculated using all message bits except start bits and sync bits. The CRC verification uses a generator polynomial of  $g(x) = X^3 + X + 1$ , with a seed value = '111'. The data is provided to the CRC calculator in the order received (LSB first, SAdr, FC, RAdr, Data), and then augmented with three '0's. Table 8 shows some example CRC calculation values for 10-bit data transmissions.

The calculated CRC is then compared against the received 3-bit CRC (received MSB first). If a CRC mismatch is detected, the device responds with a CRC Error response as defined in Section 5.3.7.

### 5.3.4 Command Sync Pulse Blanking Time

In Programming Mode and Programming Mode Entry, the device employs a fixed Sync Pulse blanking time of  $t_{\text{SYNC\_OFF\_500}}$  regardless of the state of the BLANKTIME bit.

### 5.3.5 Command Timeout

In the event that the device does not detect a sync pulse within a 4-bit window time (missing sync bit), the command reception will be terminated and the device will respond to the next sync pulse with a Short Frame Framing Error response as defined in Section 5.3.7.

### 5.3.6 Programming Mode Via PSI5 Command and Response Summary

Table 17. Programming Mode Via PSI5 Commands and Responses

| #   | CMD Type | SAdr | FC  | Command                                | Register Address | Data Field | Response (OK) |       |         | Response (Error) |      |       |
|-----|----------|------|-----|--|------------------|------------|---------------|-------|---------|------------------|------|-------|
|     |          |      |     |  |                  |            | RC            | RD1   | RD0     | RC               | RD1  | RD0   |
| S0  | Short    | 001  | 100 | Execute Programming of NVM             | N/A              | N/A        | OK            | 0x2AA | N/A     | Error            | ErrN | N/A   |
| S1  | Short    |      | 101 | Invalid Command                        | N/A              | N/A        | No Response   |       |         | No Response      |      |       |
| S2  | Short    |      | 110 | Invalid Command                        | N/A              | N/A        | No Response   |       |         | No Response      |      |       |
| S3  | Short    |      | 111 | Enter Programming Mode                 | N/A              | N/A        | OK            | 0x0CA | N/A     | No Response      |      |       |
| LR  | Long     |      | 010 | Read nibble located at address RA5:RA0 | Varies           | Varies     | OK            | RData | RData+1 | Error            | ErrN | 0x000 |
| LW  | Long     |      | 011 | Write nibble to register RA5:RA0       | Varies           | Varies     | OK            | WData | RA5:RA0 | Error            | ErrN | 0x000 |
| XLR | XLong    |      | 000 | Invalid Command                        | Any              | Any        | No Response   |       |         | No Response      |      |       |
| XLW | XLong    |      | 001 | Invalid Command                        | Any              | Any        | No Response   |       |         | No Response      |      |       |

**Note:** When reading the last address in the data array, RData+1 will always return 0x00.

Table 18. Programming Mode Via PSI5 Response Code Definitions

| Response Code | Definition  | Value  |
|---------------|---|--------|
| RC = OK       | Command Message Received Properly   | 0x1E1  |
| RC = Error    | Error during transmission of Command Message  | 0x1E2  |
| RData         | Byte Contents of Register located at Byte address in which nibble address RA5:RA0 falls in. (Example: For RA5:RA0 = \$04 - RData = Data at Byte Address \$02)                       | Varies |
| RData + 1     | Byte Contents of Register located at Byte address in which nibble address RA5:RA0 +2 falls in. (Example: For RA5:RA0 = \$04 - RData + 1 = Data at Byte Address \$03)                | Varies |
| WData         | Byte Contents of Register located at Byte address in which nibble address RA5:RA0 falls in after write operation. (Example: For RA5:RA0 = \$04 - RData = Data at Byte Address \$02) | Varies |

### 5.3.7 Programming Mode Via PSI5 Error Response Summary

Table 19. Error Response Summary

| ErrN* | Mnemonic      | Description                                     | Supported By MMA52xx            |
|-------|---------------|---|---------------------------------|
| 0000  | General       | General Error                                   | No                              |
| 0001  | Framing       | Framing Error                                   | Yes                             |
| 0010  | CRC           | CRC Error on Received Message                   | Yes                             |
| 0011  | Address       | Sensor Address Not Supported                    | No (Invalid Address is ignored) |
| 0100  | FC            | Function Code Not Supported                     | No (N/A)                        |
| 0101  | Data Range    | Unsupported Register Address                    | Yes                             |
| 0110  | Write Protect | Destination Address is Write protected (Locked) | Yes                             |
| 0111  | Reserved      | Reserved  | No                              |
| 1000  | Reserved      | Reserved  | No                              |
| 1001  |               |   |                                 |
| 1010  |               |   |                                 |
| 1011  |               |   |                                 |
| 1100  |               |   |                                 |
| 1101  |               |   |                                 |
| 1110  |               |   |                                 |
| 1111  |               |   |                                 |

\* ErrN is transmitted in the 4 LSBs of RD1. All other bits in the response data field are set to '0'.

## 5.4 OTP Programming Via PSI5 Procedure

1. Enter Programming Mode.
2. Load desired data into the OTP shadow registers using PSI5 Long Write commands.
3. Send “Execute Programming of NVM” Short command.
4. Set  $V_{CC} = V_{PP}$  prior to, or within  $t_{PROG\_HOLD}$  after the response to the “Execute Programming of NVM” Command has been received. There is an internal delay of  $t_{PROG\_DELAY}$  after the “Execute Programming of NVM” Command is received until the OTP programming begins.
  - a. OTP write time depends on the number of bits being written to ‘1’. Each bit that is programmed requires  $t_{PROG\_BIT}$ .
  - b. During the OTP Write sequence, sync pulses will be ignored. However, transmission of sync pulses during the OTP Write sequence should be prevented.
5. Read the SC register and verify IDEF\_B flag is set (indicating the write is complete and successful, and the shadow registers have been refreshed with the OTP contents).
6. Read the OTP register values and compare to the desired values.

## 6 Package

### 6.1 Case Outline Drawing

Reference Freescale Case Outline Drawing # 98ASA00090D

[http://www.freescale.com/files/shared/doc/package\\_info/98ASA00090D.pdf](http://www.freescale.com/files/shared/doc/package_info/98ASA00090D.pdf)

### 6.2 Recommended Footprint

Reference Freescale Application Note AN3111, latest revision:

[http://www.freescale.com/files/sensors/doc/app\\_note/AN3111.pdf](http://www.freescale.com/files/sensors/doc/app_note/AN3111.pdf)

Table 20. Revision History

| Revision number | Revision date | Description of changes   |
|-----------------|---------------|--|
| 9               | 03/2012       | <ul style="list-style-type: none"><li>• Added SafeAssure logo, changed first paragraph and disclaimer to include trademark information.</li><li>• Section 3.1.2.1: Removed Axis column in table.</li></ul> |

## **How to Reach Us:**

### **Home Page:**

[www.freescale.com](http://www.freescale.com)

### **Web Support:**

<http://www.freescale.com/support>

### **USA/Europe or Locations Not Listed:**

Freescale Semiconductor, Inc.  
Technical Information Center, EL516  
2100 East Elliot Road  
Tempe, Arizona 85284  
1-800-521-6274 or +1-480-768-2130  
[www.freescale.com/support](http://www.freescale.com/support)

### **Europe, Middle East, and Africa:**

Freescale Halbleiter Deutschland GmbH  
Technical Information Center  
Schatzbogen 7  
81829 Muenchen, Germany  
+44 1296 380 456 (English)  
+46 8 52200080 (English)  
+49 89 92103 559 (German)  
+33 1 69 35 48 48 (French)  
[www.freescale.com/support](http://www.freescale.com/support)

### **Japan:**

Freescale Semiconductor Japan Ltd.  
Headquarters  
ARCO Tower 15F  
1-8-1, Shimo-Meguro, Meguro-ku,  
Tokyo 153-0064  
Japan  
0120 191014 or +81 3 5437 9125  
[support.japan@freescale.com](mailto:support.japan@freescale.com)

### **Asia/Pacific:**

Freescale Semiconductor China Ltd.  
Exchange Building 23F  
No. 118 Jianguo Road  
Chaoyang District  
Beijing 100022  
China  
+86 10 5879 8000  
[support.asia@freescale.com](mailto:support.asia@freescale.com)

### **For Literature Requests Only:**

Freescale Semiconductor Literature Distribution Center  
1-800-441-2447 or +1-303-675-2140  
Fax: +1-303-675-2150  
[LDCForFreescaleSemiconductor@hibbertgroup.com](mailto:LDCForFreescaleSemiconductor@hibbertgroup.com)

Information in this document is provided solely to enable system and software implementers to use Freescale Semiconductor products. There are no express or implied copyright licenses granted hereunder to design or fabricate any integrated circuits or integrated circuits based on the information in this document.

Freescale Semiconductor reserves the right to make changes without further notice to any products herein. Freescale Semiconductor makes no warranty, representation or guarantee regarding the suitability of its products for any particular purpose, nor does Freescale Semiconductor assume any liability arising out of the application or use of any product or circuit, and specifically disclaims any and all liability, including without limitation consequential or incidental damages. "Typical" parameters that may be provided in Freescale Semiconductor data sheets and/or specifications can and do vary in different applications and actual performance may vary over time. All operating parameters, including "Typicals", must be validated for each customer application by customer's technical experts. Freescale Semiconductor does not convey any license under its patent rights nor the rights of others. Freescale Semiconductor products are not designed, intended, or authorized for use as components in systems intended for surgical implant into the body, or other applications intended to support or sustain life, or for any other application in which the failure of the Freescale Semiconductor product could create a situation where personal injury or death may occur. Should Buyer purchase or use Freescale Semiconductor products for any such unintended or unauthorized application, Buyer shall indemnify and hold Freescale Semiconductor and its officers, employees, subsidiaries, affiliates, and distributors harmless against all claims, costs, damages, and expenses, and reasonable attorney fees arising out of, directly or indirectly, any claim of personal injury or death associated with such unintended or unauthorized use, even if such claim alleges that Freescale Semiconductor was negligent regarding the design or manufacture of the part.

Freescale and the Freescale logo are trademarks of Freescale Semiconductor, Inc., Reg. U.S. Pat. & Tm. Off. SafeAssure and Xtrinsic are trademarks of Freescale Semiconductor, Inc.

All other product or service names are the property of their respective owners.

© 2012 Freescale Semiconductor, Inc. All rights reserved.

RoHS-compliant and/or Pb-free versions of Freescale products have the functionality and electrical characteristics of their non-RoHS-compliant and/or non-Pb-free counterparts. For further information, see <http://www.freescale.com> or contact your Freescale sales representative.

For information on Freescale's Environmental Products program, go to <http://www.freescale.com/epp>.