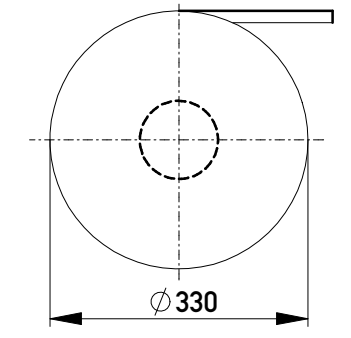
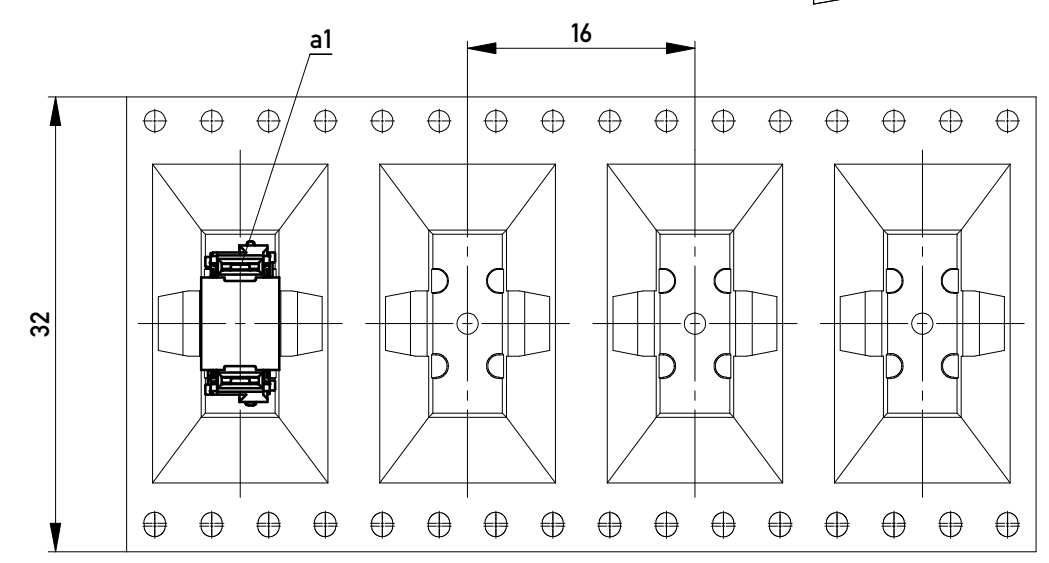


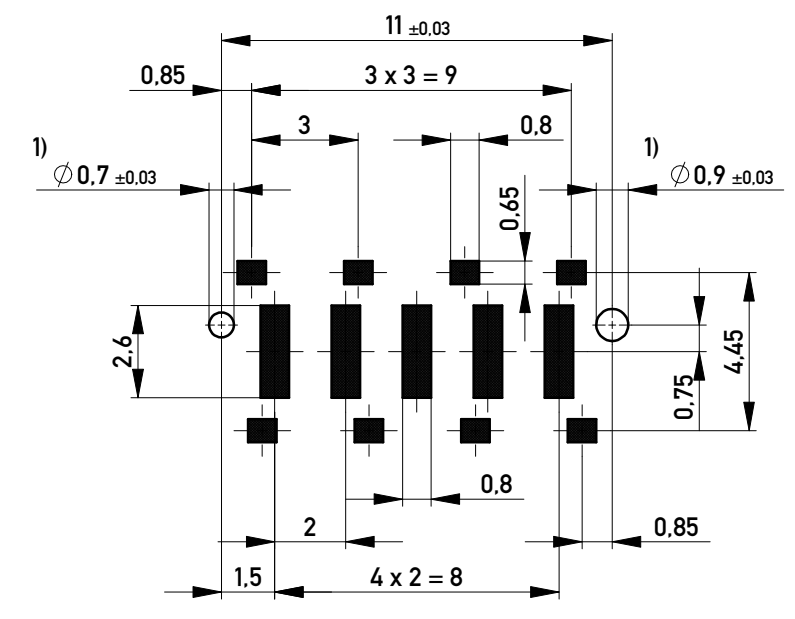
Verpackt in Gurtverpackung
 Tape on Reel Packaging
 Verpackungseinheit: 300 Stück
 Packaging unit: 300 pcs



Abspulrichtung - Reel off Direction



Leiterplatten-Layout Vorschlag / PCB-Layout Proposal



1) Durchmesser des Bohrers / Drill tool

- Anforderungsstufe 1
Performance Level 1
- Kontaktbereich vergoldet
Mating Area gold plating
- Anschlussbereich verzinkt 4-6µm
Terminal Area 4-6µm tin plating
- Koplanarität der Anschlüsse ≤ 0.1mm
Coplanarity Area of Termination ≤ 0.1mm

Information:	Tolerances	 All Dimensions in mm	Scale	5:1
	All rights reserved. Only for Information. To ensure that this is the latest version of this drawing, please contact one of the ERNI companies before using.		Designation Federleiste SMD, Powerm. 8mm Female Con. SMD, Powerm. 8mm	
Subject to modification without prior notice. Drawing will not be updated.		 www.ERNI.com	100400630001	
g	13.09.2012		Class	MSPEED
Index	Date			K A4

Copyright by ERNI GmbH
 Proprietary notice pursuant to ISO 16016 to be observed.