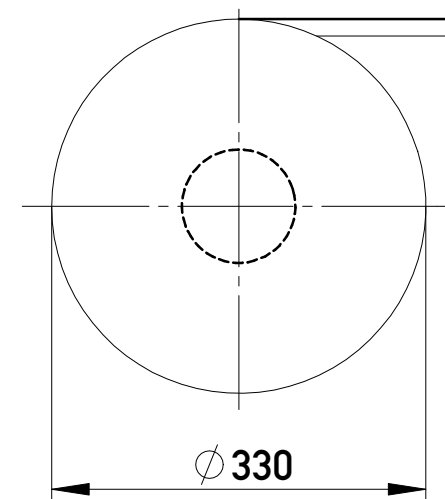
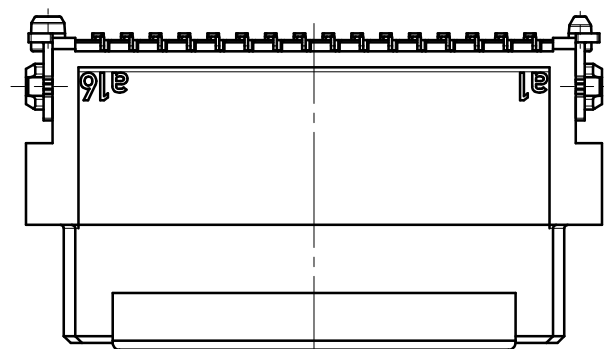
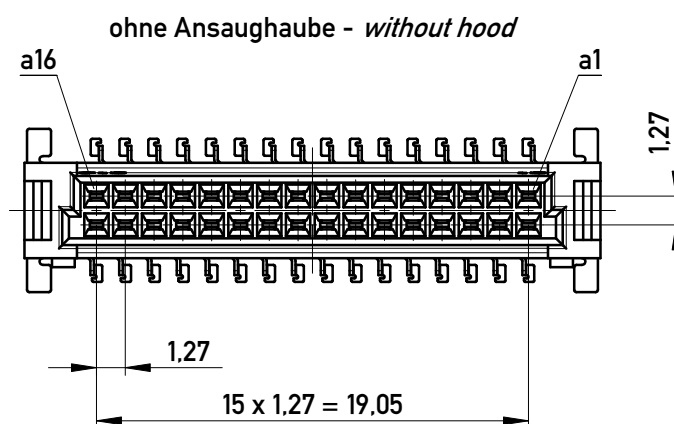
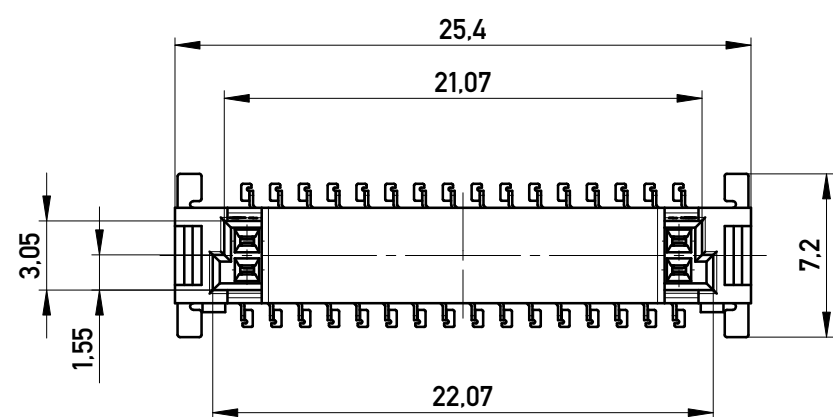
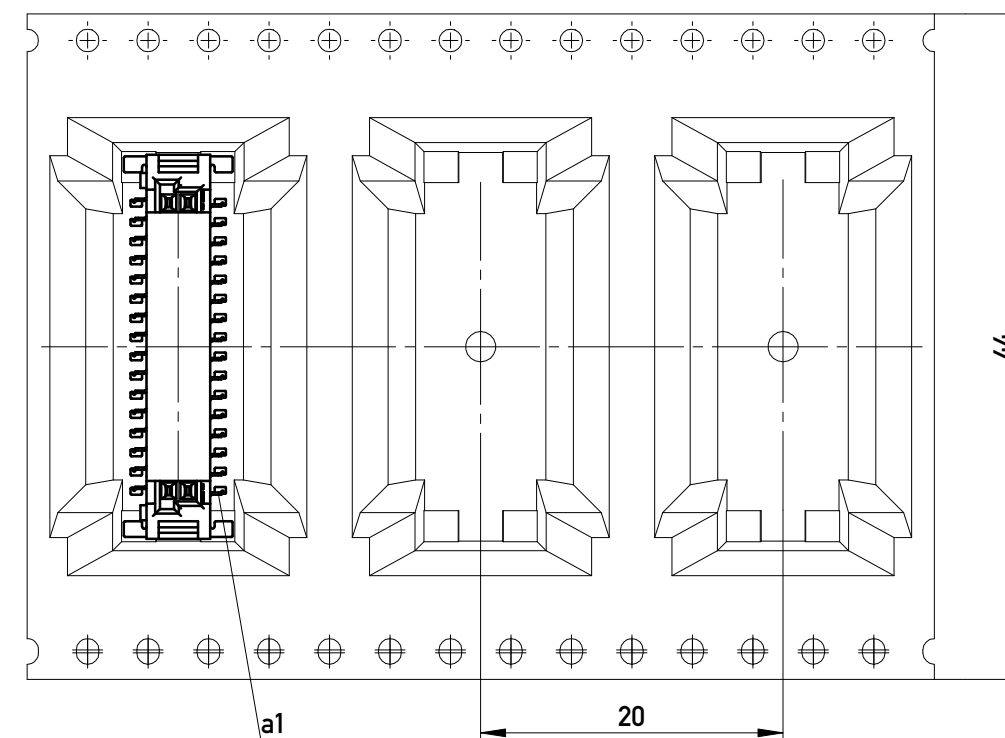


Verpackt im Gurt nach DIN IEC 60286-3  
 Tape on Reel Packaging according to DIN IEC 60286-3  
 Verpackungseinheit: 170 Stück  
 Packaging unit: 170 pcs



Abspulrichtung - Reel off Direction



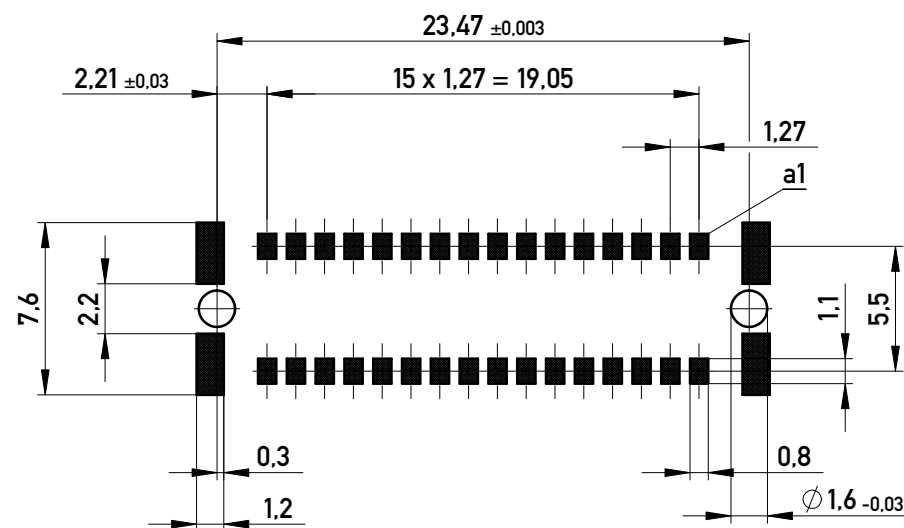
Anforderungsstufe 1  
 Performance Level 1

Kontaktbereich vergoldet  
 Mating Area gold plating

Anschlussbereich verzinkt 4-6 µm  
 Terminal Area 4-6 µm tin plating

Koplanarität der Anschlüsse ≤ 0,1 mm  
 Coplanarity Area of Termination ≤ 0,1 mm

Leiterplatten-Layout Vorschlag für SMT  
 PCB-Layout Proposal for SMT



BA 7-23 - hohe Bauhöhe  
 type 7-23 - high profile

Information:		Tolerances	Scale 3:1	All Dimensions in mm	
All rights reserved. Only for Information. To ensure that this is the latest version of this drawing, please contact one of the ERNI companies before using.		Subject to modification without prior notice. Drawing will not be updated.	Designation <b>Federl. SMC-B 32-SMD-BA7-23</b> <b>Female SMC-B 32-SMT-type7-23</b>		
www.ERNI.com		100703440002		K	
Date 24.02.2014		Class SMCB		A3	

Copyright by ERNI GmbH  
 Proprietary notice pursuant to ISO 16016 to be observed.