

# FAN7361, FAN7362 High-Side Gate Driver

## Features

- Floating Channel Designed for Bootstrap Operation to +600V
- Typically 250mA/500mA Sourcing/Sinking Current Driving Capability
- Common-Mode dv/dt Noise Canceling Circuit
- $V_{CC}$  &  $V_{BS}$  Supply Range from 10V to 20V
- UVLO Function for  $V_{BS}$
- Output In-phase with Input Signal
- 8-SOP

## Applications

- PDP Scan Driver
- Motor Control
- SMPS
- Electronic Ballast

## Description

The FAN7361/FAN7362, a monolithic high-side gate drive IC, can drive MOSFETs and IGBTs that operate up to +600V. Fairchild's high-voltage process and common-mode noise canceling techniques provide stable operation of the high-side driver under high dv/dt noise circumstances. An advanced level shift circuit offers high-side gate driver operation up to  $V_S = -9.8V$ (typ.) for  $V_{BS} = 15V$ .

The UVLO circuit prevents malfunction when  $V_{BS}$  is lower than the specified threshold voltage. Output drivers typically source/sink 250mA/500mA, respectively, which is suitable for fluorescent lamp ballast, PDP scan driver, motor control, and so on.

8-SOP



## Ordering Information

Part Number	Package	Operating Temperature Range	Eco Status	Packing Method
FAN7361M <sup>(1)</sup>	8-SOP	-40°C ~ 125°C	RoHS	Tube
FAN7361MX <sup>(1)</sup>				Tape & Reel
FAN7362M <sup>(1)</sup>				Tube
FAN7362MX <sup>(1)</sup>				Tape & Reel

### Note:

1. These devices passed wave soldering test by JESD22A-111.



For Fairchild's definition of Eco Status, please visit: [http://www.fairchildsemi.com/company/green/rohs\\_green.html](http://www.fairchildsemi.com/company/green/rohs_green.html).

### Typical Application Circuit

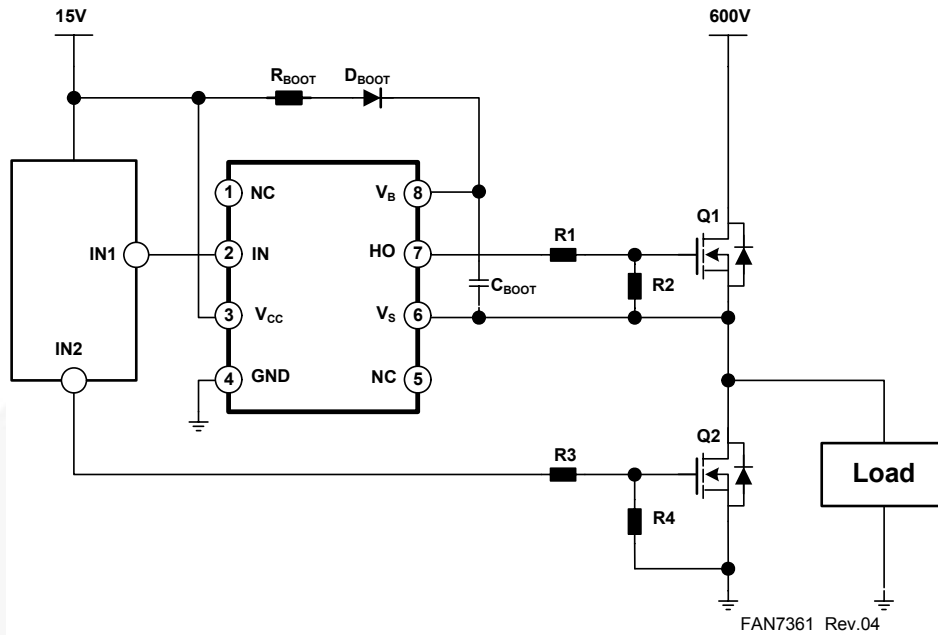


Figure 1. Typical Application Circuit

### Internal Block Diagram

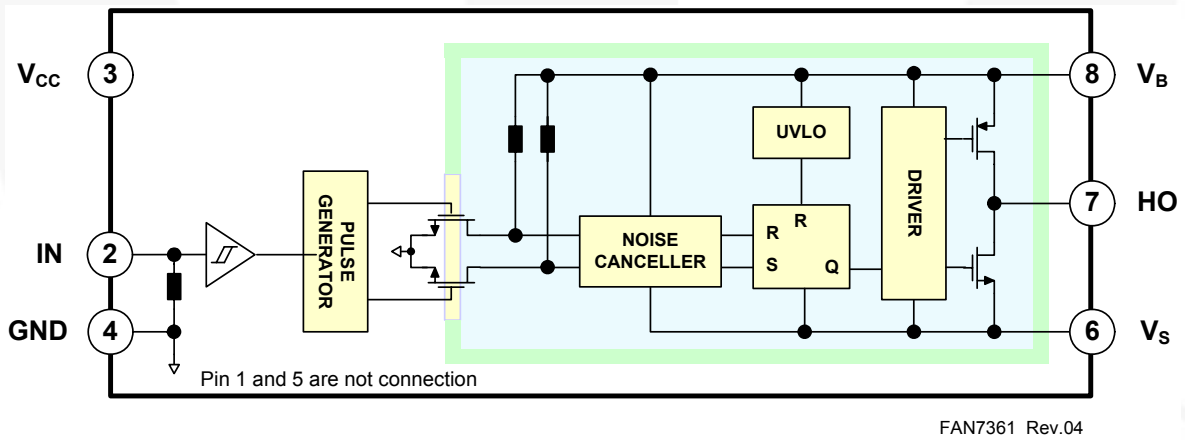
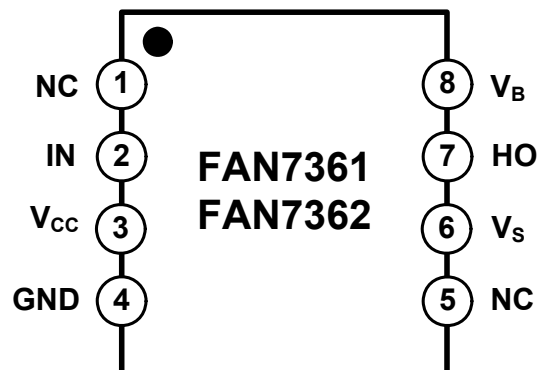


Figure 2. Functional Block Diagram

### Pin Assignments



FAN7361 Rev.04

Figure 3. Pin Configuration (Top View)

### Pin Definitions

Pin	Name	Function/ Description
1	NC	No Connection
2	IN	Logic Input for High-Side Gate Driver Output
3	V <sub>CC</sub>	Supply Voltage
4	GND	Logic Ground
5	NC	No Connection
6	V <sub>S</sub>	High-Voltage Floating Supply Return
7	HO	High-Side Driver Output
8	V <sub>B</sub>	High-Side Floating Supply

## Absolute Maximum Ratings

Stresses exceeding the absolute maximum ratings may damage the device. The device may not function or be operable above the recommended operating conditions and stressing the parts to these levels is not recommended. In addition, extended exposure to stresses above the recommended operating conditions may affect device reliability. The absolute maximum ratings are stress ratings only.  $T_A=25^{\circ}\text{C}$ , unless otherwise specified.

Symbol	Characteristics	Min.	Max.	Unit
$V_S$	High-Side Offset Voltage	$V_B-25$	$V_B+0.3$	V
$V_B$	High-Side Floating Supply Voltage	-0.3	625	
$V_{HO}$	High-Side Floating Output Voltage	$V_S-0.3$	$V_B+0.3$	
$V_{CC}$	Logic Fixed Supply Voltage	-0.3	25	
$V_{IN}$	Logic Input Voltage	-0.3	$V_{CC}+0.3$	
$dV_S/dt$	Allowable Offset Voltage Slew Rate		$\pm 50$	V/ns
$P_D^{(2)(3)(4)}$	Power Dissipation		0.625	W
$\theta_{JA}$	Thermal Resistance, Junction-to-Ambient		200	$^{\circ}\text{C}/\text{W}$
$T_J$	Junction Temperature		+150	$^{\circ}\text{C}$
$T_S$	Storage Temperature		+150	$^{\circ}\text{C}$
$T_A$	Ambient Temperature	-40	+125	$^{\circ}\text{C}$

### Notes:

- Mounted on 76.2 x 114.3 x 1.6mm PCB (FR-4 glass epoxy material).
- Refer to the following standards:
  - JESD51-2: Integral circuits thermal test method environmental conditions - Natural convection
  - JESD51-3: Low effective thermal conductivity test board for leaded surface mount packages
- Do not exceed  $P_D$  under any circumstances.

## Recommended Operating Conditions

The Recommended Operating Conditions table defines the conditions for actual device operation. Recommended operating conditions are specified to ensure optimal performance to the datasheet specifications. Fairchild does not recommend exceeding them or designing to Absolute Maximum Ratings.

Symbol	Parameter	Min.	Max.	Unit
$V_B$	High-Side Floating Supply Voltage	$V_S+10$	$V_S+20$	V
$V_S$	High-Side Floating Supply Offset Voltage	$6-V_{CC}$	600	
$V_{HO}$	High-Side Output Voltage	$V_S$	$V_B$	
$V_{IN}$	Logic Input Voltage	GND	$V_{CC}$	
$V_{CC}$	Logic Supply Voltage	10	20	

## Electrical Characteristics

$V_{BIAS}(V_{CC}, V_{BS})=15.0V$ ,  $T_A = 25^\circ C$ , unless otherwise specified. The  $V_{IN}$  and  $I_{IN}$  parameters are referenced to GND. The  $V_O$  and  $I_O$  parameters are referenced to  $V_S$  and are applicable to the respective output HO.

Symbol	Characteristics	Test Condition	Min.	Typ.	Max.	Unit	
$V_{BSUV+}$	$V_{BS}$ Supply Under-Voltage Positive Going Threshold	$V_{BS}=\text{Sweep}$	FAN7361	8.2	9.2	10.2	V
			FAN7362	7.6	8.6	9.6	
$V_{BSUV-}$	$V_{BS}$ Supply Under-Voltage Negative Going Threshold	$V_{BS}=\text{Sweep}$	FAN7361	7.4	8.6	9.2	
			FAN7362	7.2	8.2	9.2	
$V_{BSHYS}$	$V_{BS}$ Supply Under-Current Lockout Hysteresis	$V_{BS}=\text{Sweep}$	FAN7361		0.5		
			FAN7362		0.4		
$I_{LK}$	Offset Supply Leakage Current	$V_B=V_S=600V$			10	$\mu A$	
$I_{QBS}$	Quiescent $V_{BS}$ Supply Current	$V_{IN}=0V$ or $5V$		50	80		
$I_{QCC}$	Quiescent $V_{CC}$ Supply Current	$V_{IN}=0V$		30	75		
$I_{PBS}$	Operating $V_{BS}$ Supply Current	$C_L=1nF$ , $f=10kHz$		420	550		
$V_{IH}$	Logic "1" Input Voltage		FAN7361	3.6			V
			FAN7362	2.9			
$V_{IL}$	Logic "0" Input Voltage		FAN7361			1.0	
			FAN7362			0.8	
$V_{OH}$	High Level Output Voltage, $V_B-V_{HO}$	No load			0.1		
$V_{OL}$	Low Level Output Voltage, $V_{HO}$	No load			0.1		
$I_{IN+}$	Logic "1" Input Bias Current	$V_{IN}=5V$		50	90	$\mu A$	
$I_{IN-}$	Logic "0" Input Bias Current	$V_{IN}=0V$		1.0	2.0	$\mu A$	
$I_{O+}$	Output High Short Circuit Pulse Current	$V_{HO}=0V$ , $V_{IN}=5V$ , $PW \leq 10\mu s$	200	250		mA	
$I_{O-}$	Output Low Short Circuit Pulse Current	$V_{HO}=15V$ , $V_{IN}=0V$ , $PW \leq 10\mu s$	400	500			
$V_S$	Allowable Negative $V_S$ Pin Voltage for IN Signal Propagation to HO			-9.8	-7.0	V	

## Dynamic Electrical Characteristics

$V_{BIAS}(V_{CC}, V_{BS})=15.0V$ ,  $V_S=GND$ ,  $C_L=1000pF$  and  $T_A = 25^\circ C$ , unless otherwise specified.

Symbol	Characteristics	Test Condition	Min.	Typ.	Max.	Unit
$t_{on}$	Turn-on Propagation Delay	$V_S=0V$		120	200	ns
$t_{off}$	Turn-off Propagation Delay <sup>(5)</sup>	$V_S=0V$ or $600V$		90	180	
$t_r$	Turn-on Rise Time			70	160	
$t_f$	Turn-off Fall Time			30	100	

### Note:

5. This parameter guaranteed by design.

### Typical Characteristics

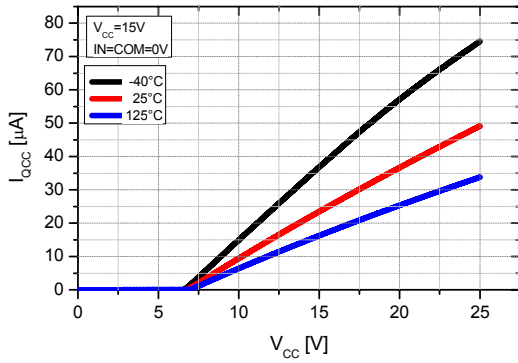


Figure 4.  $I_{QCC}$  vs. Supply Voltage

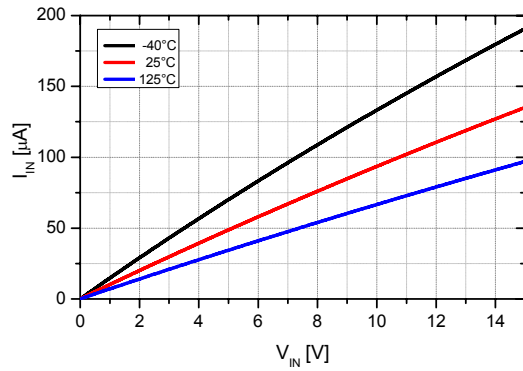


Figure 5. Input Bias Current vs. Input Voltage

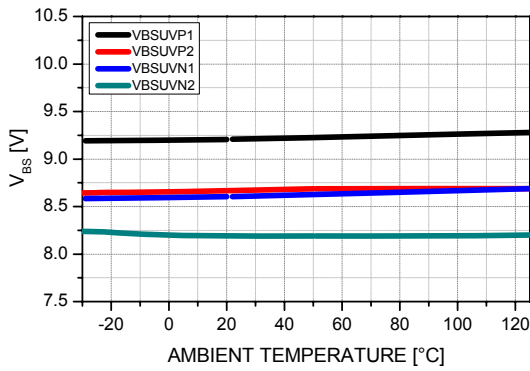


Figure 6.  $V_{BS}$  UVLO vs. Temp.

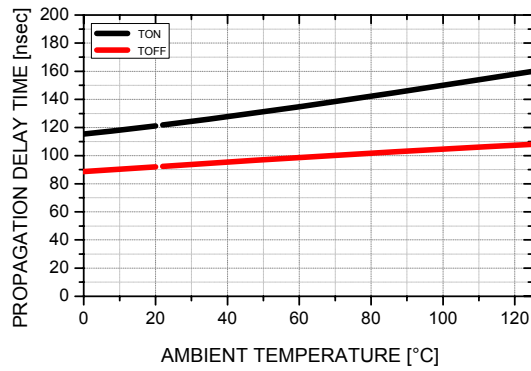


Figure 7. Turn On/Off Propagation Time vs. Temp.

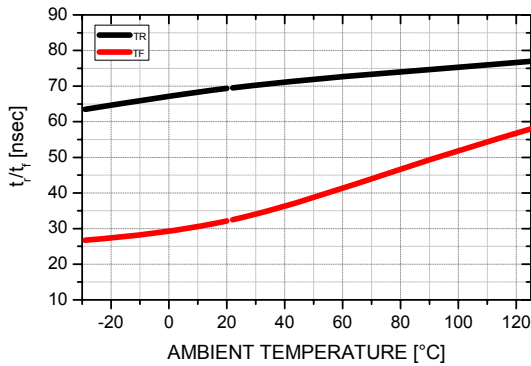


Figure 8. Rising/Falling Time vs. Temp.

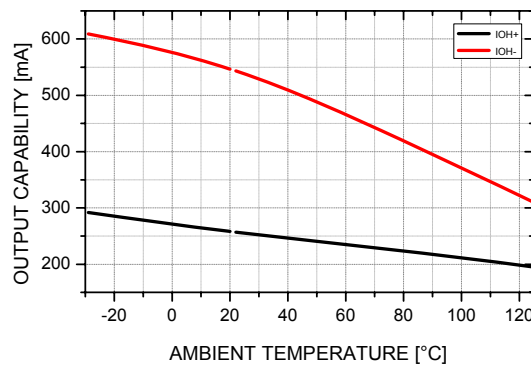


Figure 9. Output Sinking/Sourcing Current vs. Temp.

### Switching Time Definition

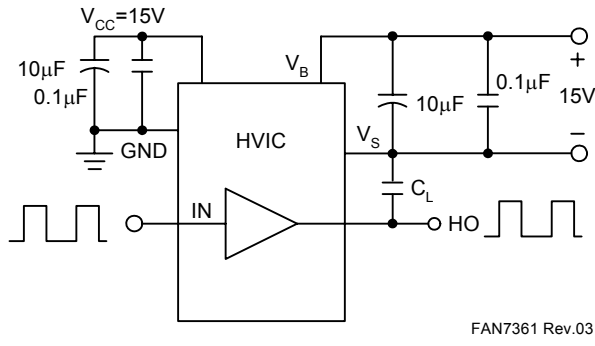


Figure 10. Switching Time Test Circuit

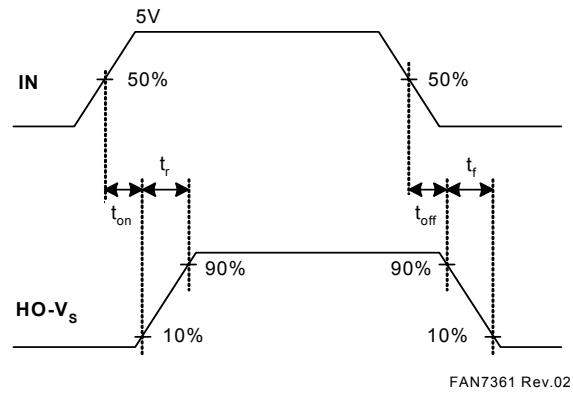


Figure 11. Input / Output Timing Diagram

Physical Dimensions

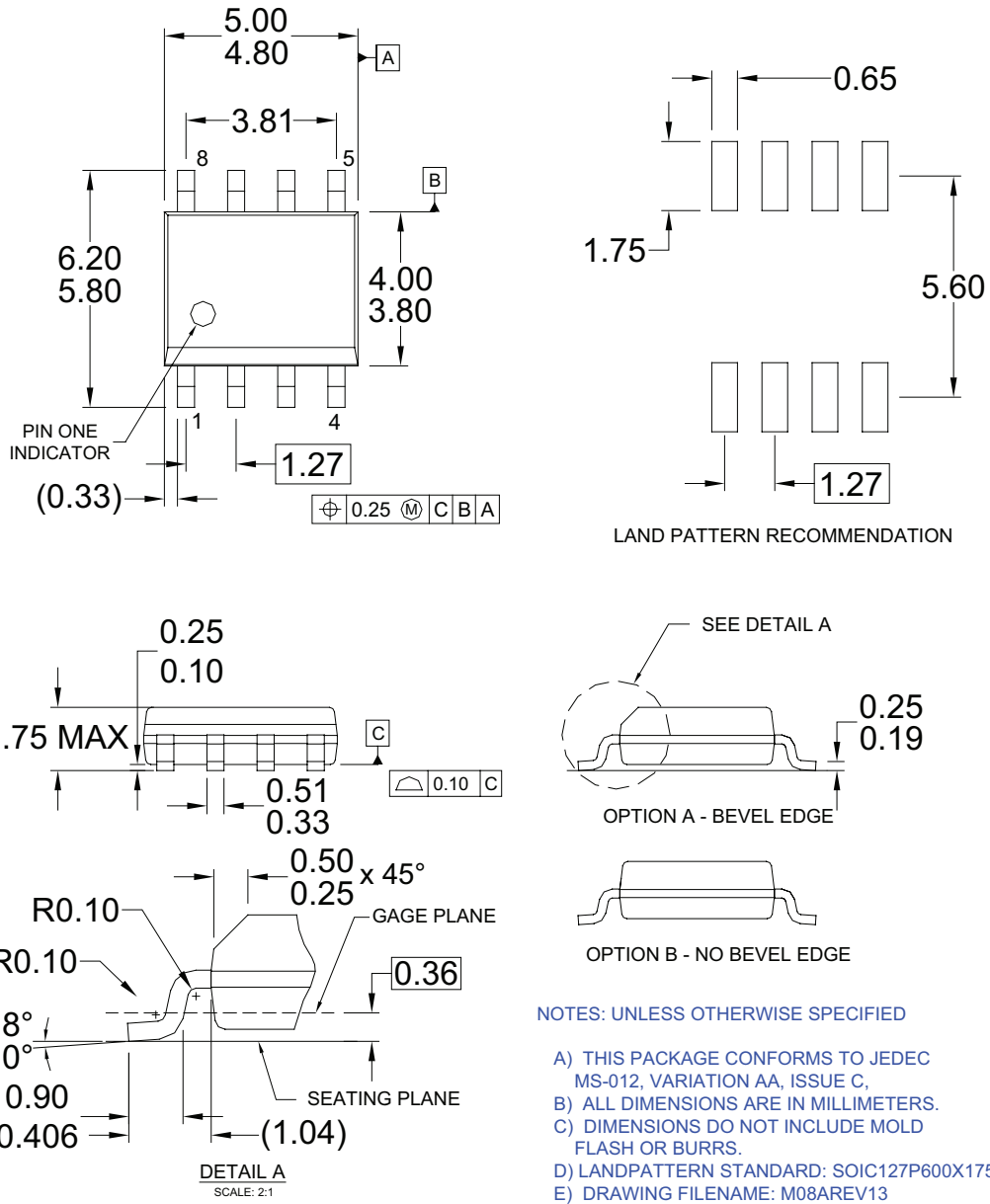


Figure 12. 8-Lead Small Outline Package (SOP)

Package drawings are provided as a service to customers considering Fairchild components. Drawings may change in any manner without notice. Please note the revision and/or date on the drawing and contact a Fairchild Semiconductor representative to verify or obtain the most recent revision. Package specifications do not expand the terms of Fairchild's worldwide terms and conditions, specifically the warranty therein, which covers Fairchild products.

Always visit Fairchild Semiconductor's online packaging area for the most recent package drawings:

<http://www.fairchildsemi.com/packaging/>





**TRADEMARKS**

The following includes registered and unregistered trademarks and service marks, owned by Fairchild Semiconductor and/or its global subsidiaries, and is not intended to be an exhaustive list of all such trademarks.

- |                          |                          |                                       |  |
|--------------------------|--------------------------|---------------------------------------|--|
| AccuPower™               | FlashWriter®*            | Power-SPM™                            | <p>SYSTEM GENERAL<br/>The Power Franchise®<br/>the power franchise<br/>TinyBoost™<br/>TinyBuck™<br/>TinyCalc™<br/>TinyLogic®<br/>TINYOPTO™<br/>TinyPower™<br/>TinyPVM™<br/>TinyWire™<br/>TriFault Detect™<br/>TRUECURRENT™*<br/>µSerDes™<br/> SerDes®<br/>UHC®<br/>Ultra FRFET™<br/>UniFET™<br/>VCX™<br/>VisualMax™<br/>XST™</p> |
| Auto-SPM™                | FPST™                    | PowerTrench®                          |  |
| Build it Now™            | F-PFST™                  | PowerXST™                             |  |
| CorePLUSTM               | FRFET®                   | Programmable Active Droop™            |  |
| CorePOWER™               | Global Power Resource SM | QFET®                                 |  |
| CROSSVOLT™               | Green FPST™              | QST™                                  |  |
| CTL™                     | Green FPST™ e-Series™    | Quiet Series™                         |  |
| Current Transfer Logic™  | Gmax™                    | RapidConfigure™                       |  |
| EcoSPARK®                | GTO™                     | ™                                     |  |
| EfficientMax™            | IntelliMAX™              | Saving our world, 1mW/W/kW at a time™ |  |
| EZSWITCH™*               | ISOPLANAR™               | SignalWise™                           |  |
| ™*                       | MegaBuck™                | SmartMax™                             |  |
| DEUXPEED™                | MICROCOUPLER™            | SMART START™                          |  |
| ™                        | MicroFET™                | SPM®                                  |  |
| Fairchild®               | MicroPak™                | STEALTH™                              |  |
| Fairchild Semiconductor® | MillerDrive™             | SuperFET™                             |  |
| FACT Quiet Series™       | MotionMax™               | SuperSOT™.3                           |  |
| FACT®                    | Motion-SPM™              | SuperSOT™.6                           |  |
| FAST®                    | OPTOLOGIC®               | SuperSOT™.8                           |  |
| FastvCore™               | OPTOPLANAR®              | SupreMOS™                             |  |
| FETBench™                | ™                        | SyncFET™                              |  |
|                          |                          | Sync-Lock™                            |  |

\* Trademarks of System General Corporation, used under license by Fairchild Semiconductor.

**DISCLAIMER**

FAIRCHILD SEMICONDUCTOR RESERVES THE RIGHT TO MAKE CHANGES WITHOUT FURTHER NOTICE TO ANY PRODUCTS HEREIN TO IMPROVE RELIABILITY, FUNCTION, OR DESIGN. FAIRCHILD DOES NOT ASSUME ANY LIABILITY ARISING OUT OF THE APPLICATION OR USE OF ANY PRODUCT OR CIRCUIT DESCRIBED HEREIN; NEITHER DOES IT CONVEY ANY LICENSE UNDER ITS PATENT RIGHTS, NOR THE RIGHTS OF OTHERS. THESE SPECIFICATIONS DO NOT EXPAND THE TERMS OF FAIRCHILD'S WORLDWIDE TERMS AND CONDITIONS, SPECIFICALLY THE WARRANTY THEREIN, WHICH COVERS THESE PRODUCTS.

**LIFE SUPPORT POLICY**

FAIRCHILD'S PRODUCTS ARE NOT AUTHORIZED FOR USE AS CRITICAL COMPONENTS IN LIFE SUPPORT DEVICES OR SYSTEMS WITHOUT THE EXPRESS WRITTEN APPROVAL OF FAIRCHILD SEMICONDUCTOR CORPORATION.

As used herein:

1. Life support devices or systems are devices or systems which, (a) are intended for surgical implant into the body or (b) support or sustain life, and (c) whose failure to perform when properly used in accordance with instructions for use provided in the labeling, can be reasonably expected to result in a significant injury of the user.
2. A critical component in any component of a life support, device, or system whose failure to perform can be reasonably expected to cause the failure of the life support device or system, or to affect its safety or effectiveness.

**ANTI-COUNTERFEITING POLICY**

Fairchild Semiconductor Corporation's Anti-Counterfeiting Policy. Fairchild's Anti-Counterfeiting Policy is also stated on our external website, [www.fairchildsemi.com](http://www.fairchildsemi.com), under Sales Support.

Counterfeiting of semiconductor parts is a growing problem in the industry. All manufacturers of semiconductor products are experiencing counterfeiting of their parts. Customers who inadvertently purchase counterfeit parts experience many problems such as loss of brand reputation, substandard performance, failed applications, and increased cost of production and manufacturing delays. Fairchild is taking strong measures to protect ourselves and our customers from the proliferation of counterfeit parts. Fairchild strongly encourages customers to purchase Fairchild parts either directly from Fairchild or from Authorized Fairchild Distributors who are listed by country on our web page cited above. Products customers buy either from Fairchild directly or from Authorized Fairchild Distributors are genuine parts, have full traceability, meet Fairchild's quality standards for handling and storage and provide access to Fairchild's full range of up-to-date technical and product information. Fairchild and our Authorized Distributors will stand behind all warranties and will appropriately address any warranty issues that may arise. Fairchild will not provide any warranty coverage or other assistance for parts bought from Unauthorized Sources. Fairchild is committed to combat this global problem and encourage our customers to do their part in stopping this practice by buying direct or from authorized distributors.

**PRODUCT STATUS DEFINITIONS**

**Definition of Terms**

Datasheet Identification	Product Status	Definition
Advance Information	Formative / In Design	Datasheet contains the design specifications for product development. Specifications may change in any manner without notice.
Preliminary	First Production	Datasheet contains preliminary data; supplementary data will be published at a later date. Fairchild Semiconductor reserves the right to make changes at any time without notice to improve design.
No Identification Needed	Full Production	Datasheet contains final specifications. Fairchild Semiconductor reserves the right to make changes at any time without notice to improve the design.
Obsolete	Not In Production	Datasheet contains specifications on a product that is discontinued by Fairchild Semiconductor. The datasheet is for reference information only.

Rev. 143