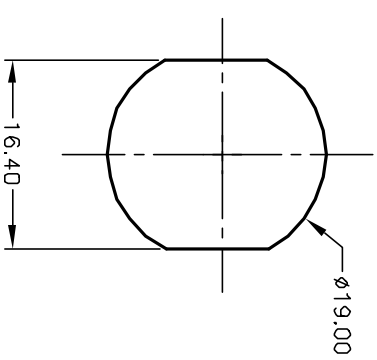


CIRCUIT: SPDT
CONTACT CONFIGURATION

SWITCH FUNCTION	
A	B
↑	→
DNF	DN

LEGEND
 O = OFF POSITION
 ■ = INDICATES KEY PULL
 X = INDICATES NO KEY PULL



RECOMMENDED PANEL CUTOUT

NOTES:

1. ALL DIMENSIONS IN MM
2. GENERAL TOLERANCE: X,X=±0.4
X,XX=±0.25
3. TERM. NOS. FOR REFERENCE ONLY.
4. RATING: 4A @125VAC, 2A @250VAC
5. CONTACT RESISTANCE: 10mILLI-OHMS
6. DIELECTRIC STRENGTH: 1500 VAC-1Minute
7. MATERIALS:

HOUSING: ZINC ALLOY DIE CAST
 CYLINDER: ZINC ALLOY W/CHROME PLATING
 TERMINAL AND CONTACTS: SILVER PLATED
 KEYS 125 (2): BRASS W/NICKEL PLATING
 DOUBLE CUT REVERSIBLE

REV.	ECN No.	DESCRIPTION	DATE	CHKD
A	11376	RELEASED FOR PRODUCTION	2/25/03	CJB
THE INFORMATION CONTAINED IN THIS DOCUMENT IS PROPRIETARY TO E-SWITCH AND IS NOT TO BE COPIED OR TRANSMITTED				

TITLE	SCALE	DATE	DR	DWG	REV
K0117A-125	1.5:1	--	--	K200116	A

