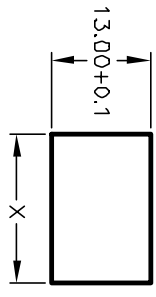
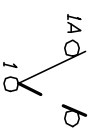


PANEL THICKNESS	X dimension
0.75-1.25 [.030-.049]	19.2-.01 [.756]
1.25-2.0 [.049-.079]	19.4-.01 [.764]
2.0-3.0 [.079-.118]	19.8-.01 [.780]



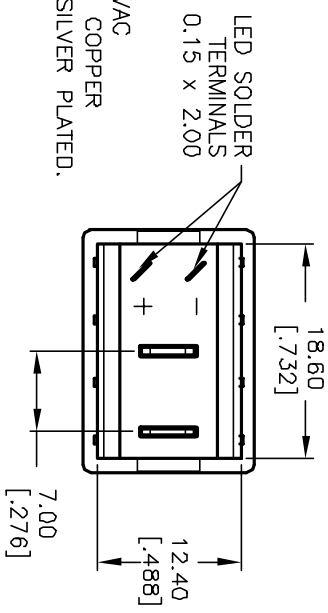
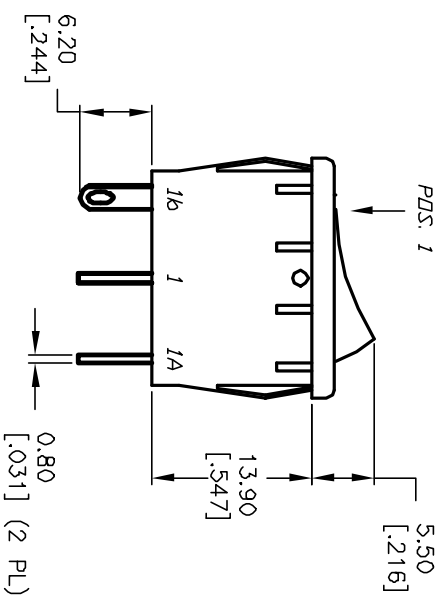
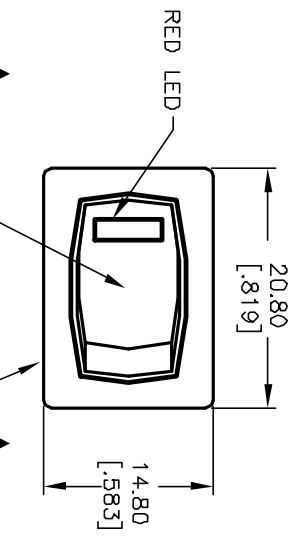
PANEL CUTOUT
NOT TO SCALE

SWITCH FUNCTION	
PDS: 1	PDS: 2
DN	OFF
1-1a	OPEN



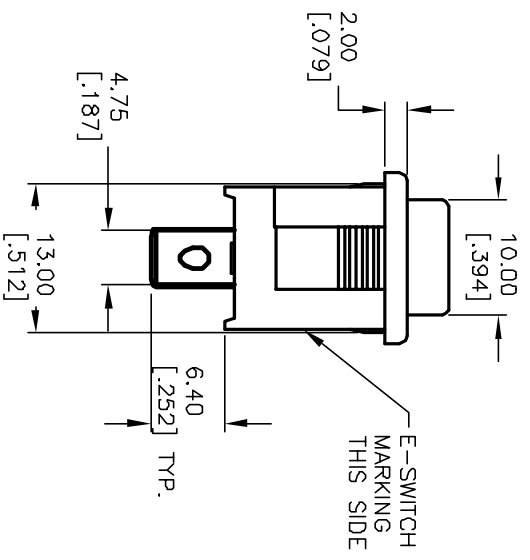
CIRCUIT: SPST

- NOTES:
1. ALL DIMENSIONS IN MM [INCH]
 2. GENERAL TOLERANCE: X,X=±0.4
X,XX=±0.25
 3. TERMINAL NUMBERS FOR REF ONLY
 4. RATING: 15A @ 125VAC OR 6A @ 250VAC
 5. MATERIALS: (TERMINALS) SILVER PLATED COPPER
(CONTACTS) COIN SILVER, SILVER PLATED.
 6. CONTACT RESISTANCE: <20 Mega
 7. ELECTRIC LIFE: 10,000 cycles
 8. INSULATION RESISTANCE: >1000 Mega
 9. DIELECTRIC STRENGTH: >1500V 1 minute
>3000V between Poles



RED L.E.D.

PARAMETERS	SYMBOL	MAX. TYP.	UNITS
POWER DISSIPATION	P_D	80	mW
Ave FORWARD CURRENT	I_{AF}	--	mA
PEAK FORWARD CURRENT	I_{PF}	100	mA
REVERSE VOLTAGE	V_R	5	V
FORWARD VOLTAGE	V_F	2.1	V
REVERSE CURRENT	I_R	100	μA
EMISSION WAVELENGTH	λ_p	660	nm
LUMINOUS INTENSITY	I_v	30	mcd



REV.	ECN No.	REVISION AND REDRAWN	DATE	CHKD	TITLE	SCALE	DATE	DR	DWG	REV
D	11666	REVISED AND REDRAWN	9/20/01	CJB	R19664 WHT WHT E F RED	1.5:1	10/31/96	MM	M301108	D
<p>THE INFORMATION CONTAINED IN THIS DOCUMENT IS PROPRIETARY TO E-SWITCH AND IS NOT TO BE COPIED OR TRANSFERRED</p>										

E-SWITCH®