

60mm sq.

San Ace 60WF

15mm thick, 20mm thick, 25mm thick



General Specifications

- Material: Frame: Plastics (Flammability: UL94V-0), Impeller: Plastics (Flammability: UL94V-0)
- Expected Life: Refer to specifications (L10:Survival rate: 90% at 60°C, rated voltage, and continuously run in a free air state)
- Lead Wire: ⊕red ⊖black (Sensor) yellow
- Storage Temperature: -30°C to +70°C (Non-condensing)

The product can be used in an oil mist environment*

*Environment where machining oil mist is scattered.
Usage of this product requires an evaluation with the oil that will be used.

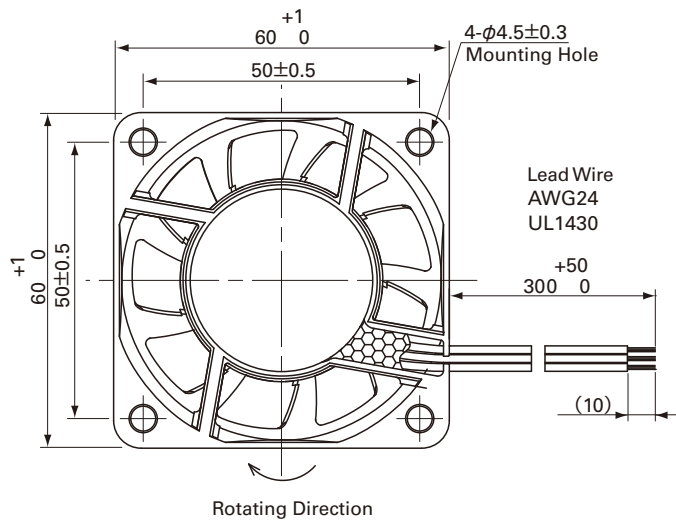
60×60×20mm (Mass : 80g) IP 55 Dust resistant device with protection against water jets

Specifications The following nos. have pulse sensors and ribs.

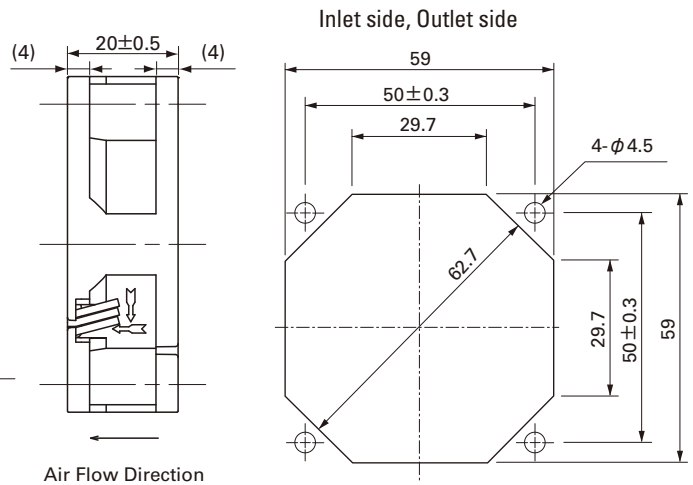
| Model No. | Rated Voltage [V] | Operating Voltage Range [V] | Rated Current [A] | Rated Input [W] | Rated Speed [min ⁻¹] | Max. Air Flow [m ³ /min] [CFM] | Max. Static Pressure [Pa] [inchH ₂ O] | SPL [dB(A)] | Operating Temperature [°C] | Expected Life [h] |
|-------------|-------------------|-----------------------------|-------------------|-----------------|----------------------------------|---|--|-------------|----------------------------|-------------------|
| 9WF0624H601 | 24 | 12 to 27.6 | 0.15 | 3.6 | 6,600 | 0.69 24.3 | 114 0.45 | 42 | -10 to +70 | 40,000 |

Available options: ⇒ Without Sensor

Dimensions (Unit : mm)



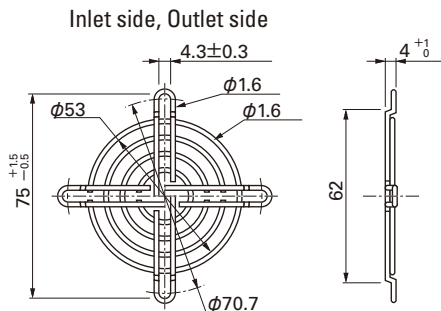
Reference dimension of mounting holes and vent opening (Unit : mm)



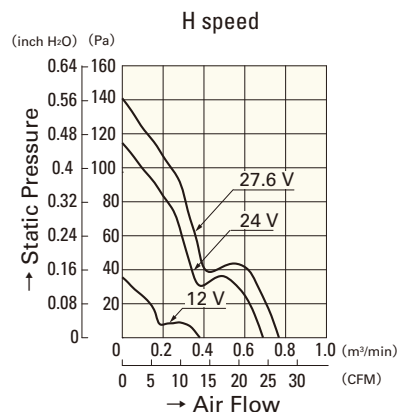
Options (Unit : mm)

Finger guards

Model : 109-139E Surface treatment : Nickel-chrome plating (silver) Color : 109-139H : Cation electropainting (black)



Air Flow - Static Pressure Characteristics



9WF0624H601