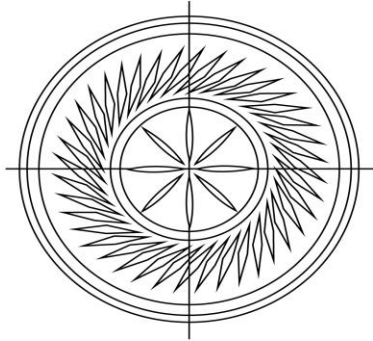
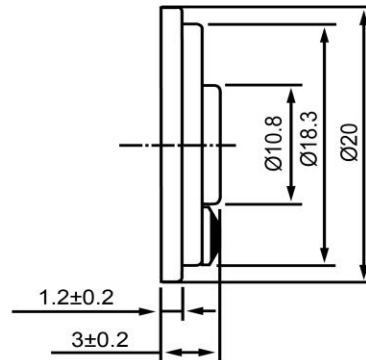


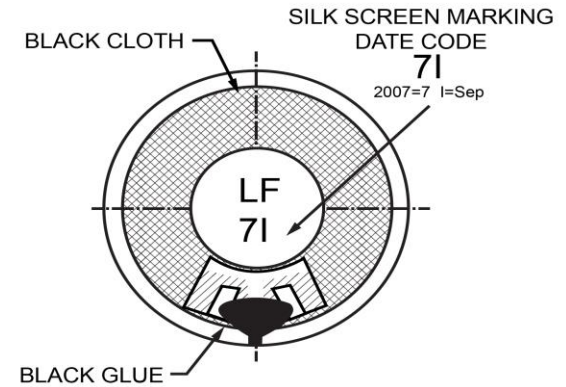
TOP VIEW



SIDE VIEW



BOTTOM VIEW



| Specifications | | |
|-----------------------|--------------|-------|
| Description | Value | Unit |
| Shape | Round | |
| Resonant Frequency | 600 | (Hz) |
| Frequency Range | 600 ~ 20,000 | (Hz) |
| SPL @ 10cm | 85 | (dBA) |
| Impedance | 8 | (Ohm) |
| Cone Material | Mylar | |
| Nominal Power | 0.4 | (W) |
| Max Power | 0.8 | (W) |
| Mount Type | Flush Mount | |
| Operating Temperature | -20 ~ +55 | °C |
| Storage Temperature | -20 ~ +55 | °C |
| Weight | 2.4 | (g) |

| Notes |
|--|
| 1) All dimensions are in mm unless otherwise noted |
| 2) All parts meet RoHS |



| Revision History | | | | | |
|------------------|---------------------------|------------|------------|-------------|----------|
| Version | Description | Date | Approved | | |
| 1 | Released from Engineering | 2/5/2014 | J.S | | |
| | | | | | |
| | | | | | |
| | | | | | |
| | | | | | |
| | | | | | |
| | | | | | |
| | | | | | |
| Drawn by | Date | Checked by | Date | Approved by | Date |
| G.W. | 10/31/2013 | C.E. | 10/21/2013 | J.S | 2/5/2014 |

Dynamic Speaker

SM200808-1