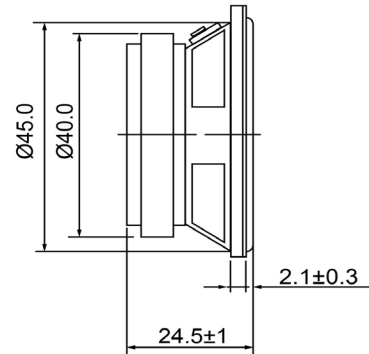
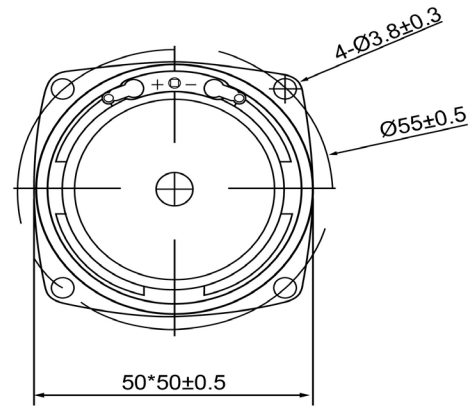



SIDE VIEW



BOTTOM VIEW



Specifications			Notes	Revision History					
Description	Value	Unit		Version	Description	Date	Approved		
Shape	Round		1) All dimensions are in mm unless otherwise noted 2) All parts meet RoHS  DB UNLIMITED	1	Released from Engineering	10/21/2013	J.S		
Resonant Frequency	200	(Hz)							
Frequency Range	200 ~ 18,000	(Hz)							
SPL @ 10cm	85	(dBA)							
Impedance	8	(Ohm)							
Cone Material	Paper								
Nominal Power	5	(W)							
Max Power	8	(W)							
Mount Type	Frame Mount								
Operating Temperature	-25 ~ +55	°C							
Storage Temperature	-25 ~ +55	°C							
Weight	50	(g)							
				Dynamic Speaker		SP500208-1			
				Drawn by	Date	Checked by	Date	Approved by	Date
				A.B.	10/21/2013	C.E.	10/21/2013	J.S	10/21/2013