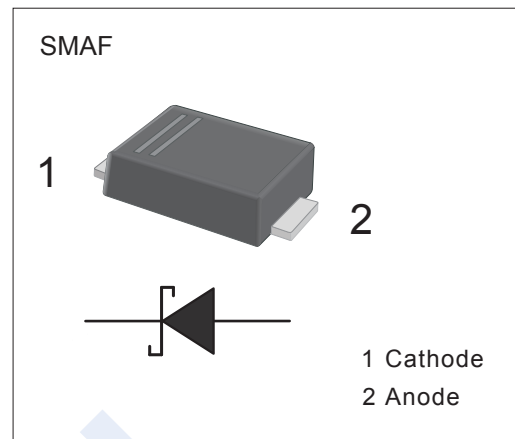


## Schottky Diodes

### SS320F ~ SS3200F

#### ■ Features

- Low power loss, high efficiency
- High forward surge current capability
- Reverse Voltage - 20 to 200 V
- Forward Current - 3A



#### ■ Absolute Maximum Ratings Ta = 25°C

Parameter	Symbol	SS 320F	SS 340F	SS 340AF	SS 360F	SS 380F	SS 3100F	SS 3120F	SS 3150F	SS 3200F	Unit	
Repetitive Peak Reverse Voltage	V <sub>RRM</sub>	20	40	45	60	80	100	120	150	200	V	
RMS voltage	V <sub>RMS</sub>	14	28	31.5	42	56	70	84	105	140		
Maximum DC Blocking Voltage	V <sub>DC</sub>	20	40	45	60	80	100	120	150	200		
Forward Voltage @ I <sub>F</sub> =3A	V <sub>F</sub>	0.55		0.7		0.85		0.95				
Averaged Forward Current	I <sub>FAV</sub>	3										A
Peak Forward Surge Current	I <sub>FSM</sub>	80					70					
		0.5					0.3					
Maximum DC Reverse Current Ta=100°C	I <sub>R</sub>	5					-					mA
Ta=125°C		-					5					
Junction Temperature	T <sub>j</sub>	125										°C
Storage Temperature	T <sub>stg</sub>	-55 to 150										

#### ■ Marking

NO.	SS320F	SS340F	SS340AF	SS360F	SS380F	SS3100F	SS3120F	SS3150F	SS3200F
Marking	SS32	SS34	SS34A	SS36	SS38	SS310	SS312	SS315	SS320

## Schottky Diodes SS320F ~ SS3200F

■ Typical Characteristics

Fig.1 Forward Current Derating Curve

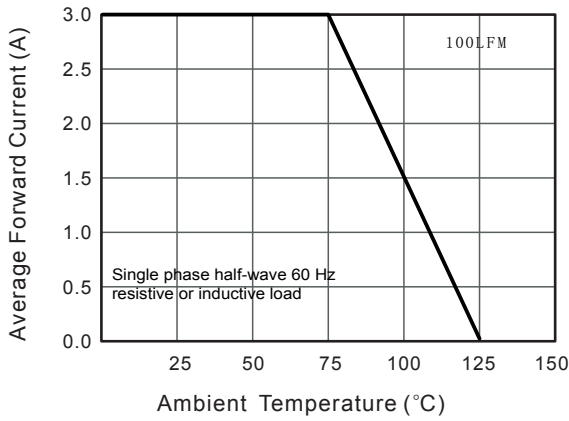


Fig.2 Typical Reverse Characteristics

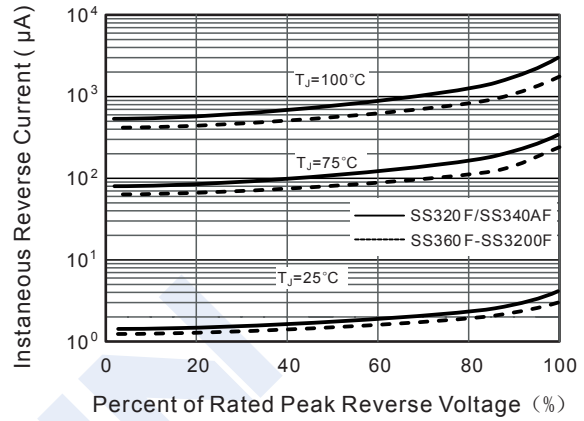


Fig.3 Typical Forward Characteristic

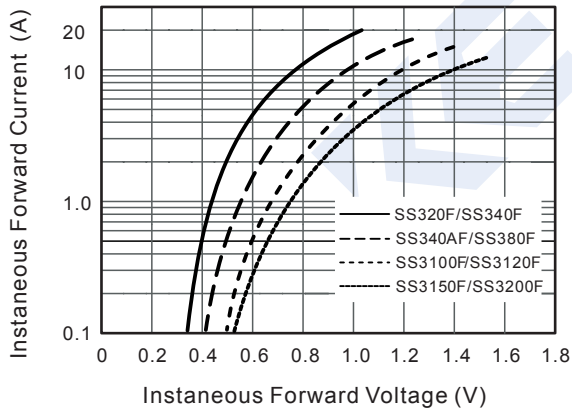
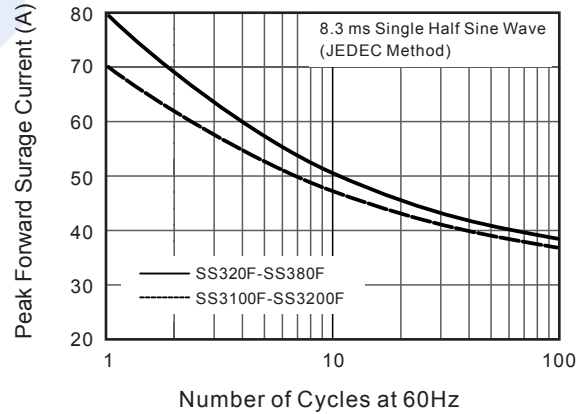
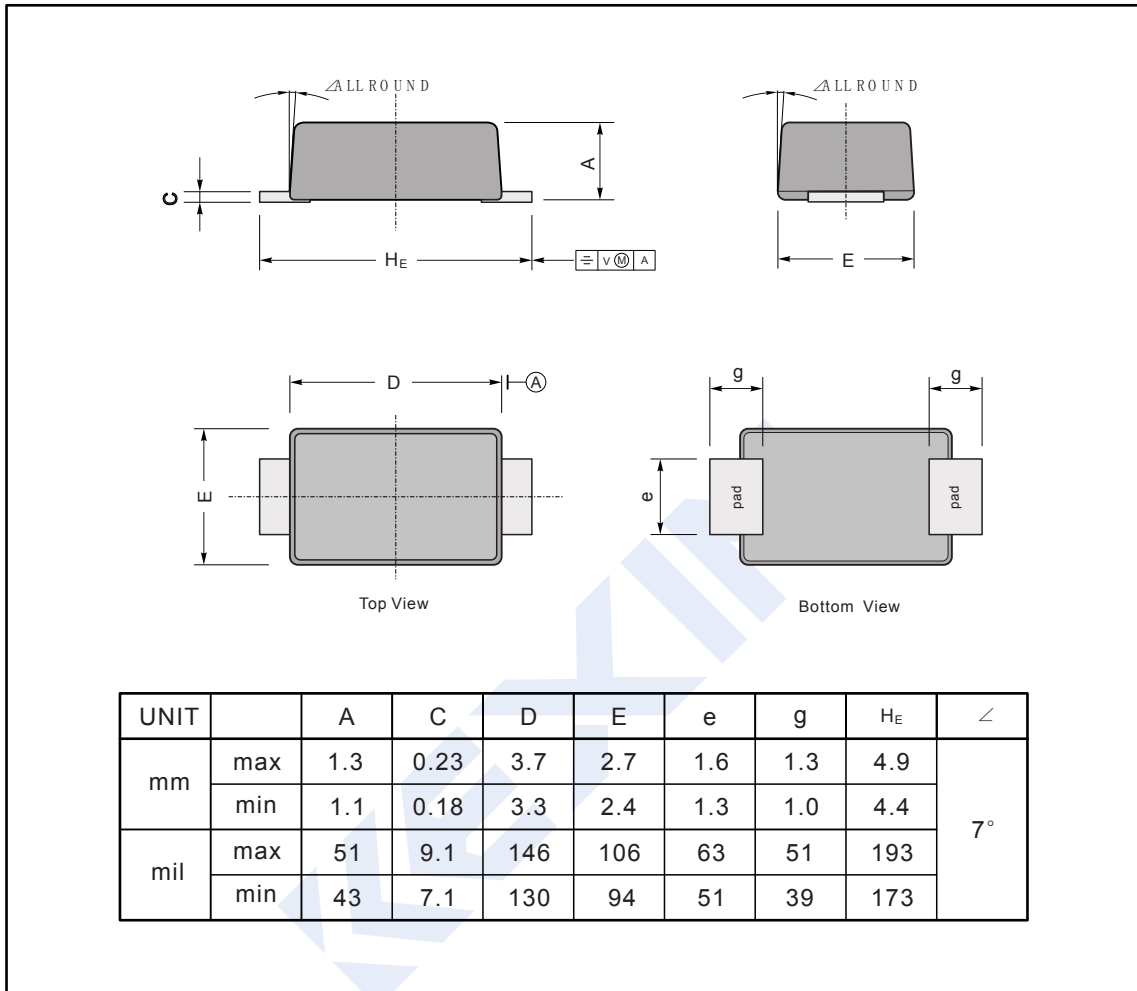


Fig.5 Maximum Non-Repetitive Peak Forward Surge Current



**PACKAGE OUTLINE**

Plastic surface mounted package; 2 leads



**The recommended mounting pad size**

