

TERMINATIONS

7/16 DIN, DC - 4.0 GHz, 150 Watts

SPECIFICATIONS:

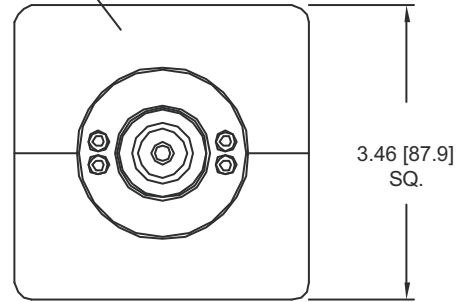
Models: TDXXXM - 150W & TDXXXF - 150W

RoHS
Compliant

Electrical:	
Frequency Range _____	DC - 4.0 GHz
Standard Freq. Values _____	2.5 & 4 GHz
VSWR	
DC - 1.5 GHz _____	1.15:1 Max.
1.5 - 2.5 GHz _____	1.30:1 Max.
2.5 - 4.0 GHz _____	1.40:1 Max.
Input Power _____	150 Watts Avg. @ +25°C
	Derated Linearly to 30 Watts @ +125°C
Peak Power _____	2 kW Max.
	(5uSec Pulse, .05% Duty Cycle)
Impedance _____	50 Ohms
Operating Temp Range _____	-55°C to +125°C
Mechanical:	
7/16 - DIN Connectors _____	Silver Plated Brass
	Mates with DIN 47 223
Conductors _____	Silver Plated Beryllium Copper
Housing _____	Anodized Aluminum



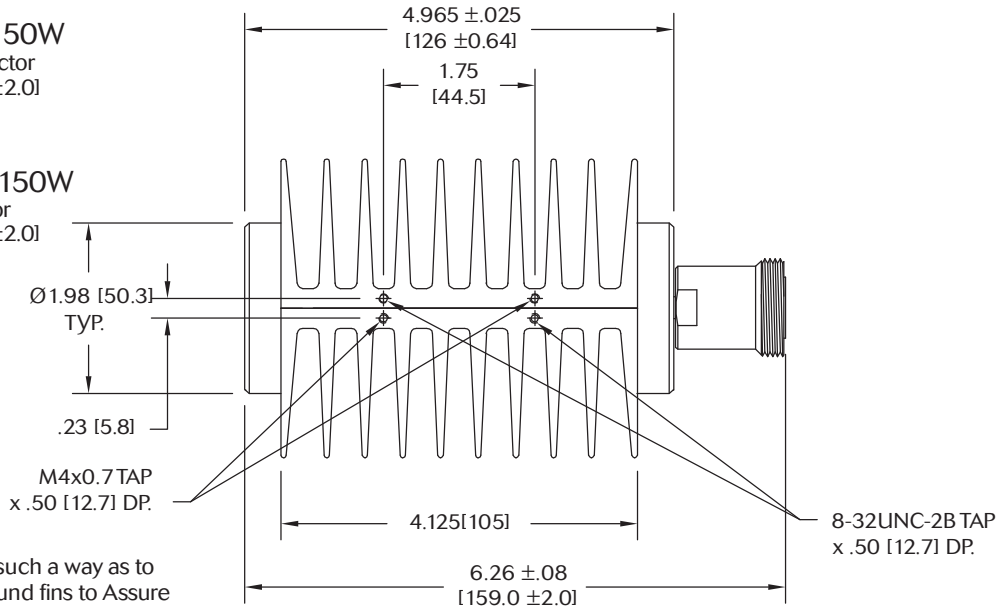
Custom Mtg. hole Config. may be Added to this Surface.



END VIEW
TYPICAL

Model Number: TDXXXF-150W
DIN - 7/16 Female Connector
Length: 6.26±.08 [159.0 ±2.0]
Pictured

Model Number: TDXXXM-150W
DIN - 7/16 Male Connector
Length: 6.12 ±.08 [155.4 ±2.0]



Units must be Mounted in such a way as to Allow for Free Air Flow Around fins to Assure Performance

HOW TO ORDER:

Model Number: **TDXXXV-150W**

Freq. Range	Connector Configuration
020 = DC - 2.5 GHz	F = Female
040 = DC - 4 GHz	M = Male

Ordering Examples:

Model Number: **TD040M-150W**
DC - 4 GHz, 7/16 - DIN Male CONN.

Model Number: **TD020F-150W**
DC - 2.5 GHz, 7/16 - DIN Female CONN.

Note: Dimensions in Brackets are Expressed in Millimeters and are for Reference Only. Design, specifications are subject to change without notice. Contact factory for technical specifications before purchasing and/or use.

TDXXX-150W: REV G



Aeroflex / Inmet, Inc. • 300 Dino Drive, Ann Arbor, MI 48103 • U.S.A.
888-244-6638 or 734-426-5553 • FAX: 734-426-5557
www.aeroflex.com/inmet • inmet@aeroflex.com