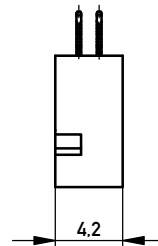
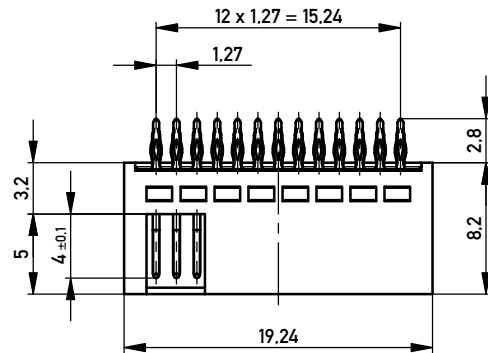
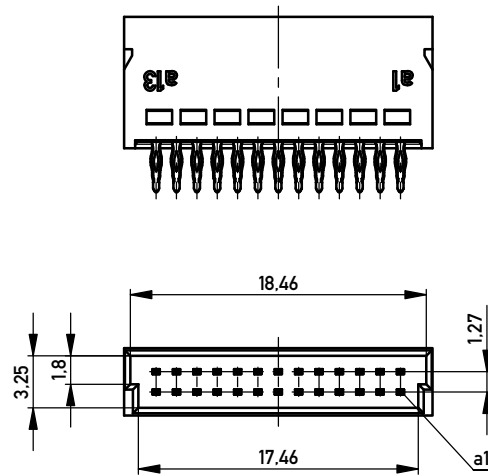
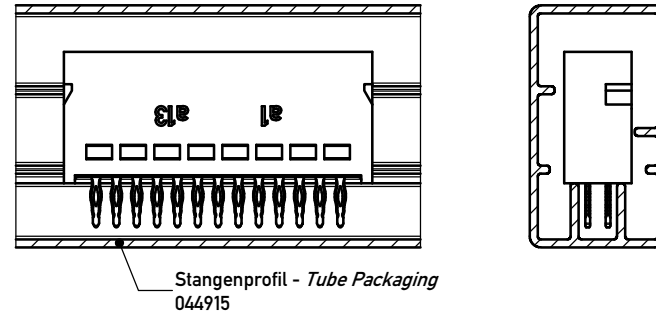
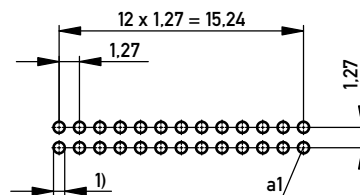


Verpackt in Stangenprofil - Tube Packaging

Verpackungseinheit: 35 Stück - Packaging unit: 35 pcs



Lochbild für Leiterplatte
Board hole pattern





Anforderungsstufe 1
Performance Level 1

Kontaktbereich vergoldet
Mating Area gold plating

Anschlussbereich verzinkt 1-2 µm
Terminal Area 1-2 µm tin plating

1) Lochaufbau siehe ERNI-Spezifikation 164062 Nr. 1
hole design according to ERNI-specification 164062 No. 1

Copyright by ERNI GmbH.
Proprietary notice pursuant to ISO 16016 to be observed.

Information:		Tolerances	 All Dimensions in mm	Scale	3:1
All rights reserved. Only for Information. To ensure that this is the latest version of this drawing, please contact one of the ERNI companies before using.		Subject to modification without prior notice. Drawing will not be updated.		Designation	
		 www.ERNI.com		Messerl. SMC-Q 26-EE-BA 3 Male SMC-Q 26-EE-type 3	
d	06.07.2011			064003	
Index	Date			1 A3	
				Class	SMCQ