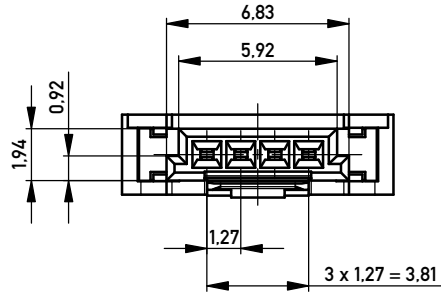
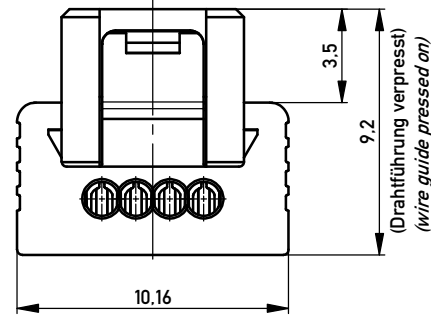
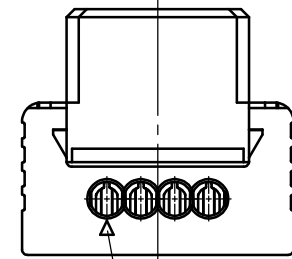
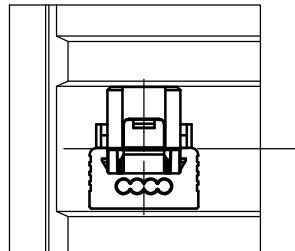


Flachbandkabelführung: rot
wire guide: red

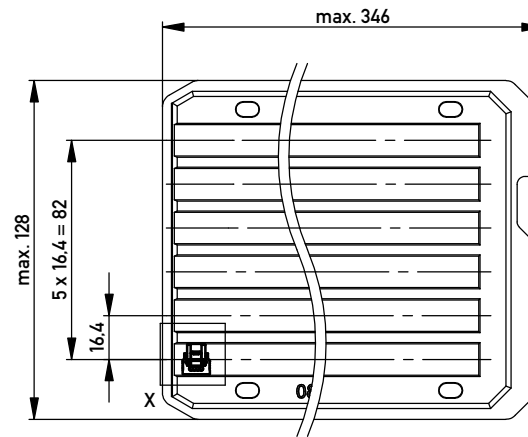


Einzelheit X - detail X
M 2:1



Kontaktbezeichnung
contact marking

Verpackt in Tray - tray packaging
Verpackungseinheit 180 Stück - packaging unit 180 pcs



für Einzeladern AWG 22, nur mit Hilfsmittel lösbar for single conductors AWG 22, only with tool unlockable	
Scale	5:1
Designation 1,27 SRC P SKV, 4-polig 1,27 SRC P IDC, 4-pin	
103900980009	
Class	SRCP

Information:	Tolerances	
All rights reserved. Only for Information. To ensure that this is the latest version of this drawing, please contact one of the ERNI companies before using.	Subject to modification without prior notice. Drawing will not be updated.	www.ERNI.com
Index	Date	

Copyright by ERNI GmbH
Proprietary notice pursuant to ISO 16016 to be observed.