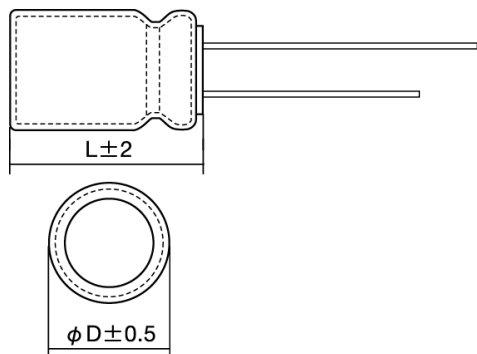


Cylinder Type Lithium Ion Capacitors

LIC2540R3R8207



■ Features

- Item Summary
3.8(3.5)V, 2.2V, 200F±20%, Less than 0.05Ω
- Lifecycle Stage
Mass Production

■ Products characteristics table

Temperature Range	-25 to +70(+85)℃
Maximum Usable Voltage	3.8(3.5)V
Min. Voltage	2.2V
Nominal Capacity	200F
Internal Resistance	0.05Ω
Initial Capacitance	200F±20%
Initial Internal Resistance	Less than 0.05Ω
RoHS Compliance	Yes
Soldering Method	Manual

2015.06.01

The data is reference only. Electrical characteristics vary depending on environment or measurement condition.
 TAIYO YUDEN reserves the right to make change to the Date at any time without notice.
 Before making final selection, please check product specification.