

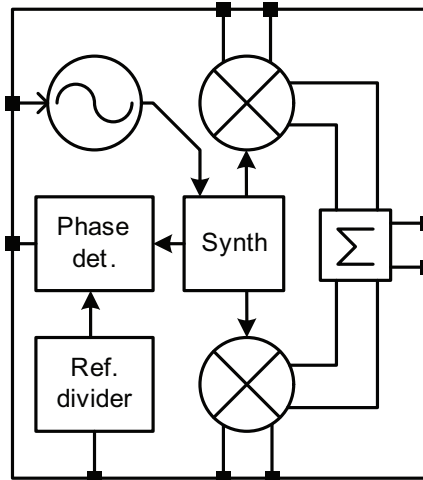


### Features

- RF Output Frequency Range  
45MHz to 2700MHz
- Fractional-N Synthesizer with  
Very Low Spurious Levels
- Typical Step Size 1.5Hz
- Fully Integrated Wideband VCOs  
and LO Buffers
- Integrated Phase Noise  
<0.2° rms at 1GHz
- Integrated Baseband  
Amplification Stage with Variable  
Gain and Filtering
- Tunable Baseband Filters Input  
3dB Bandwidth from 1.5MHz to  
10MHz
- -45dBc Unadjusted Carrier  
Suppression
- -40dBc Unadjusted Sideband  
Suppression
- Very Low Noise Floor  
-150dBm/Hz Typical
- Output P1dB +4dBm
- Output IP3 +18dBm
- 3.0V to 3.3V Power Supply
- 155mA Typical Current  
Consumption
- Serial Programming Interface

### Applications

- Satellite Communications
- QPSK/QAM Modulators
- SSB Modulators
- Software Defined Radios



Functional Block Diagram

### Product Description

The RFMD2080 is a low power, highly integrated, IQ modulator with integrated fractional-N synthesizer and voltage controlled oscillator (VCO). The RFMD2080 can generate output frequencies of between 45MHz and 2700MHz, making it suitable for a wide range of applications.

The fractional-N synthesizer takes advantage of an advanced sigma-delta architecture that delivers ultra-fine step sizes and low spurious products. The synthesizer/VCO combined with an external loop filter allows the user to generate an oscillator signal covering 90MHz to 5400MHz. The signal is buffered and routed to a high accuracy quadrature divider ( $/2$ ) that drives the balanced I and Q mixers. The output of the mixers are summed and applied to a differential RF output stage. The device also features a differential input for an external VCO or LO source.

The baseband I and Q stages are highly integrated; featuring variable gain and filtering as well as generation of DC offset voltages. The programmable DC offsets enable improved carrier suppression. The baseband input 3dB bandwidth can be tuned from 1.5MHz to 10MHz, and the total gain control range is 38dB with 2dB resolution.

Device programming is achieved via a simple 3-wire serial interface. In addition, a unique programming mode allows up to four devices to be controlled from a common serial bus. This eliminates the need for separate chip-select control lines between each device and the host controller. Up to six general purpose outputs are provided, which can be used to access internal signals (the LOCK signal, for example) or to control front end components. The device is optimized for low power operation, consuming typically only 155mA from a 3V supply.

### Optimum Technology Matching® Applied

- |                                      |                                      |   |                                   |
|--------------------------------------|--------------------------------------|---|-----------------------------------|
| <input type="checkbox"/> GaAs HBT    | <input type="checkbox"/> SiGe BiCMOS | <input type="checkbox"/> GaAs pHEMT         | <input type="checkbox"/> GaN HEMT |
| <input type="checkbox"/> GaAs MESFET | <input type="checkbox"/> Si BiCMOS   | <input checked="" type="checkbox"/> Si CMOS | <input type="checkbox"/> RF MEMS  |
| <input type="checkbox"/> InGaP HBT   | <input type="checkbox"/> SiGe HBT    | <input type="checkbox"/> Si BJT             | <input type="checkbox"/> LDMOS    |

## Absolute Maximum Ratings

Parameter	Rating	Unit
Supply Voltage ( $V_{DD}$ )	-0.5 to +3.6	V
Input Voltage ( $V_{IN}$ ), any pin	-0.3 to $V_{DD}+0.3$	V
LO Input Power	+15	dBm
Operating Temperature Range	-40 to +85	°C
Storage Temperature Range	-65 to +150	°C



**Caution!** ESD sensitive device.

Exceeding any one or a combination of the Absolute Maximum Rating conditions may cause permanent damage to the device. Extended application of Absolute Maximum Rating conditions to the device may reduce device reliability. Specified typical performance or functional operation of the device under Absolute Maximum Rating conditions is not implied. The information in this publication is believed to be accurate and reliable. However, no responsibility is assumed by RF Micro Devices, Inc. ("RFMD") for its use, nor for any infringement of patents, or other rights of third parties, resulting from its use. No license is granted by implication or otherwise under any patent or patent rights of RFMD. RFMD reserves the right to change component circuitry, recommended application circuitry and specifications at any time without prior notice.



RFMD Green: RoHS compliant per EU Directive 2002/95/EC, halogen free per IEC 61249-2-21, < 1000ppm each of antimony trioxide in polymeric materials and red phosphorus as a flame retardant, and <2% antimony in solder.

Parameter	Specification			Unit	Condition
	Min.	Typ.	Max.		
<b>ESD Requirements</b>					
Human Body Model	2000			V	DC Pins
	1500			V	All Pins
Charge Device Model	1000			V	All Pins
<b>Operating Conditions</b>					
Supply Voltage ( $V_{DD}$ )	3.0		3.3	V	
Temperature	-40		+85	°C	
<b>Logic Inputs/Outputs</b> ( $V_{DD}$ = Supply to DIG_VDD pin)					
Input Low voltage	-0.3		+0.5	V	
Input High voltage	$V_{DD}/1.5$		$V_{DD}$	V	
Input Low current	-10		+10	μA	Input = 0V
Input High current	-10		+10	μA	Input = $V_{DD}$
Output Low voltage	0		$0.2 \cdot V_{DD}$	V	
Output High voltage	$0.8 \cdot V_{DD}$		$V_{DD}$	V	
Load Resistance	10			KΩ	
Load Capacitance			20	pF	
<b>GPO Drive Capability</b>					
Sink Current		20		mA	At $V_{OL} = +0.6V$
Source Current		20		mA	At $V_{OH} = +2.4V$
Output Impedance		25		Ω	
<b>Static</b>					
Supply Current ( $I_{DD}$ )		155		mA	
Standby			2	mA	Reference Oscillator and Bandgap Only
Power Down Current			300	μA	ENBL = 0 and REF_STBY = 0

Parameter	Specification			Unit	Condition
	Min.	Typ.	Max.		
<b>Modulator (Output driving 4:1 balun)</b>					
I and Q Input Max 3dB Bandwidth		10		MHz	Filter Setting rctune = 0
I and Q Input Min 3dB Bandwidth		1.5		MHz	Filter Setting rctune = 63
I and Q Input Voltage		1		V <sub>p,p</sub>	Differential with 0.5V to 1.5V Input DC Bias
Output Power		-3		dBm	
Output Noise Floor		-150		dBm/Hz	At 10MHz Offset
Output IP3		+18		dBm	
Output P1dB		+4		dBm	
Carrier Suppression		-45		dBc	Unadjusted
Carrier Suppression		-55		dBc	DC Bias Offset DACs Adjusted
Sideband Suppression		-40		dBc	Unadjusted
Output Port Center Frequency Range	45		2700	MHz	
<b>Reference Oscillator</b>					
External Reference Frequency	10		104	MHz	
Reference Divider Ratio	1		7		
External Reference Input Level	500	800	1500	mV <sub>p,p</sub>	AC-coupled
<b>Synthesizer (PLL closed loop, 52MHz reference)</b>					
Synthesizer Output frequency	90		5400	MHz	
Phase Detector Frequency			52	MHz	
Phase Noise, LO=1GHz		-108		dBc/Hz	10kHz Offset
		-108		dBc/Hz	100kHz Offset
		-135		dBc/Hz	1MHz Offset
		0.19		Deg	RMS Integrated from 1KHz to 40MHz
Phase Noise, LO=2GHz		-102		dBc/Hz	10kHz Offset
		-102		dBc/Hz	100kHz Offset
		-130		dBc/Hz	1MHz Offset
		0.32		Deg	RMS Integrated from 1KHz to 40MHz
Normalized phase noise floor		-214		dBc/Hz	Measured at 20kHz to 30kHz Offset
<b>Voltage Controlled Oscillator</b>					
Open Loop Phase Noise at 1MHz Offset					
2.5GHz LO Frequency		-134		dBc/Hz	VCO3, LO Divide by 2
2.0GHz LO Frequency		-135		dBc/Hz	VCO2, LO Divide by 2
1.5GHz LO Frequency		-136		dBc/Hz	VCO1, LO Divide by 2
Open loop phase noise at 10MHz offset					
2.5GHz LO Frequency		-149		dBc/Hz	VCO3, LO Divide by 2
2.0GHz LO Frequency		-150		dBc/Hz	VCO2, LO Divide by 2
1.5GHz LO Frequency		-151		dBc/Hz	VCO1, LO Divide by 2
<b>External LO Input</b>					
LO Input Frequency Range	90		5400	MHz	
External LO Input Level		0		dBm	Driven from 50Ω source via a 1:1 balun

## Pin Names and Descriptions

Pin	Name	Description
1	ENBL/GPO5	Device Enable pin (see note 1 and 2).
2	EXT_LO	External local oscillator input. Use AC coupling capacitor.
3	EXT_LO_DEC	Decoupling pin for external local oscillator. Use AC coupling capacitor.
4	REXT	External bandgap bias resistor (see note 3).
5	ANA_VDD1	Analog supply. Use good RF decoupling.
6	LFILT1	Phase detector output. Low-frequency noise-sensitive node.
7	LFILT2	Loop filter op-amp output. Low-frequency noise-sensitive node.
8	LFILT3	VCO control input. Low-frequency noise-sensitive node.
9	MODE/GPO6	Mode select pin (see notes 1 and 2).
10	REF_IN	Reference input. Use AC coupling capacitor.
11	NC	
12	TM	Connect to ground.
13	RF_OUT_N	Differential output (see note 5).
14	RF_OUT_P	Differential output (see note 5).
15	GPO1/ADD1	General purpose output / MultiSlice address bit.
16	GPO2/ADD2	General purpose output / MultiSlice address bit.
17	DIG_VDD	Digital supply. Should be decoupled as close to the pin as possible.
18	MOD_Q_N	Modulator Q differential input (see note 4).
19	MOD_Q_P	Modulator Q differential input (see note 4).
20	NC	
21	NC	
22	MOD_I_N	Modulator I differential input (see note 4).
23	MOD_I_P	Modulator I differential input (see note 4).
24	ANA_VDD2	Analog supply. Use good RF decoupling.
25	GPO3	General purpose output
26	GPO4/LD/DO	General purpose output / Lock detect output / serial data out.
27	NC	
28	NC	
29	RESETX	Chip reset (active low). Connect to DIG_VDD if asynchronous reset is not required.
30	ENX	Serial interface select (active low) (See note 1).
31	SCLK	Serial interface clock (See note 1).
32	SDATA	Serial interface data (See note 1).
Exposed Paddles		Ground reference, should be connected to PCB ground through a low impedance path.

## Notes:

1. An RC low pass filter may be used on this line to reduce digital noise.
2. If the device is under software control this input can be configured as a general purpose output (GPO).
3. Connect a 51K $\Omega$  resistor from this pin to ground. This pin is sensitive to low frequency noise injection.
4. DC bias voltage and modulation should be applied to this pin.
5. This pin must be connected to ANA\_VDD2 using an RF choke or center tapped transformer (see application schematic).

## Theory of Operation

The RFMD2080 is a wideband IQ modulator with integrated fractional-N synthesizer and a low noise VCO core. It features a high accuracy LO quadrature divider followed by buffer circuits which drive the I and Q mixers of the modulator with the quadrature LO signals. The RFMD2080 has an integrated voltage reference and low drop out regulators supplying critical circuit blocks such as the VCOs and synthesizer. Synthesizer programming, device configuration and control are achieved through a mixture of hardware and software controls. All on-chip registers are programmed through a simple three-wire serial interface.

### VCO

The VCO core in the RFMD2080 consists of three VCOs which, in conjunction with the integrated LO dividers of /1 to /32, cover the frequency range of 90MHz to 5400MHz. The modulator quadrature divider provides a further fixed divide by two to give the center frequency range at the modulator output of 45MHz to 2700MHz.

Each VCO has 128 overlapping bands which are used to achieve low VCO gain and optimal phase noise performance across the whole tuning range. The chip automatically selects the correct VCO (VCO auto-select) and the correct VCO band (VCO coarse tuning) to generate the desired LO frequency based on the values programmed into the PLL1 and PLL2 registers banks.

The VCO auto-select and VCO coarse tuning are triggered every time ENBL is taken high, or if the PLL re-lock self clearing bit is programmed high. Once the correct VCO and band have been selected the PLL will lock onto the correct frequency. During the band selection process fixed capacitance elements are progressively connected to the VCO resonant circuit until the VCO is oscillating at approximately the correct frequency. The output of this band selection, CT\_CAL, is made available in the read-back register. If this was unsuccessful it will be indicated by the CT\_FAILED flag also available in the read-back register. A value between 1 and 126 indicates a successful calibration, the actual value being dependent on the desired frequency as well as process variation for a particular device.

The band select process will center the VCO tuning voltage at about 0.8V, compensating for manufacturing tolerances and process variation as well as environmental factors including temperature. In applications where the device is left enabled at the same LO frequency for some time it is recommended that automatic band selection be performed for every 30 °C change in temperature. This assumes an active loop filter.

The RFMD2080 features a differential LO input to allow the mixer to be driven from an external LO source. The fractional-N PLL can be used with an external VCO driven into this LO input, which may be useful to reduce phase noise in some applications. This may also require an external op-amp, dependant on the tuning voltage required by the external VCO.

### Fractional-N PLL

The RFMD2080 contains a charge-pump based fractional-N phase locked loop (PLL) for controlling the three VCOs. The PLL includes automatic calibration systems to counteract the effects of process and environmental variations, ensuring repeatable loop response and phase noise performance. As well as the VCO auto-select and coarse tuning, there is a loop filter calibration mechanism which can be enabled if required. This operates by adjusting the charge pump current to maintain loop bandwidth. This can be useful for applications where the LO is tuned over a wide frequency range.

The PLL has been designed to use a reference frequency of between 10MHz and 104MHz from an external source, which is typically a temperature controlled crystal oscillator (TCXO). A reference divider (divide by 1 to divide by 7) is supplied and should be programmed to limit the frequency at the phase detector to a maximum of 52MHz.

Two PLL programming banks are provided, the first bank is preceded by the label PLL1 and the second bank is preceded by the label PLL2. The active register bank is selected by the state of the MODE pin, low for PLL1 and high for PLL2.

The VCO outputs are first divided down in a high frequency prescaler. The output of this high frequency prescaler then enters the N divider, which is a fractional divider containing a dual-modulus prescaler and a digitally spur-compensated fractional sequence generator. This allows very fine frequency steps and minimizes fractional spurs. The fractional energy is shaped and appears as fractional noise at frequency offsets above 100KHz which will be attenuated by the loop filter. An external loop filter is used, giving flexibility in setting loop bandwidth for optimizing phase noise and lock time, for example.

The synthesizer step size is typically 1.5Hz when using a 26MHz reference frequency. The exact step size for any reference and LO frequency can be calculated using the following formula:

$$(F_{REF} * P) / (R * 2^{24} * LO\_DIV * 2)$$

Where  $F_{REF}$  is the reference frequency, R is the reference division ratio, P is the prescaler division ratio, and LO\_DIV is the LO divider value.

Pin 26 (GPO4) can be configured as a lock detect pin. The lock status is also available in the read-back register. The lock detect function is a window detector on the VCO tuning voltage. The lock flag will be high to show PLL lock which corresponds to the VCO tuning voltage being within the specified range, typically 0.30V to 1.25V.

The lock time of the PLL will depend on a number of factors; including the loop bandwidth and the reference frequency at the phase detector. This clock frequency determines the speed at which the state machine and internal calibrations run. A 52MHz phase detector frequency will give fastest lock times, of typically <50µsecs when using the PLL re-lock bit.

## Phase Detector and Charge Pump

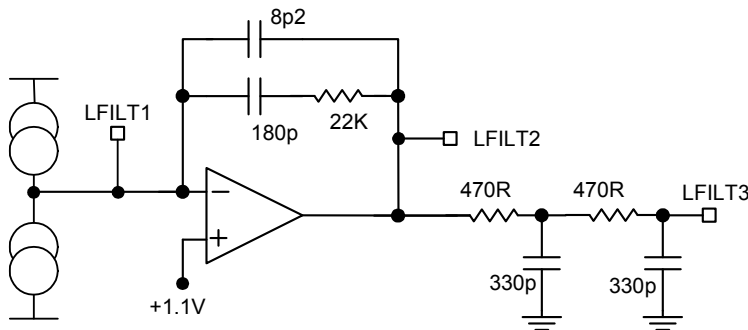
The phase detector provides a current output to drive an active loop filter. The charge pump output current is set by the value contained in the P1\_CP\_DEF and P2\_CP\_DEF fields in the loop filter configuration register. The charge pump current is given by approximately 3µA/bit, and the fields are 6 bits long. This gives default value (31) of 93µA and maximum value (63) of 189µA.

If the automatic loop bandwidth calibration is enabled the charge pump current is set by the calibration algorithm based upon the VCO gain.

The phase detector will operate with a maximum input frequency of 52MHz.

## Loop Filter

The active loop filter is implemented using the on-chip low noise op-amp, with external resistors and capacitors. The op-amp gives a tuning voltage range of typically +0.1V to +2.4V. The internal configuration of the chip is shown below with the recommended active loop filter. The loop filter shown is designed to give lowest integrated phase noise, for reference frequencies of between 26MHz and 52MHz. The external loop filter components give the flexibility to optimize the loop response for any particular application and combination of reference and VCO frequencies.



## External Reference

The RFMD2080 has been designed to use an external reference such as a TCXO. The typical input will be a 0.8Vp-p clipped sine wave, which should be AC-coupled into the reference input. When the PLL is not in use, it may be desirable to turn off the internal reference circuits, by setting the REFSTBY bit low, to minimize current draw while in standby mode.

On cold start, or if REFSTBY is programmed low, the TCXO will need a warm-up period. This is set by the SU\_WAIT bits. This will allow the clock to be stable and immediately available when the ENBL bit is asserted high, allowing the PLL to assume normal operation.

If the current consumption of the reference circuits in standby mode, typically 2mA, is not critical, then the REFSTBY bit can be set high. This allows the fastest startup and lock time after ENBL is taken high.

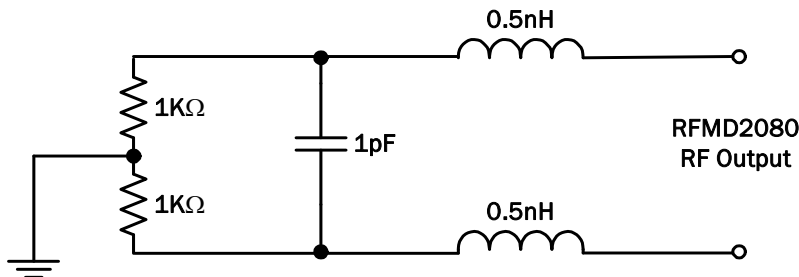
## IQ Modulator

The IQ modulator core of the RFMD2080 is wideband covering from 45MHz to 2700MHz. It has been designed to achieve exceptional linearity for the amount of DC power consumed.

The modulator mixer cores have four coarse gain/current settings. Each setting steps the gain and linearity by 6dB and can be used to optimize performance or reduce power consumption. The best linearity is achieved using the modulator bias setting MODDC=4. This setting adjusts bias mixer current and can be used to trade off linearity and current consumption.

The modulator output is differential and requires a balun and simple matching circuit optimized to the specific application frequencies. The modulator output pins are also used to source current for the modulator mixer circuits, about 10mA on each pin. This is usually via a center-tapped balun or by RF chokes in the external matching circuitry to the supply. The modulator output is high impedance, consisting of approximately 2K $\Omega$  resistance in parallel with some capacitance, approximately 1pF. The modulator output does not require a conjugate matching network. It is a constant current output which will drive a real differential load of typically 200 $\Omega$ . Since the mixer output is a constant current source, a higher resistance load will give higher output power and gain. A shunt inductor can be used to resonate with the mixer output capacitance at the frequency of interest. This inductor may not be required at lower frequencies where the impedance of the output capacitance is less significant. At higher output frequencies the inductance of the bond wires (about 0.5nH on each pin) becomes more significant.

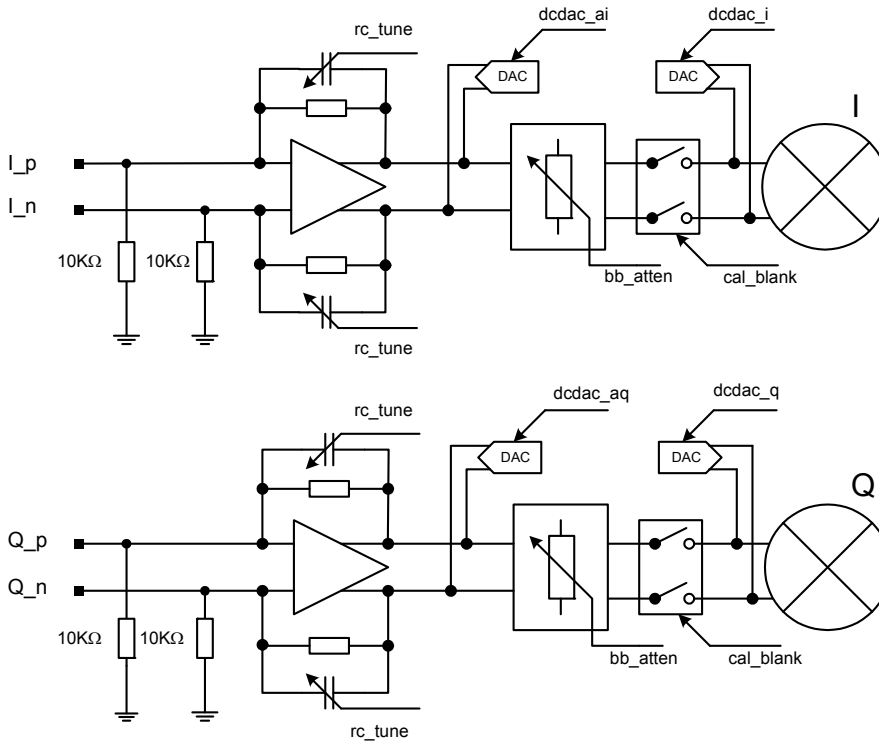
The following diagram is a simple model of the modulator output:



It is recommended to use a 4:1 balun on the modulator output, presenting 200 $\Omega$  to the output in a single ended 50 $\Omega$  system. The RFMD2080 evaluation board has an RFXF8553 wideband transmission line transformer.

## Baseband Section

The RFMD2080 features a baseband section that consists of an active low pass filter, variable attenuator and DC offset control circuitry. DC offset calibration is performed using digital-to-analog converters (DACs) that apply an offset voltage to various parts of the circuit to compensate for DC offsets introduced by the internal buffers and the mixer core. This can be done to optimize LO suppression by setting registers to program the DAC offset voltages.



The differential I and Q input impedance is set by 10KΩ pull down resistors on each pin, so presenting 20KΩ differential impedance. The baseband input signals will be typically 1Vp-p differential. A common mode DC voltage between 0.5V and 1.5V is required for optimal performance. If required the phase and amplitude of either of the I or Q signal can be adjusted to reduce the level of the unwanted sideband signal at the modulator output.

The baseband path consists of an active low pass filter with variable capacitors. The variable capacitors provide 64 "rctune" settings that allow the input 3dB bandwidth to be tuned from 1.5MHz to 10MHz. This is followed by a variable gain attenuator that delivers 0dB to -20dB gain in 2dB steps. Additionally, the mixers have gain control, ranging from 0dB to -18dB in 6dB steps giving a maximum range of 38dB. The variable gain attenuator and mixer input have DACs attached to allow DC offsets within the baseband path to be corrected, thus reducing LO breakthrough. An isolation switch sits between the variable gain attenuator and the mixer input to allow their offsets to be compensated separately. This may be required since the offset within the variable gain attenuator will vary with gain and thus its DC compensation may also have to vary for optimum LO cancellation.

## Serial Interface

All on-chip registers in the RFMD2080 are programmed using a proprietary 3-wire serial bus which supports both write and read operations. Synthesizer programming, device configuration and control are achieved through a mixture of hardware and software controls. Hardware pins can be used to control ENBL, MODE and RESETX or the device can be programmed entirely via the serial bus.

The serial data interface can be configured for 4-wire operation, by setting the '4WIRE' bit in the SDI\_CTRL register high. Then pin 26 is used as the data out pin, and pin 32 is the serial data in pin.



## Hardware Control

Three hardware control pins are provided: ENBL, MODE, and RESETX.

The ENBL pin has two functions: to enable the analog circuits in the chip and to trigger the VCO auto-selection and coarse tuning mechanisms. The VCO auto-selection and coarse tuning are initiated when the ENBL pin is taken high. Every time the frequency of the synthesizer is reprogrammed, ENBL has to be asserted high to initiate these mechanisms and then to initiate the PLL locking. Alternatively following the programming of a new frequency the PLL re-lock self clearing bit could be used.

If the device is left in the enabled state for long periods, it is recommended that VCO auto-selection and coarse tuning (band selection) is performed for every 30 °C change in temperature. The lock detect flag can be used to indicate when to perform the VCO calibration; it shows that the VCO tuning voltage has drifted significantly with changing temperature.

The RESETX pin is a hardware reset control that will reset all digital circuits to their startup state when asserted low. The device includes a power-on-reset function, so this pin should not normally be required, in which case it should be connected to the positive supply.

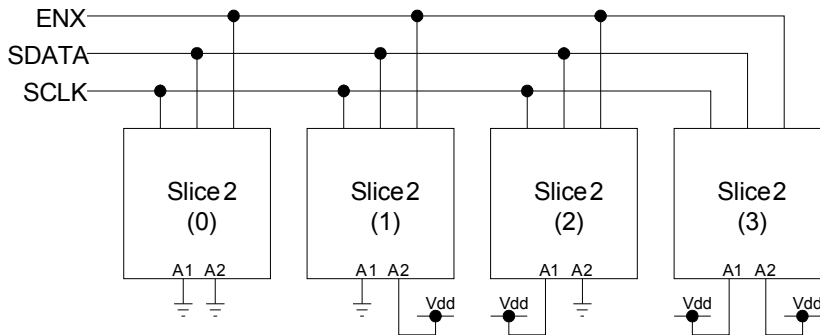
The MODE pin controls which PLL programming register bank is active.

## Serial Data Interface Control

The normal mode of operation uses the 3-wire serial data interface to program the device registers, and three extra hardware control lines; MODE, ENBL and RESETX.

When the device is under software control, achieved by setting the SIPIN bit in the SDI\_CTRL register high, then the hardware can be controlled via the SDI\_CTRL register. When this is the case, the MODE and ENBL control lines are not required. If the device is under software control, pins 1 and 9 can be configured as general purpose outputs (GPO).

## Multi-Slice Mode



The Multi-Slice mode of operation allows up to four chips to be controlled from a common serial bus. The device address pins, (15 and 16) ADD1 and ADD2, are used to set the address of each part.

On power up, and after a Reset, the devices ignore the address pins ADD1 and ADD2 and any data presented to the serial bus will be programmed into all the devices. However, once the 'ADDR' bit in the SDI\_CTRL register is set each device then adopts an address according to the state of the address pins on the device.

## General Purpose Outputs

The general purpose outputs (GPOs) can be controlled via the GPO register, and will depend on the state of MODE since they can be set in different states corresponding to either path 1 or 2. The GPOs can be used for example to drive LEDs, or to control external circuitry such as switches or low power LNAs.

Each GPO pin can supply up to and above 20mA load current. The output voltage of the GPO high state will drop with increased current drive, by approximately 25mV/mA. Similarly the output voltage of the GPO low state will rise with increased current, again by approximately 25mV/mA.

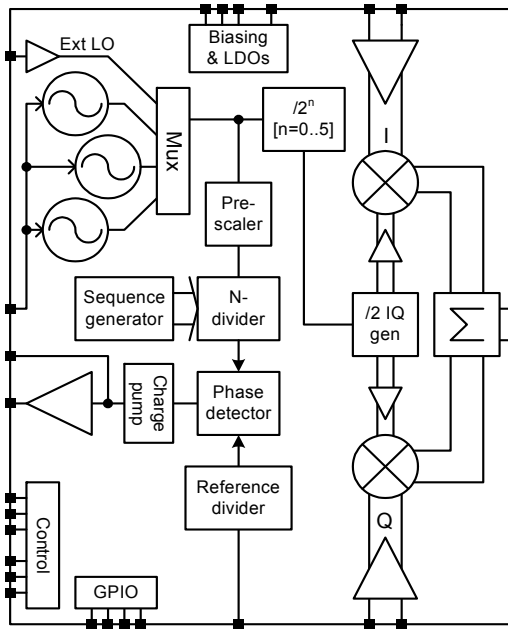
## Programming Information

Please refer to the register map and programming guides which are available for download from <http://rfmd.com/products/IntSynthModulator/>.

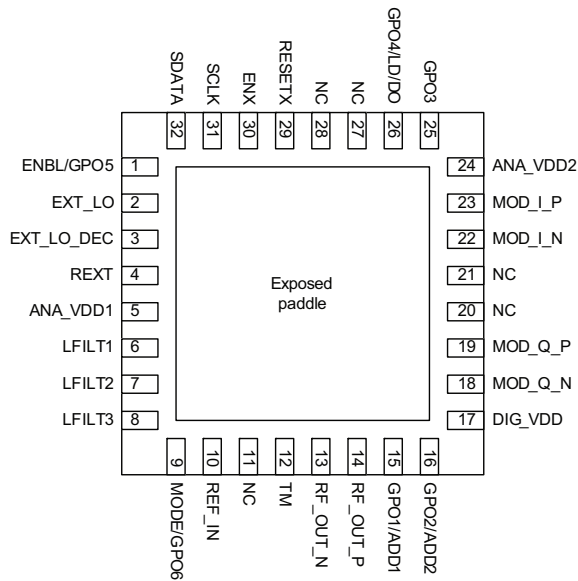
## Evaluation Boards

The evaluation board for the RFMD2080 is provided as part of a design kit, along with the necessary cables and programming software tool to enable full evaluation of the device. The evaluation board has been configured for wideband operation; the modulator output is connected to a wideband transmission line transformer balun. Design kits can be ordered from [www.rfmd.com](http://www.rfmd.com) or from local RFMD sales offices and authorized sales channels. For ordering codes please see "Ordering Information" on the last page of this data sheet. For further details on how to set up the design kits please refer to the user guide which can be downloaded from <http://rfmd.com/products/IntSynthModulator/>.

Detailed Functional Block Diagram



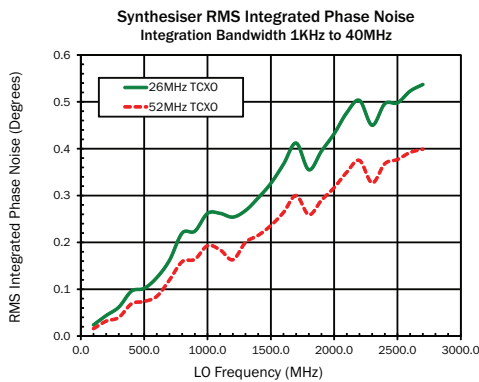
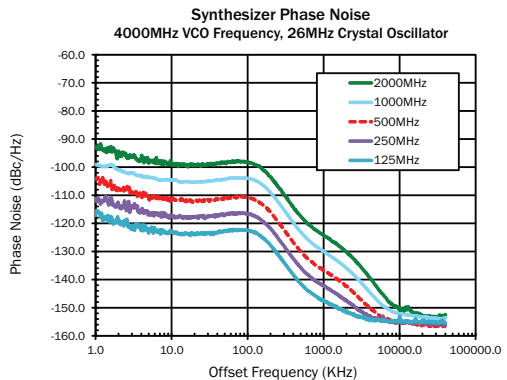
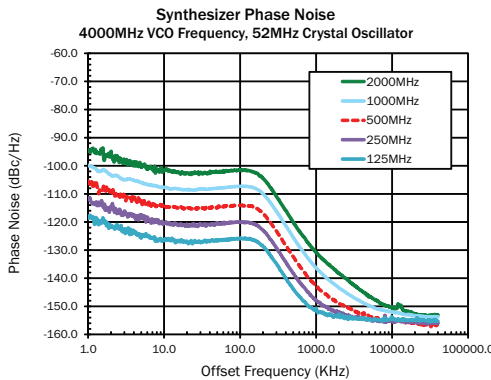
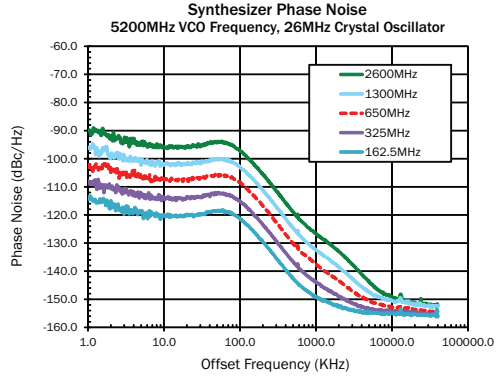
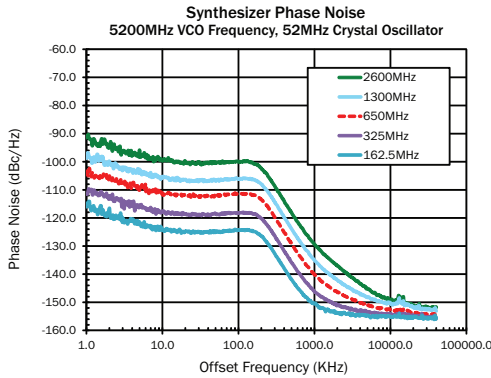
Pin Out





Typical Performance Characteristics: Synthesizer

$V_{DD} = +3V$  and  $T_A = +27^\circ C$  unless stated otherwise, as measured on RFMD2080 evaluation board

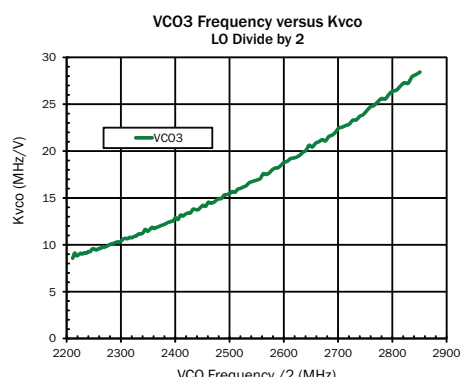
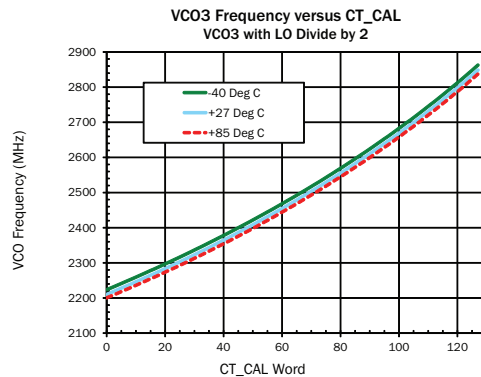
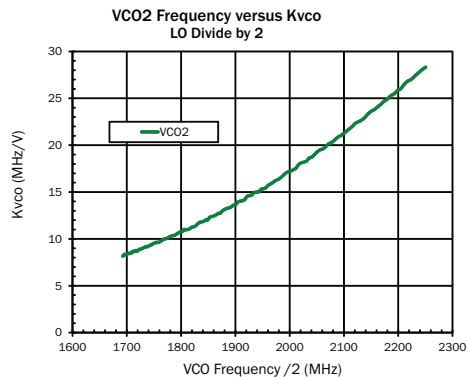
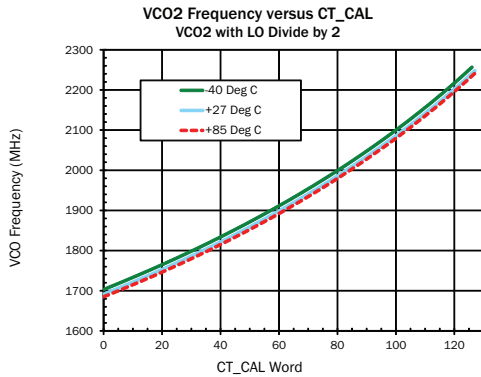
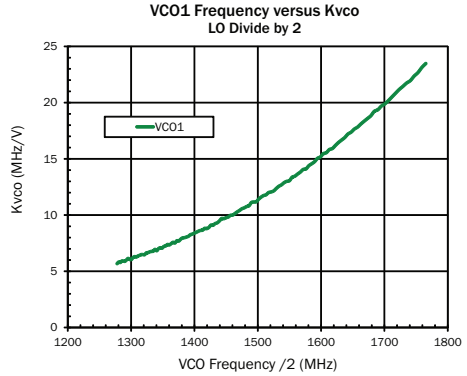
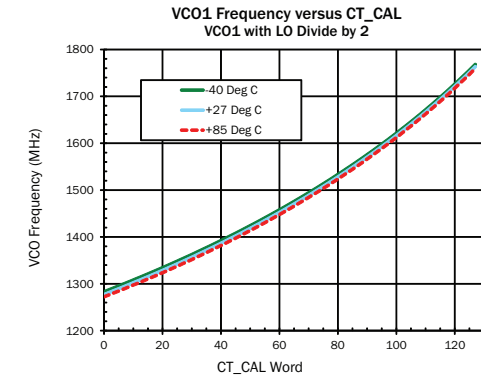


Note:

- 26MHz Crystal Oscillator: NDK ENA3523A
- 52MHz Crystal Oscillator: NDK ENA3560A

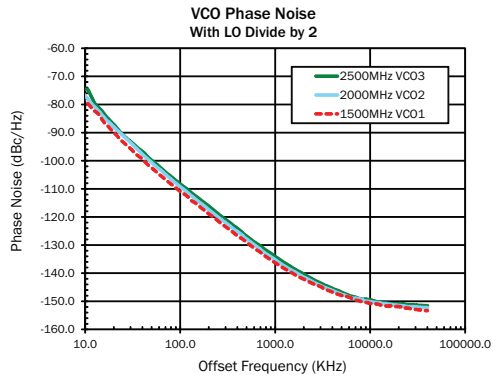
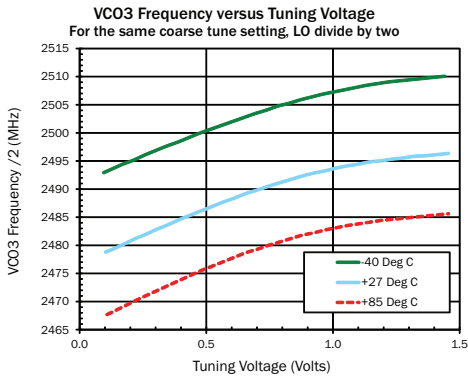
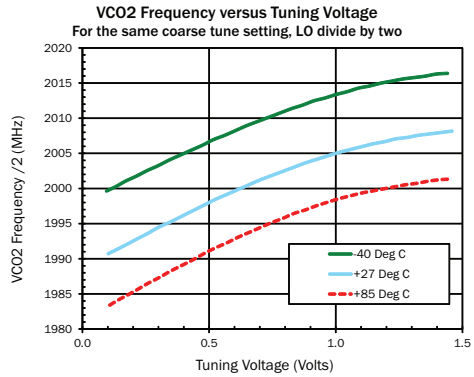
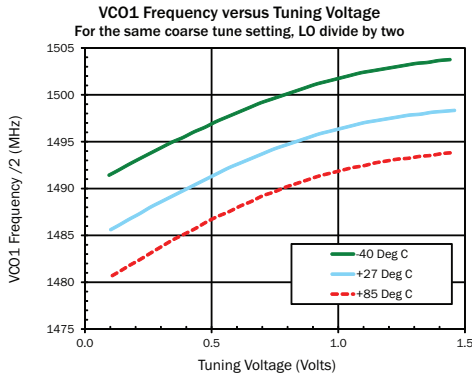
## Typical Performance Characteristics: VCO

$V_{DD} = +3V$  and  $T_A = +27^\circ C$  unless stated otherwise, as measured on RFMD2080 evaluation board



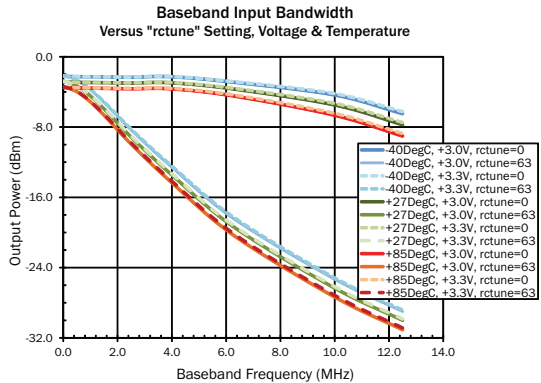
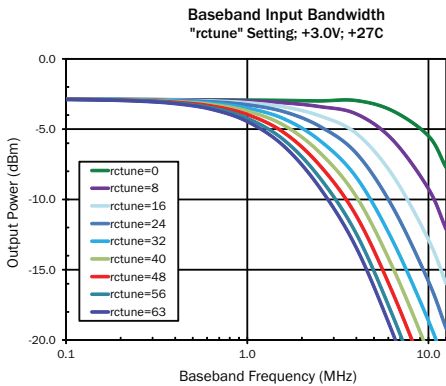
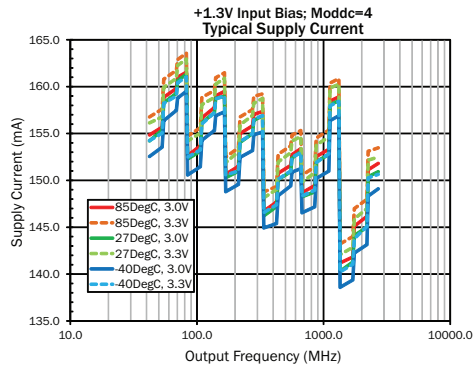
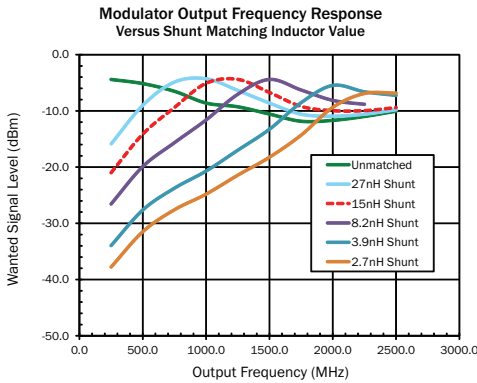
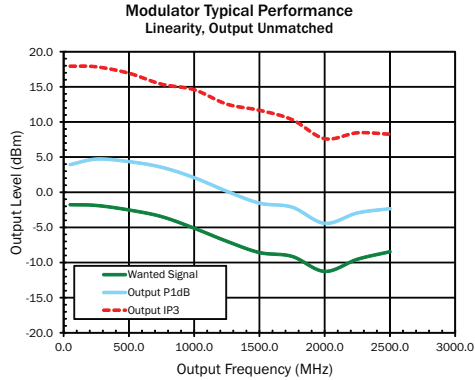
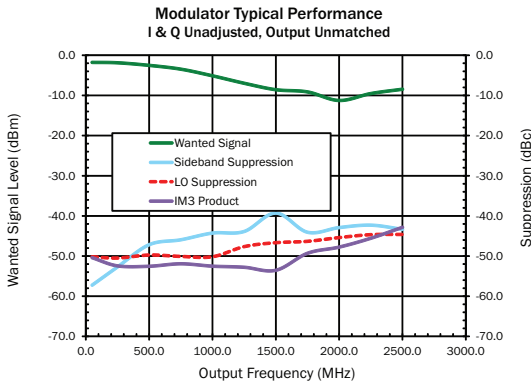
**Typical Performance Characteristics: VCO**

$V_{DD} = +3V$  and  $T_A = +27^\circ C$  unless stated otherwise, as measured on RFMD2080 evaluation board



## Typical Performance Characteristics: IQ Modulator

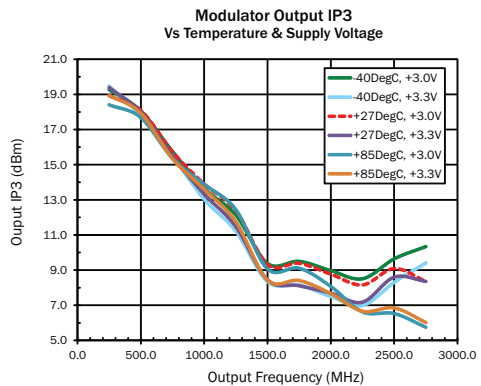
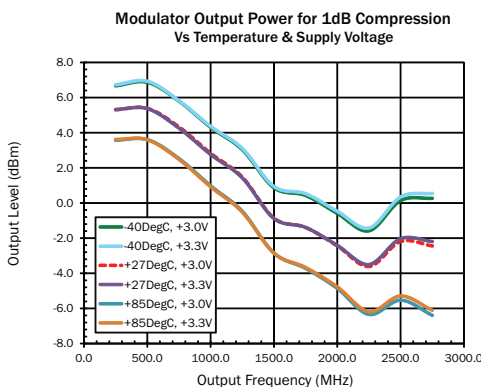
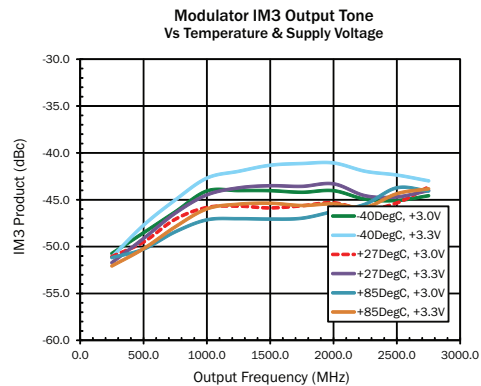
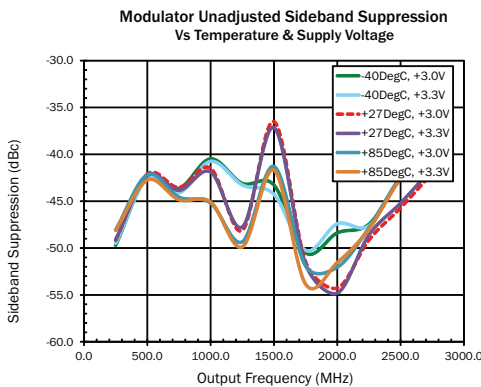
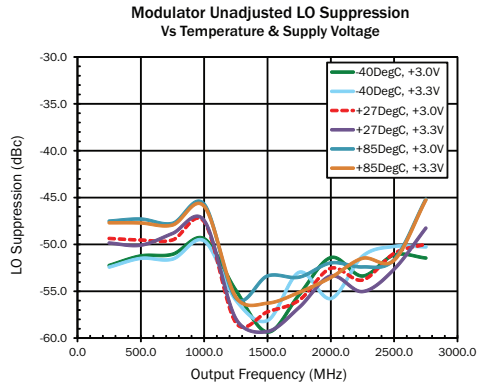
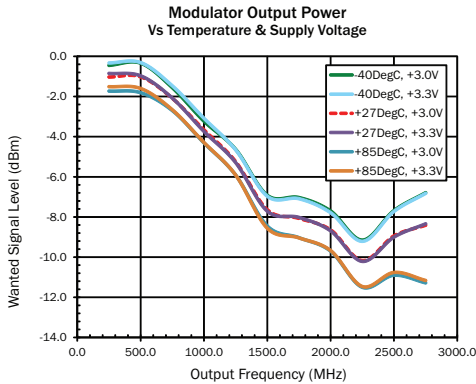
$V_{DD} = +3V$  and  $T_A = +27^\circ C$  unless stated otherwise, as measured on RFMD2080 evaluation board. I and Q Input Level  $1V_{p,p}$  differential with  $+1.15V$  DC bias. DC bias current setting in modulator core,  $moddc = 4$ .





## Typical Performance Characteristics: IQ Modulator

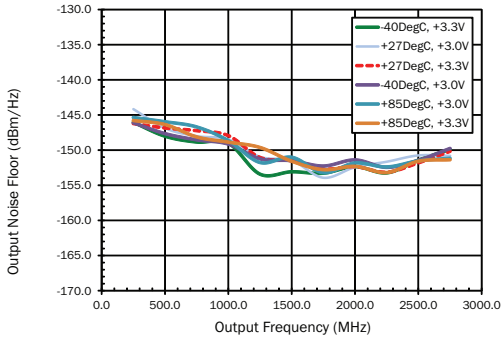
$V_{DD} = +3V$  and  $T_A = +27^\circ C$  unless stated otherwise, as measured on RFMD2080 evaluation board. I and Q Input Level  $1V_{P,P}$  differential with  $+1.15V$  DC bias. DC bias current setting in modulator core, moddc = 4.



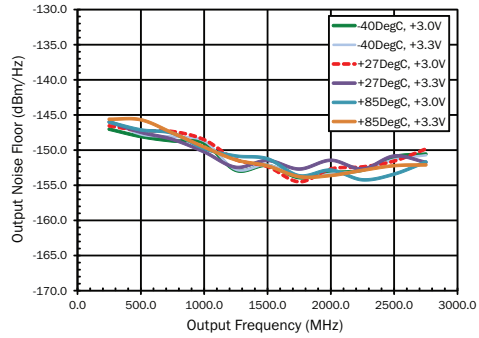
## Typical Performance Characteristics: IQ Modulator

$V_{DD} = +3V$  and  $T_A = +27^\circ C$  unless stated otherwise, as measured on RFMD2080 evaluation board. I and Q Input Level  $1V_{p,p}$  differential with  $+1.15V$  DC bias. DC bias current setting in modulator core, moddc = 4.

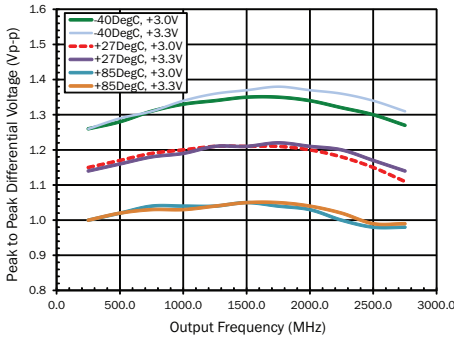
Modulator Output Noise Floor  
1MHz Offset



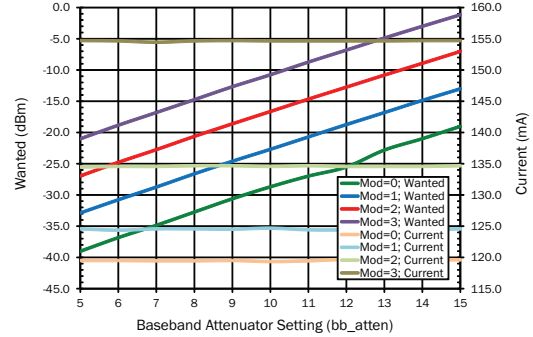
Modulator Output Noise Floor  
5MHz Offset



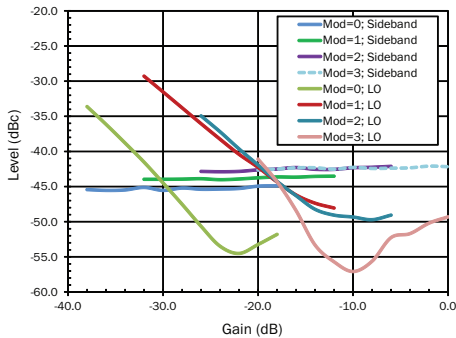
Modulator Input Voltage for 1dB Compression  
Vs Temperature & Supply Voltage



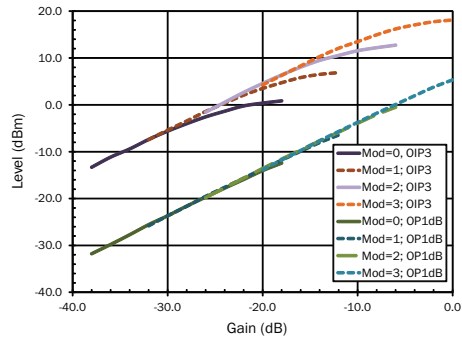
Effect of Gain Setting  
Wanted and Current at 500MHz Output



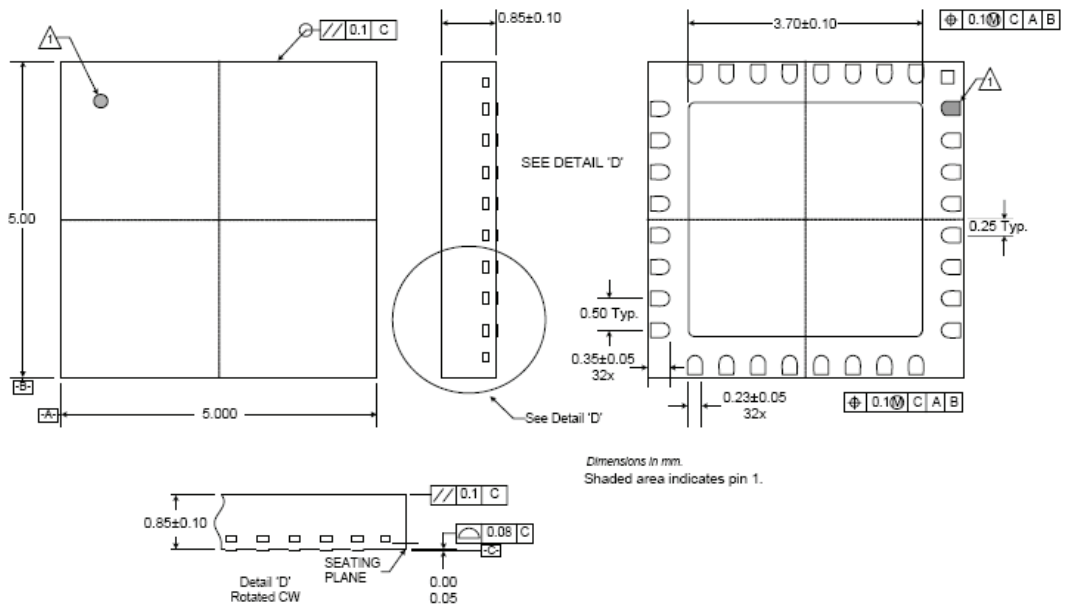
Effect of Gain Setting on Modulator Performance  
Sideband and LO Suppression at 500MHz



Effect of Gain Setting on Linearity  
OIP3 and OP1dB at 500 MHz



## Package Drawing QFN, 32-pin, 5mm x 5mm



## Ordering Information

Ordering Code	Package	Quantity
RFMD2080SB	32-Pin QFN	5-Piece sample bag
RFMD2080SQ	32-Pin QFN	25-Piece sample bag
RFMD2080SR	32-Pin QFN	100-Piece reel
RFMD2080TR7	32-Pin QFN	750-Piece reel
RFMD2080TR13	32-Pin QFN	2500-Piece reel
DKMD2080	Complete Design Kit	1 Box