

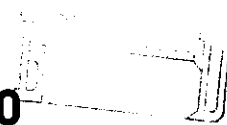


SOLID STATE DEVICES, INC

14849 Firestone Boulevard · La Mirada, CA 90638
Phone: (714) 670-SSDI (7734) · Fax: (714) 522-7424

Designer's Data Sheet

SVZ5.6 thru SVZ1400



100-6500 AMPS (TRANSIENT)
70-4500 VOLTS (TRANSIENT)
7.5-1820 VOLTS (NOMINAL)
5.6-1400 VOLTS(STAND-OFF)

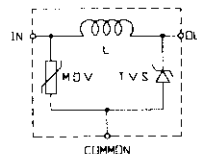
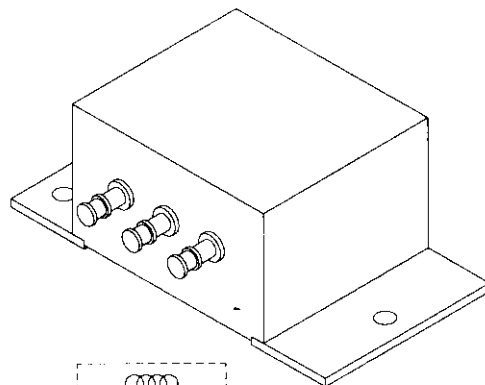
SURGE ARRESTOR MODULE

FEATURES:

- Metal Oxide Varistor as diverter element to handle high transient current, clamp high transient voltage, and absorb high transient energy
- Power Inductor as Series impedance element to lower transient voltage and slow down the rate of rise of fast switching transient pulses/NEMP.
- Transient Voltage Suppressor as clamp element to further reduce transient voltage and precisely control voltage level to the safe predetermined voltage.
- Different mounting and terminations available
- Higher Power Versions available

APPLICATIONS:

- Voltage Transient protection on the input AC power lines of Switch Mode Power Supplies
- Lightning/NEMP Protection
- Arc Suppression & Ground Fault Interrupters
- Transient protection to IEEE Standard 587-1980 Cat. B
- Power Switches & Device Protection from overvoltage



SPECIFICATIONS

Operating Temperature Range	-55°C to +125°C	Inductor Rating:	Inductance: 2µH-800µH 1-12 Amp rating Nominal DCR: 0.005-0.470 Ω
Storage Temperature Range	-65°C to 150°C		

INPUT RATINGS (M.O.V)

AC Voltage	11-1000 Volts (RMS)
DC Voltage	15-1465 Volts
Nominal Voltage	18-1800 Volts (±10%)
Standoff Voltage	16-1500 Volts
Peak Single Pulse Transient Current	100-6500 Amps *
Peak Single Pulse Transient Voltage	70-4500 Volts *
Peak Single Pulse Transient Energy	0.3-500 Joules *
Max Allowable Continuous Power	0.01-1.0 Watts
Transient Average Power Dissipation	0.1-1.0 Watts
Typical Capacitance	50-40,000 pF
Response Time	15-25 nsec
Max Temperature Coefficient	-0.05%/°C

OUTPUT RATINGS (T.V.S.)

Stand-off Voltage	5.6-1400 Volts
Nominal Voltage	7.5-1820 Volts (±10%/±5%)
Steady-State Power	84 Watt
Peak Pulse Power	140 KWatt*/21 KWatt**
Peak Pulse Clamping Voltage	11.7-2590 Volts **
Peak Pulse Clamping Current	8.0-1800 Amps **
Maximum Current	0.04-10 Amps
Max. Dynamic impedance	0.05-1400 Ohms
Max. Response Time	50nsec ***
Max. Self Restore Time	50 nsec****
Typical Temp. Coefficient	0.03-0.09%/°C

* (8X20µs impulse) *** from onset of voltage transient
 ** (10X1000 µs pulse) **** following cessation of transient

NOTE: All specifications are subject to change without notification. SCD's for these devices should be reviewed by SSDI prior to release.

DATA SHEET #: T00010 A

RMD