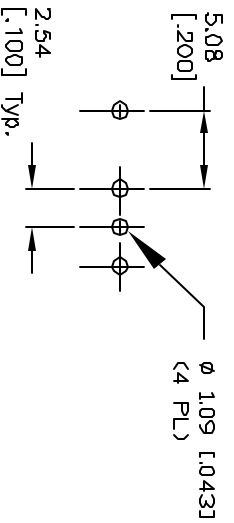


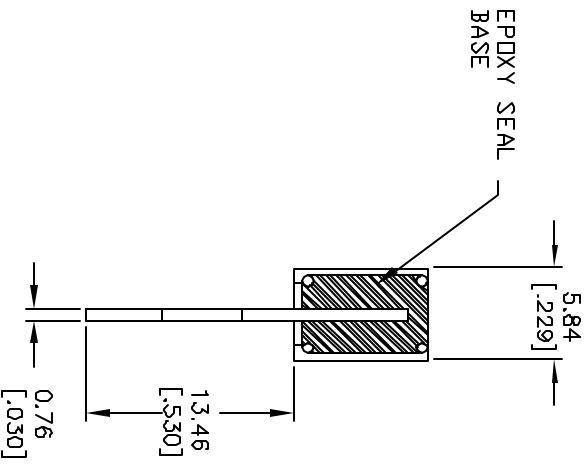
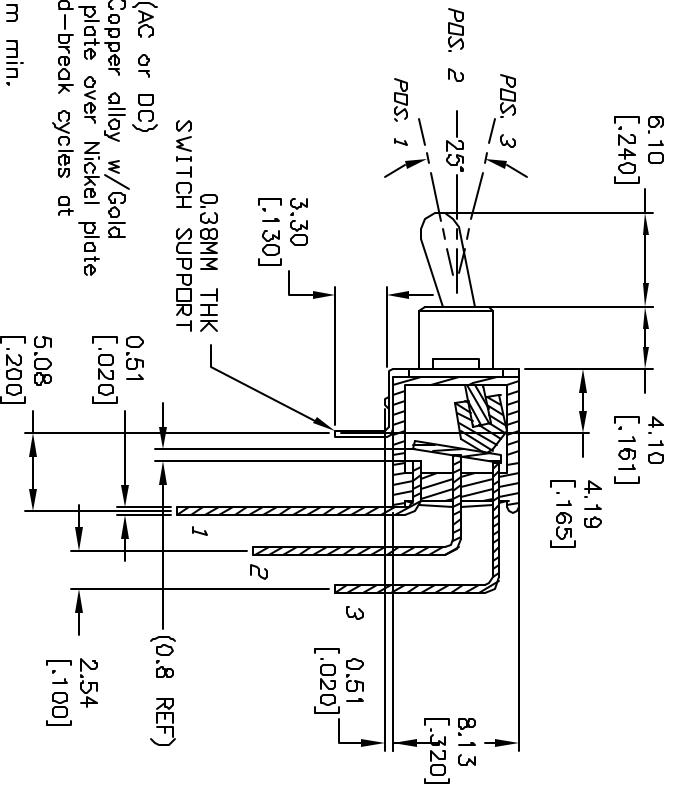
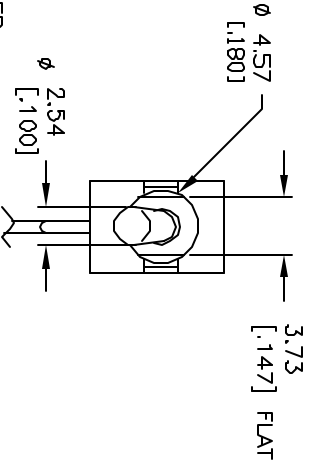
CIRCUIT: SPDT

CONTACT CONFIGURATION

SWITCH FUNCTION		
POS. 1	POS. 2	POS. 3
DN	NONE	DN
2-3	OPEN	2-1



RECOMMENDED P.C.B. LAYOUT



NOTES:

1. ALL DIMENSIONS IN MM [INCH]
2. GENERAL TOLERANCE: X.X=±0.4 X.XX=±0.25
3. TERM. NOS. FOR REF. ONLY
4. RATING: 0.4(A) max. @20V max. (AC or DC)
5. FIXED TERM. & MOVING CONTACT: Copper alloy w/Gold plate over Nickel plate
6. ELECTRICAL LIFE: 50,000 make-and-break cycles at full load.
7. INSULATION RESISTANCE: 1000M ohm min.
8. DIELECTRIC STRENGTH: 1000V RMS min. @90° level.
9. OPERATING TEMP.: -30°C to 85°C
- ▲ 10: ALL MUST BE BLACK ANODIZED: TOGGLE, BUSHING, & HARDWARE

REV.	ECN No.	DESCRIPTION	DATE	CHKD
B	12514	Change view to cross section	10/28/02	RC
A	12484	RELEASED FOR PRODUCTION	10/14/02	CJB

TITLE	SCALE	DATE	DR	DWG	REV
2004 WMSP-1 T2 A1 M7 R E TOGGLE, HARDWARE, BUSHING BLACK ANODIZED	2:1	10/14/02	CJB	T201113	B

**E-SWITCH®**

THE INFORMATION CONTAINED IN THIS DOCUMENT IS PROPRIETARY TO E-SWITCH AND IS NOT TO BE COPIED OR TRANSMITTED