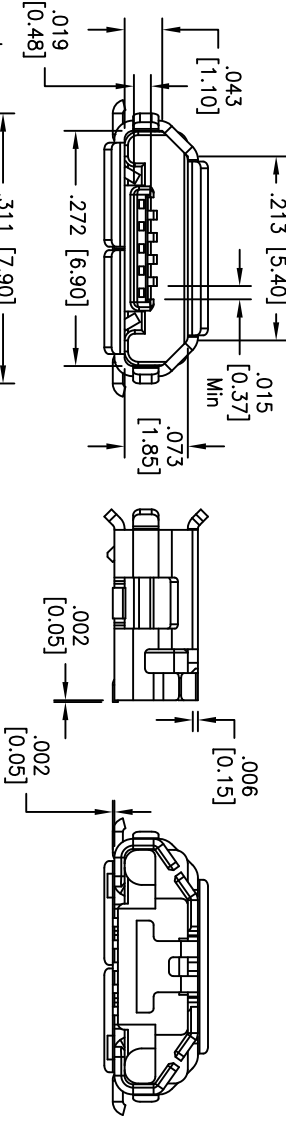
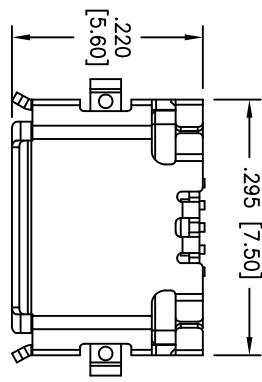


Rev	AWO #	Description	Date	Appr
-		RELEASED	4/26/11	

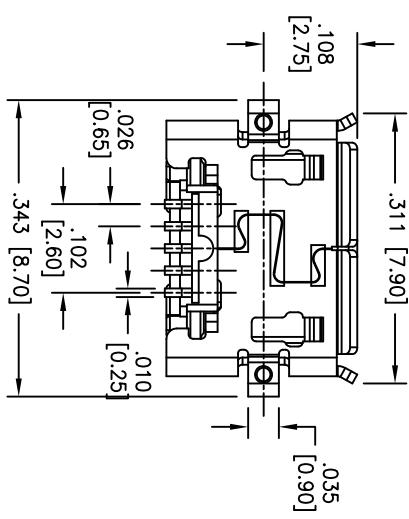
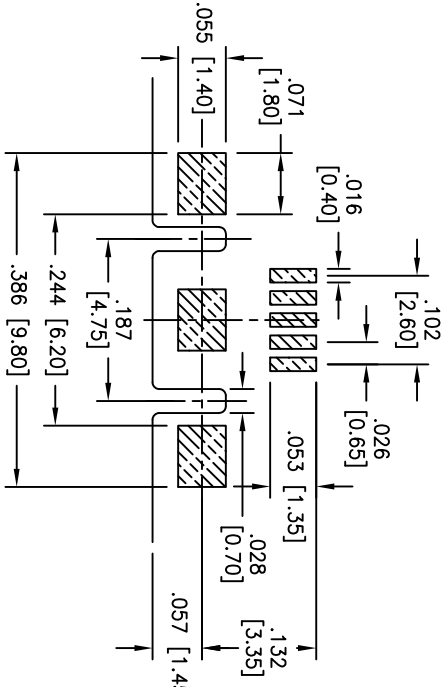
6 5 4 3 2 1

APPROVED: _____

DATE: _____ TITLE: _____



RECOMMENDED PCB LAYOUT



SPECIFICATIONS:

Material:
 Insulator: LCP, glass reinforced, rated UL 94V-0
 Insulator color: Black
 Contacts: Phosphor Bronze
 Shell: Brass

Plating:
 Gold Flash over Nickel underplate overall

Electrical:
 Operating voltage: 30 VAC max.
 Current rating: 1.5 Amp max.
 Contact resistance: 30 mohms max.
 Insulation resistance: 100 Mohms min. @ 100 VDC
 Withstand voltage: 100 VAC for 1 minute

Packaging:
 Supplied on Tape & Reel

Environmental:
 Lead free, RoHS compliant.

Recommended soldering temp: 260°C for 5 sec.



ADAM TECH

909 Railway Avenue, Union, NJ 07083
 Phone: 908-687-5000 Fax: 908-687-5710

TITLE
 MICRO USB, TYPE B, SINGLE PORT
 FEMALE, SMT TYPE, TAPE & REEL

UNLESS OTHERWISE SPECIFIED ALL DIMENSIONS ARE INCHES [MM]	
TOLERANCES: EXCEPT AS NOTED	
INCHES	Holes
X ± .10	ØX ± .10
.XX ± .020	ØXX ± .015
.XXX ± .015	ØXXX ± .010
APPROVALS	
DRAWN	DY
CHECKED	
DATE	4/26/11

SIZE PART NO. MCR-B-S-RA-TSMT-INV-T/R

REF: S0002C SCALE: NTS SHEET 1 OF 1

6 5 4 3 2 1