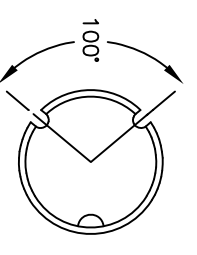
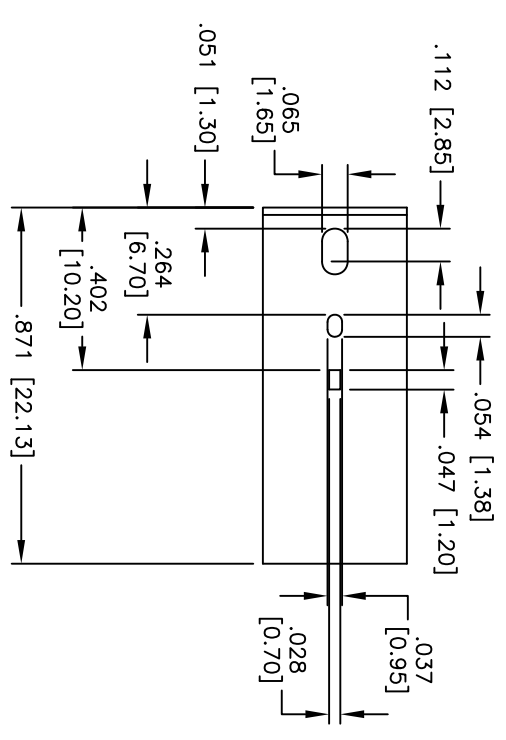
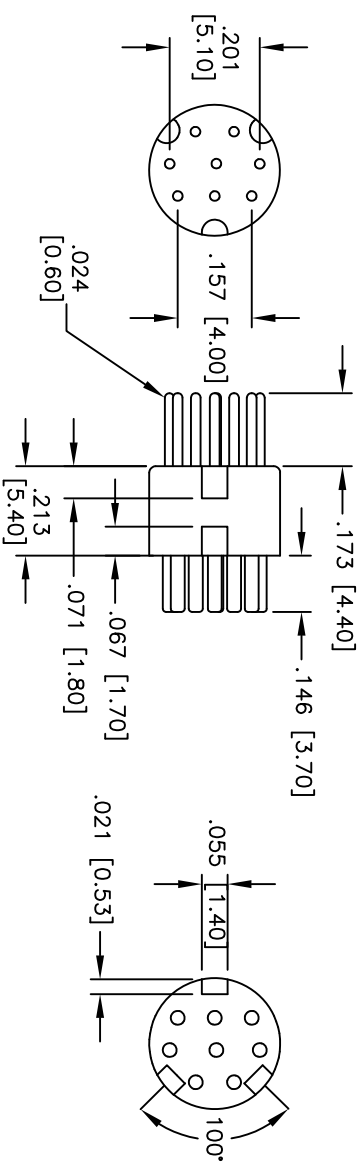


Rev	AWO #	Description	Date	Appr
-		RELEASED	9/02/10	

APPROVED: _____
 DATE: _____ TITLE: _____



MATING FACE CONFIGURATIONS

	MDP-003-M		MDP-004-M		MDP-005-M		MDP-006-M		MDP-007-M		MDP-008-M
--	-----------	--	-----------	--	-----------	--	-----------	--	-----------	--	-----------

SPECIFICATIONS:
 Material: Nylon
 Insulator: Nylon
 Contact: Bronze, Gold flash plated
 Electrical:
 Current rating: 100V AC 1A Max
 Resistance: 50 Mohms min. @500V DC
 Dielectric: 500V AC for 1 minute
 Contact resistance: 30 mohms Max.
 Environmental:
 Lead free, RoHS compliant.

ADAM TECH
 909 Rahway Avenue, Union, NJ 07083
 Phone: 908-687-5000 Fax: 908-687-5710

MINI DIN PLUG, MOLDED TYPE

UNLESS OTHERWISE SPECIFIED
 ALL DIMENSIONS ARE IN INCHES [MM]
 TOLERANCES: EXCEPT AS NOTED
 INCHES Holes
 .X ± .10 ØXX ± .10
 .XX ± .020 ØXXX ± .015
 .XXX ± .015 ØXXXX ± .010

APPROVALS	DATE	TITLE
DRAWN	DY	9/02/10
CHECKED		
APPROVED		
SIZE	PART NO.	REV.
X	MDP-00X-M	
REF: S0008T	SCALE: NTS	SHEET 1 OF 1

