



Precision SMA Male to SMA Female Radius Right Angle Adapter

TECHNICAL DATA SHEET

PE9641

Precision SMA Male to SMA Female Radius Right Angle Adapter
Configuration

Connector 1	SMA Male
Impedance 1	50 Ohms
Connector Specification 1	MIL-STD-348
Connector 2	SMA Female
Impedance 2	50 Ohms
Connector Specification 2	MIL-STD-348
Adapter Design	Precision
Body Style	Radius Right Angle

Electrical Specifications

Frequency Range, GHz	DC to 26
----------------------	----------

Frequency 1

Frequency, GHz	DC to 18
VSWR	1.25:1

Mechanical Specifications
Size

Length, in [mm]	0.675 [17.15]
Width/Dia., in [mm]	0.312 [7.92]
Height, in [mm]	0.64 [16.26]

Connector 1

Type	SMA Male
Inner Conductor Material and Plating	Beryllium Copper, Gold
Inner Conductor Plating Specification	MIL-G-45204, Type II, Class 2
Coupling Nut Material and Plating	Brass, Nickel
Hex Size, in.	5/16
Torque, in-lbs [Nm]	5 [0.57]
Body Material and Plating	Passivated Stainless Steel
Body Plating Specification	QQ-P-35
Dielectric Type	Teflon

Connector 2

Type	SMA Female
Inner Conductor Material and Plating	Beryllium Copper, Gold
Inner Conductor Plating Specification	MIL-G-45204, Type II, Class 2
Body Material and Plating	Passivated Stainless Steel
Body Plating Specification	QQ-P-35
Dielectric Type	Teflon

Click the following link (or enter part number in "SEARCH" on website) to obtain additional part information including price, inventory and certifications: [Precision SMA Male to SMA Female Radius Right Angle Adapter PE9641](#)

The information contained in this document is accurate to the best of our knowledge and representative of the part described herein. It may be necessary to make modifications to the part and/or the documentation of the part, in order to implement improvements. Pasternack reserves the right to make such changes as required. Unless otherwise stated, all specifications are nominal.



Precision SMA Male to SMA Female Radius Right Angle Adapter

TECHNICAL DATA SHEET

PE9641

Compliance Certifications (visit www.Pasternack.com for current document)

RoHS Compliant

Yes

Plotted and Other Data

Notes:

Values at 25 °C, sea level

Precision SMA Male to SMA Female Radius Right Angle Adapter from Pasternack Enterprises has same day shipment for domestic and International orders. Our RF, microwave and fiber optic products maintain a 99% availability and are part of the broadest selection in the industry.

Click the following link (or enter part number in "SEARCH" on website) to obtain additional part information including price, inventory and certifications: [Precision SMA Male to SMA Female Radius Right Angle Adapter PE9641](#)

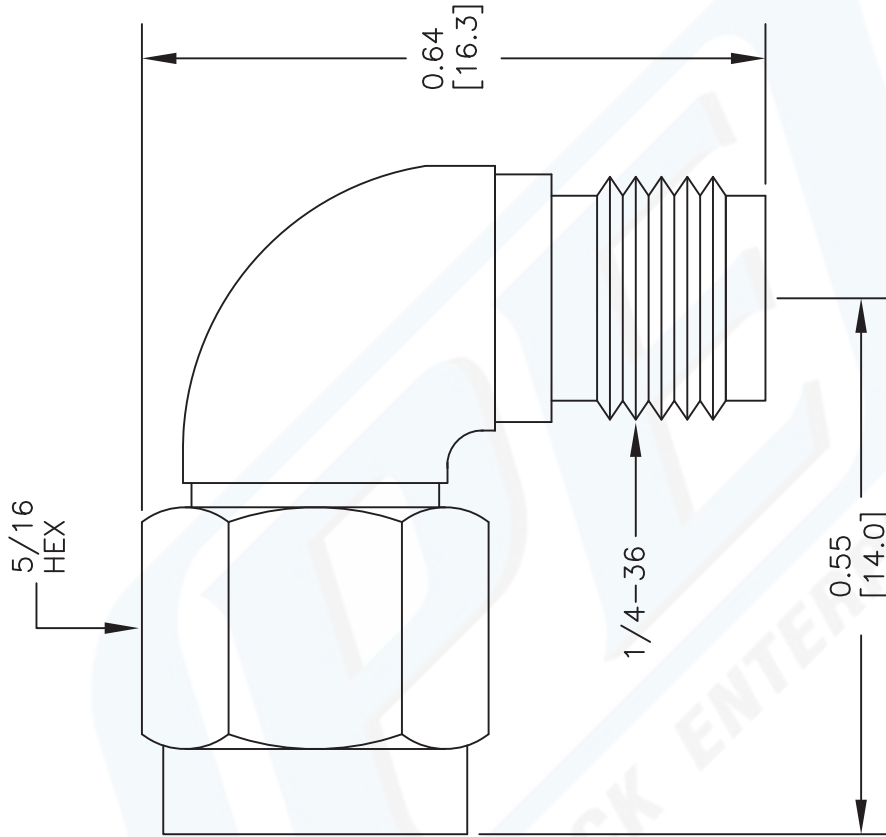
URL: <http://www.pasternack.com/sma-male-sma-female-right-angle-adapter-pe9641-p.aspx>

The information contained in this document is accurate to the best of our knowledge and representative of the part described herein. It may be necessary to make modifications to the part and/or the documentation of the part, in order to implement improvements. Pasternack reserves the right to make such changes as required. Unless otherwise stated, all specifications are nominal.



PE9641 CAD Drawing

Precision SMA Male to SMA Female Radius Right Angle Adapter



NOTES:
 1. UNLESS OTHERWISE SPECIFIED ALL DIMENSIONS ARE NOMINAL.
 2. ALL SPECIFICATIONS ARE SUBJECT TO CHANGE WITHOUT NOTICE AT ANY TIME.
 3. DIMENSIONS ARE IN INCHES [mm].

DWG TITLE
PE9641

FSCM NO. 53919

2233

SIZE A

SCALE N/A

CAD FILE 092012-A

PE PASTERNAK®
 Pasternack Enterprises, Inc.
 P.O. Box 16759 | Irvine | CA | 92623
Phone: (949) 261-1920 | **Fax:** (949) 261-7451
Website: www.pasternack.com | **E-Mail:** sales@pasternack.com