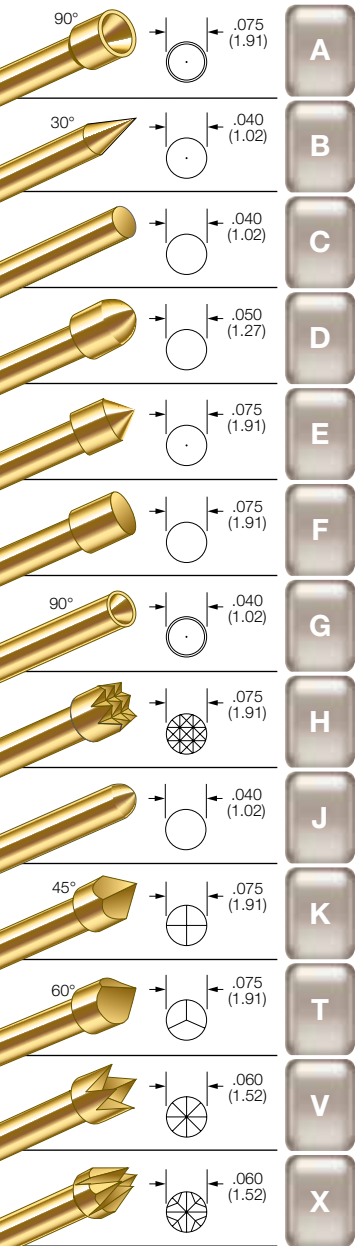


# Series S SIZE 2 .100 CENTERS

## BeCu PLUNGER TIPS



## PROBE SPECIFICATIONS

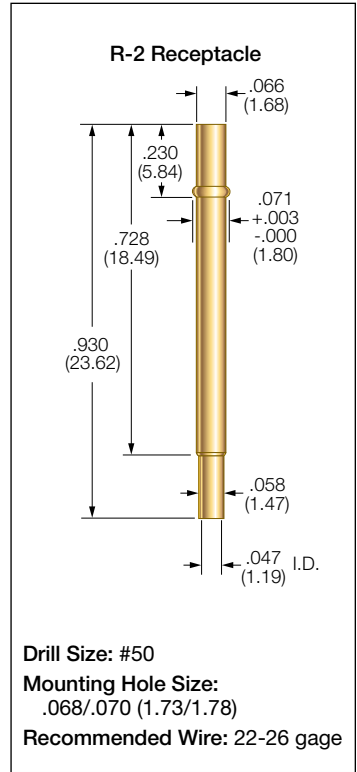
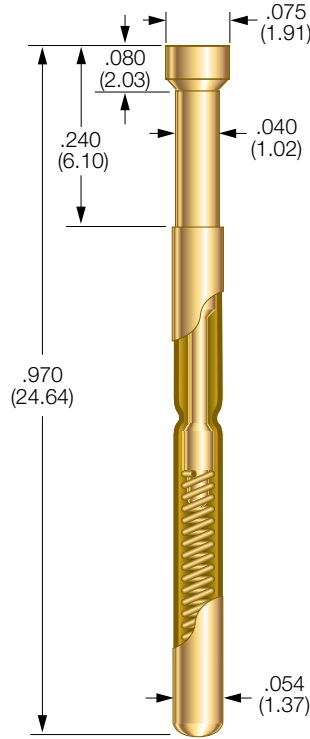
**Minimum Centers:** .100 (2.54)  
**Current Rating:** 3 amps continuous  
**Spring Force:** 4.0, 7.0, 8.3 or 10.0 oz. @ .100 (2.54) travel  
**Typical Resistance:** < 35 mΩ  
**Maximum Travel:** .160 (4.06)  
**Working Travel:** .100 (2.54)

| Rated Force oz (g) | Preload oz (g) | Material |
|--------------------|----------------|----------|
| 4.0 (113)          | 1.6 (45)       | BeCu     |
| 7.0 (198)          | 2.9 (82)       | SS       |
| 8.3 (235)          | 3.3 (93)       | MW       |
| 10.0 (283)         | 3.9 (110)      | MW       |

## MATERIALS

**Barrel:** Nickel/silver, gold plated  
**Spring:** Beryllium copper, precious metal plated, music wire or stainless steel, gold plated  
**Plunger:** Beryllium copper, gold plated over nickel or Duralloy™  
**Receptacle:** Nickel/silver, gold plated; gold plated post

## S-2 PROBE



## RECEPTACLE OPTIONS

| Part Number | Style      | Receptacle Length | Probe/Receptacle Combined Length | Comments                     |
|-------------|------------|-------------------|----------------------------------|------------------------------|
| R-2-CR      | Crimp      | 0.930 (23.62)     | 1.170 (29.72)                    | —                            |
| R-2-SC      | Solder Cup | 0.930 (23.62)     | 1.170 (29.72)                    | —                            |
| R-2-RP      | Round Post | 1.305 (31.15)     | 1.545 (39.24)                    | .375 post length - .025 dia. |
| R-2-WW-429  | Wire Wrap  | 1.359 (34.52)     | 1.599 (40.61)                    | .429 post length - .025 sq.  |

## HOW TO ORDER: SPRING CONTACT PROBE

|          |          |           |              |                 |
|----------|----------|-----------|--------------|-----------------|
| <b>S</b> | <b>2</b> | <b>A</b>  | <b>4</b>     | <b>G</b>        |
| SERIES   | SIZE     | TIP STYLE | SPRING FORCE | PLATING OPTIONS |

**SPRING FORCE:**  
 4.0 oz. @ .100 (2.54) TRAVEL  
 7.0 oz. @ .100 (2.54) TRAVEL  
 8.3 oz. @ .100 (2.54) TRAVEL  
 10.0 oz. @ .100 (2.54) TRAVEL

**SERIES:**  
**S:** STANDARD  
**SX:** IMPROVED POINTING ACCURACY

**PLATING OPTIONS:**  
**G:** GOLD PLATED PLUNGER  
**D:** DURALLOY™ PLATED PLUNGER

**CRIMPING PLIERS:** CP2  
**INSERTION TOOL:** RT2

## RECEPTACLE

|          |          |             |             |
|----------|----------|-------------|-------------|
| <b>R</b> | <b>2</b> | <b>WW</b>   | <b>429</b>  |
| SERIES   | SIZE     | TERMINATION | POST LENGTH |

**TERMINATIONS:**  
**CR:** CRIMP  
**SC:** SOLDER CUP  
**RP:** ROUND POST  
**WW:** WIRE WRAP

**POST LENGTH:**  
**WW:** 429

VIEW UPDATES OF THIS INFORMATION AT [WWW.IDINET.COM](http://WWW.IDINET.COM)

Specifications subject to change without notice. Dimensions in inches (millimeters)