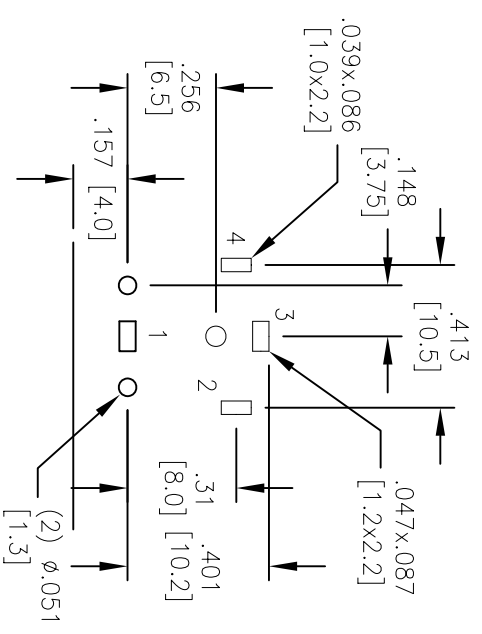
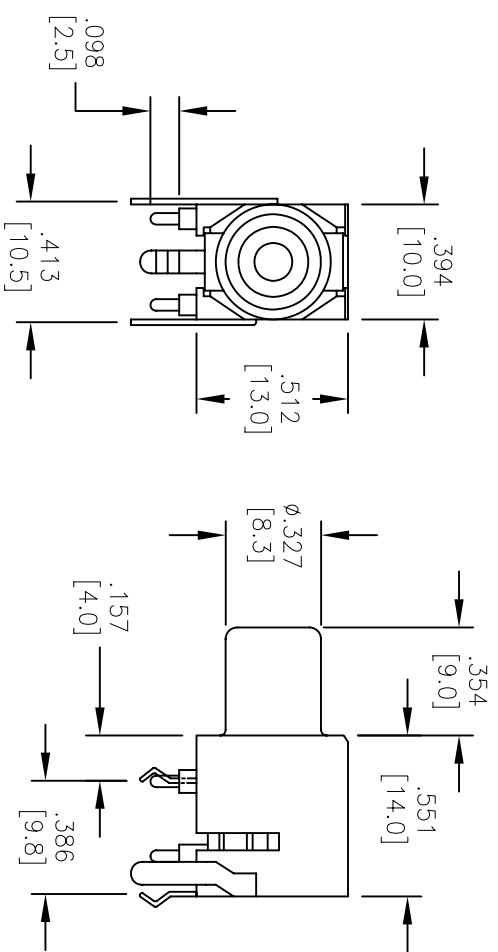
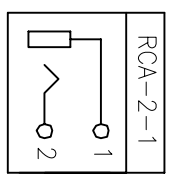


Rev	AWO #	Description	Date	Appr
-		RELEASED	12/9/04	

APPROVED: _____
 DATE: _____ TITLE: _____



RECOMMENDED PCB LAYOUT
(BOTTOM VIEW)



PART NO.	COLOR
RCA-2-1-B	BLACK
RCA-2-1-R	RED
RCA-2-1-W	WHITE
RCA-2-1-Y	YELLOW

SPECIFICATIONS:

Material:

Insulator: PBT, glass reinforced thermoplastic, rated UL 94V-0
 Insulator colors: Red, White, Black & Yellow
 Bushing: Brass, Nickel plated
 Contacts: Brass

Plating:

Tin or Silver over Copper underplate.

Electrical:

Operation voltage: 12V DC max
 Current rating: 1 Amp max
 Insulation resistance: 100 Mohms min
 Dielectric withstanding voltage: 500 VAC for 1 minute
 Temperature rating:
 Operating temperature: -25°C to +85°C

Environmental:

Lead free, RoHS compliant.
 Recommended soldering temp: 235°C for 5 sec.
 Packaging:
 Anti-ESD plastic bags



ADAM TECH
 909 Railway Avenue, Union, NJ 07083
 Phone: 908-687-5000 Fax: 908-687-5710

TITLE: RCA JACK, RIGHT ANGLE, 1 PORT,
 PCB MOUNT

UNLESS OTHERWISE SPECIFIED ALL DIMENSIONS ARE INCHES [MM]	
TOLERANCES: EXCEPT AS NOTED	
INCHES	HOLES
X ± .10	ØXX ± .10
.XX ± .020	ØXX ± .015
.XXX ± .015	ØXXX ± .010
APPROVALS	DATE
SS	12/9/04
CHECKED	
APPROVED	

SIZE	PART NO.	REV.
X	RCA-2-1-X	-
SCALE:	NTS	SHEET 1 OF 1