

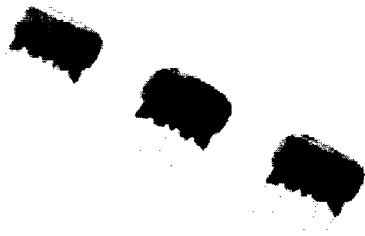
PIEZO FILTERS  
SAW FILTERS FOR CABLE MODEM  
DTV/DIGITAL CATV

**NEW**

**Murata**  
Innovator in Electronics

SAF Series

To meet the needs of the newest emerging technologies, Murata now offers a line of SAW filters designed for Digital Television, Digital Cable Television, and Cable Modem applications.



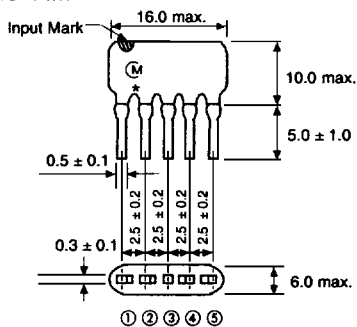
**SPECIFICATIONS**

**SAF MHz**

Part Number	SAF44MTC80ZL	SAF44.00MTD220ZL	SAF44.00MTE220ZL
<b>Insertion Loss (at 44.00 MHz)</b>	22.0dB	20.5dB	21.0dB
<b>Amplitude Response dB</b>	39.75MHz	35.0 min.	-
	40.00MHz	-	32.0 min.
	40.50MHz	-	10.0 min.
	41.00MHz	-	3.5 ± 1.5
	41.31MHz	0.7 ± 1.3	-
	41.47MHz	-	0.0 ± 1.2
	46.53MHz	-	0.0 ± 1.2
	46.69MHz	1.5 ± 1.5	-
	47.00MHz	-	3.5 ± 1.5
	47.25MHz	25.0 min.	-
	47.50MHz	-	10.0 min.
48.00MHz	-	34.0 min.	
<b>Amplitude Ripple</b>	1.0dB p-p (41.62 to 46.38MHz)	1.0dB p-p (41.00 to 47.00MHz)	1.0dB p-p (41.00 to 47.00MHz)
<b>GDT Ripple</b>	60 nsec. max. (41.62 to 46.38MHz)	60 nsec. p-p max. (41.00 to 47.00MHz)	60 nsec. p-p max. (41.00 to 47.00MHz)
<b>Spurious Responce (dB min.) (Reference Level at 44.00MHz)</b>	30.00 (0.00 to 40.00MHz) 30.00 (48.00 to 55.00MHz)	30.0 (35.00 to 40.00MHz) 28.0 (48.00 to 55.00MHz)	28.00 (0.00 to 40.00MHz) 25.00 (48.00 to 55.00MHz)

**DIMENSIONS: mm**

**SAF-80Z**

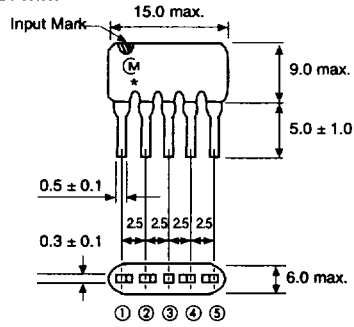


- ① Input
- ② Input Ground
- ③ Ground
- ④ Output
- ⑤ Output

\* : EIA-J Date Code

**DIMENSIONS: mm**

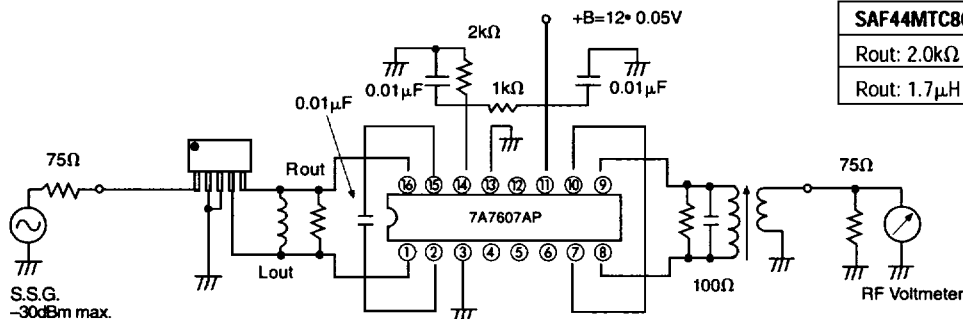
**SAF-220Z**



- ① Input
- ② Input Ground
- ③ Ground
- ④ Output
- ⑤ Output

\* : EIA-J Date Code

**TEST CIRCUIT**



SAF44MTC80ZL	SAF44.00MTD(E)220Z6
Rout: 2.0kΩ	Rout: 3.0kΩ
Rout: 1.7μH	Lout: 1.55μH