



U74HC541

CMOS IC

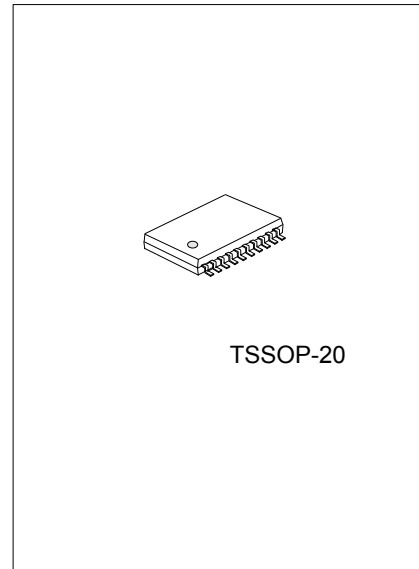
OCTAL BUFFERS AND LINE DRIVERS WITH 3-STATE OUTPUTS

DESCRIPTION

The **U74HC541** is a octal buffers and line drivers with 3-state outputs and 8 channels.

FEATURES

- * Operate from 2V to 6V
- * Max t_{PD} of 23ns at 4.5 V($C_L=50pF$)
- * Typical $V_{IH} < 3.15V$ at $V_{CC}=4.5V, T_a=25^\circ C$
- * Typical $V_{IL} > 1.35V$ at $V_{CC}=4.5V, T_a=25^\circ C$

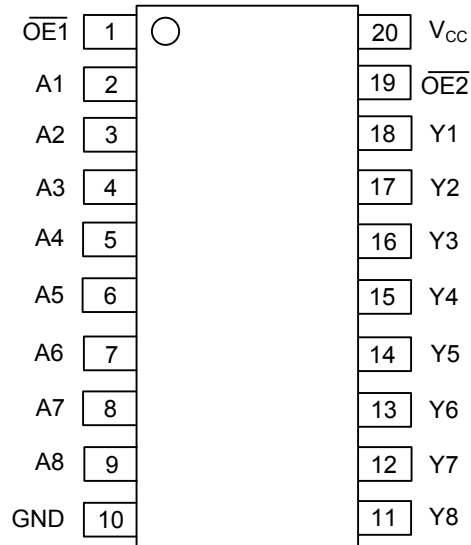


ORDERING INFORMATION

Ordering Number	Package	Packing
U74HC541G-P20-R	TSSOP-20	Tape Reel
U74HC541G-P20-T	TSSOP-20	Tube

<p>U74HC541G-P20-R</p> <p>(1)Packing Type (2)Package Type (3)Halogen Free</p>	<p>(1) R: Tape Reel, T: Tube (2) P20: TSSOP-20 (3) G: Halogen Free</p>
---	--

■ PIN CONFIGURATION

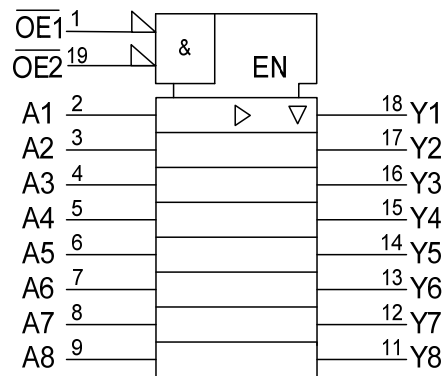


■ FUNCTION TABLE

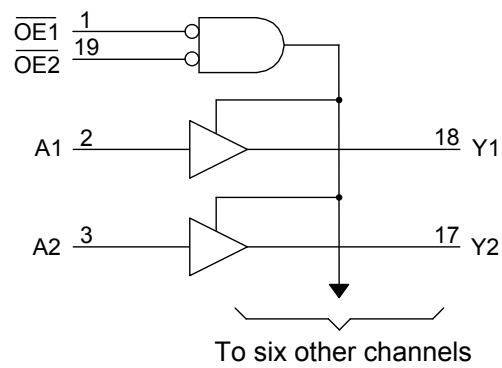
INPUTS($\overline{OE1}$)	INPUTS($\overline{OE2}$)	INPUTS(A)	OUTPUT(Y)
L	L	L	L
L	L	H	H
H	X	X	Z
X	H	X	Z

Note: H: HIGH voltage level L: LOW voltage level Z: High impedance X: Don't care

■ LOGIC SYMBOL



■ LOGIC DIAGRAM



■ ABSOLUTE MAXIMUM RATING

PARAMETER	SYMBOL	RATINGS	UNIT
Supply Voltage	V_{CC}	-0.5 ~ 7	V
V_{CC} or GND Current	I_{CC}	± 70	mA
Output Current	I_{OUT}	± 35	mA
Input Clamp Current	I_{IK}	± 20	mA
Output Clamp Current	I_{OK}	± 20	mA
Operating Temperature	T_{OPR}	-40 ~ + 85	°C
Storage Temperature	T_{STG}	-65 ~ + 150	°C

Note: Absolute maximum ratings are those values beyond which the device could be permanently damaged.
 Absolute maximum ratings are stress ratings only and functional device operation is not implied.

■ RECOMMENDED OPERATING CONDITIONS

PARAMETER	SYMBOL	TEST CONDITIONS	MIN	TYP	MAX	UNIT
Supply Voltage	V_{CC}		2		6	V
High-Level Input Voltage	V_{IH}	$V_{CC}=2V$	1.5			V
		$V_{CC}=4.5V$	3.15			
		$V_{CC}=6V$	4.2			
Low-Level Input Voltage	V_{IL}	$V_{CC}=2V$			0.5	V
		$V_{CC}=4.5V$			1.35	
		$V_{CC}=6V$			1.8	
Input Voltage	V_{IN}		0		V_{CC}	V
Output Voltage	V_{OUT}		0		V_{CC}	V
Input Transition Rise or Fall Rate	t_R, t_F	$V_{CC}=2V$			1000	ns
		$V_{CC}=4.5V$			500	
		$V_{CC}=6V$			400	

■ ELECTRICAL CHARACTERISTICS ($T_A=25^\circ C$)

PARAMETER	SYMBOL	TEST CONDITIONS	MIN	TYP	MAX	UNIT
Output Voltage High-Level	V_{OH}	$V_{CC}=2V, I_{OH}=-20\mu A$	1.9	1.998		V
		$V_{CC}=4.5V, I_{OH}=-20\mu A$	4.4	4.499		
		$V_{CC}=6V, I_{OH}=-20\mu A$	5.9	5.999		
		$V_{CC}=4.5V, I_{OH}=-6mA$	3.98	4.3		
		$V_{CC}=6V, I_{OH}=-7.8mA$	5.48	5.8		
Output Voltage Low-Level	V_{OL}	$V_{CC}=2V, I_{OL}=20\mu A$		0.002	0.1	V
		$V_{CC}=4.5V, I_{OL}=20\mu A$		0.001	0.1	
		$V_{CC}=6V, I_{OL}=20\mu A$		0.001	0.1	
		$V_{CC}=4.5V, I_{OL}=6mA$		0.17	0.26	
		$V_{CC}=6V, I_{OL}=7.8mA$		0.15	0.26	
Input Leakage Current	$I_{I(LEAK)}$	$V_{CC}=6V, V_{IN}=V_{CC}$ or GND		± 0.1	± 100	nA
Output Off-state Current	I_{OZ}	$V_{CC}=6V, V_{OUT}=V_{CC}$ or GND		± 0.01	± 0.5	μA
Quiescent Supply Current	I_Q	$V_{CC}=6V, V_{IN}=V_{CC}$ or GND, $I_{OUT}=0$			8	μA
Input Capacitance	C_{IN}	$V_{CC}=2V$ to 6V		3	10	pF

■ SWITCHING CHARACTERISTICS (T_A=25°C, C_L=50pF)

PARAMETER	SYMBOL	TEST CONDITIONS	MIN	TYP	MAX	UNIT
Propagation Delay From Input (A) to Output (Y)	t _{PLH} /t _{PHL}	V _{CC} =2V		40	115	ns
		V _{CC} =4.5V		12	23	
		V _{CC} =6V		10	20	
Output Enable Time From \overline{OE} to Y	t _{PZL} /t _{PZH}	V _{CC} =2V		80	150	ns
		V _{CC} =4.5V		17	30	
		V _{CC} =6V		15	26	
Output Disable Time From \overline{OE} to Y	t _{PLZ} /t _{PHZ}	V _{CC} =2V		40	150	ns
		V _{CC} =4.5V		18	30	
		V _{CC} =6V		17	26	
Output Y	t _t	V _{CC} =2V		28	60	ns
		V _{CC} =4.5V		8	12	
		V _{CC} =6V		6	10	

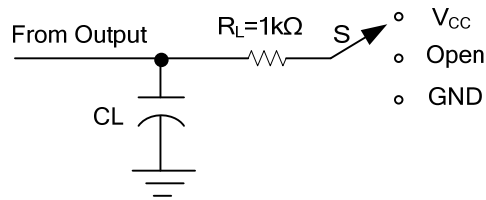
■ SWITCHING CHARACTERISTICS (T_A=25°C, C_L=150pF)

PARAMETER	SYMBOL	TEST CONDITIONS	MIN	TYP	MAX	UNIT
Propagation Delay From Input (A) to Output (Y)	t _{PLH} /t _{PHL}	V _{CC} =2V		65	165	ns
		V _{CC} =4.5V		16	33	
		V _{CC} =6V		14	28	
Output Enable Time From \overline{OE} to Y	t _{PZL} /t _{PZH}	V _{CC} =2V		100	200	ns
		V _{CC} =4.5V		20	40	
		V _{CC} =6V		17	34	
Output Y	t _t	V _{CC} =2V		45	210	ns
		V _{CC} =4.5V		17	42	
		V _{CC} =6V		13	36	

■ OPERATING CHARACTERISTICS (T_A=25°C)

PARAMETER	SYMBOL	TEST CONDITIONS	MIN	TYP	MAX	UNIT
Power Dissipation Capacitance	C _{PD}	No Load		35		pF

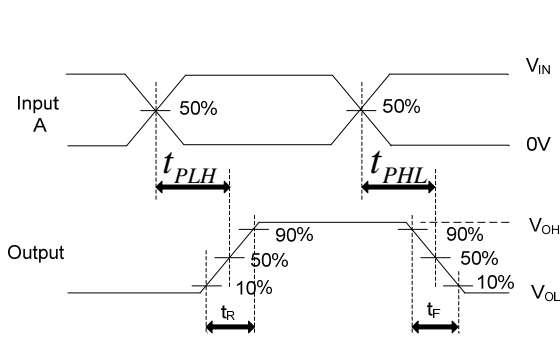
■ TEST CIRCUIT AND WAVEFORMS



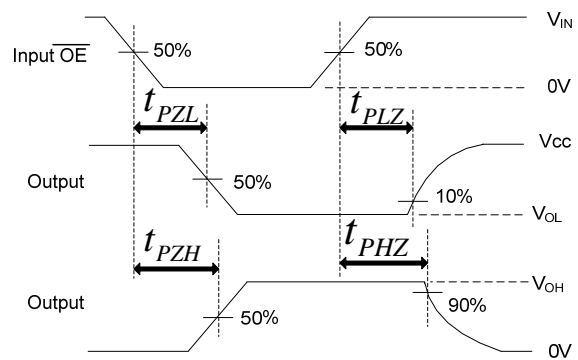
TEST CIRCUIT

TEST	S
t_{PLH}/t_{PHL}	Open
t_{PHZ}/t_{PZH}	GND
t_{PLZ}/t_{PZL}	V_{CC}

Parameter	RL	CL
t_{en}	1KΩ	50 pF or 150 pF
		50 pF
t_{dis}	1KΩ	50 pF
		50 pF or 150 pF
t_{PD} or t_t	—	50 pF or 150 pF



PROPAGATION DELAY TIMES



ENABLE AND DISABLE TIMES

Note: C_L includes probe and jig capacitance.

All input pulses are supplied by generators having the following characteristics: PRR \leq 1MHz, $Z_o = 50\Omega$, $t_r=6ns$, $t_f=6ns$.

UTC assumes no responsibility for equipment failures that result from using products at values that exceed, even momentarily, rated values (such as maximum ratings, operating condition ranges, or other parameters) listed in products specifications of any and all UTC products described or contained herein. UTC products are not designed for use in life support appliances, devices or systems where malfunction of these products can be reasonably expected to result in personal injury. Reproduction in whole or in part is prohibited without the prior written consent of the copyright owner. The information presented in this document does not form part of any quotation or contract, is believed to be accurate and reliable and may be changed without notice.