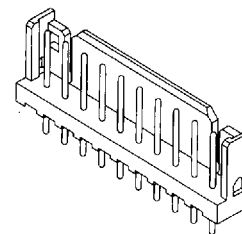
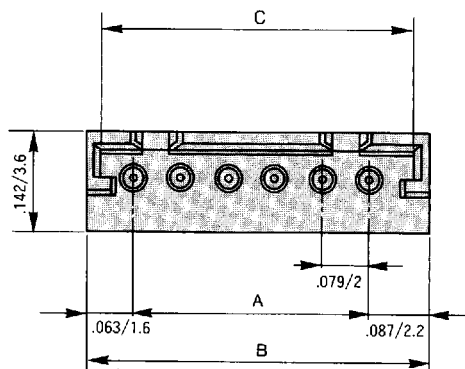


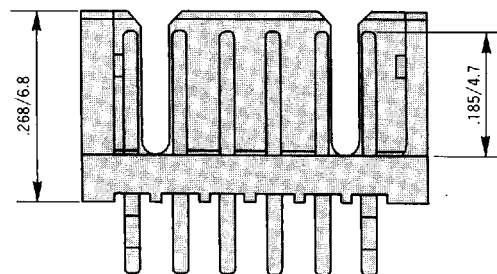
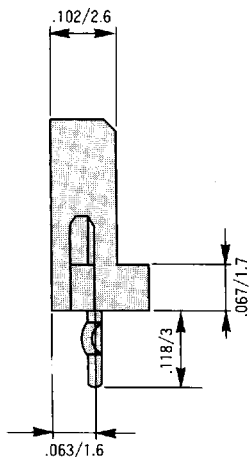
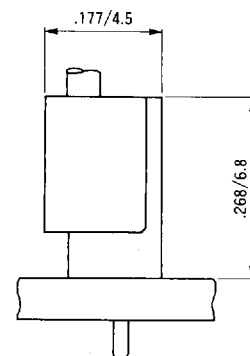
SERIES

8283

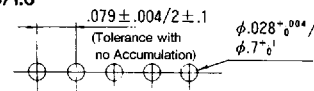
PLUG
STRAIGHT



Mating Condition



P.C. Board Through Hole Dimension
t = .047/1.2 ~ .063/1.6



ORDERING CODE

Typical Example

00 8283 02 12 00 000

Dimensions inches/mm

NUMBER OF CONTACTS

| No. of Pos. | A | B | C | No. of Tube Packaging(Units) |
|-------------|----------|------------|----------|------------------------------|
| 02 | .079/ 2 | .228/ 5.8 | .197/ 5 | 82 |
| 03 | .157/ 4 | .307/ 7.8 | .276/ 7 | 60 |
| 04 | .236/ 6 | .386/ 9.8 | .354/ 9 | 48 |
| 05 | .315/ 8 | .465/11.8 | .433/11 | 40 |
| 06 | .394/10 | .543/13.8 | .512/13 | 34 |
| 07 | .472/12 | .622/15.8 | .591/15 | 29 |
| 08 | .551/14 | .701/17.8 | .669/17 | 26 |
| 09 | .630/16 | .780/19.8 | .748/19 | 23 |
| 10 | .709/18 | .858/21.8 | .827/21 | 21 |
| 11 | .787/20 | .937/23.8 | .906/23 | 19 |
| 12 | .866/22 | 1.016/25.8 | .984/25 | 18 |
| 13 | .945/24 | 1.095/27.8 | 1.063/27 | 17 |
| 14 | 1.024/26 | 1.174/29.8 | 1.142/29 | 16 |
| 15 | 1.102/28 | 1.253/31.8 | 1.220/31 | 15 |

A = 2 × (No. of position - 1) / 0.07874 × (No. of position - 1)
 B = 2 × (No. of position - 1) + 3.8 / 0.07874 × (No. of position - 1) + .150
 C = 2 × (No. of position - 1) + 3 / 0.07874 × (No. of position - 1) + .118

PLUG ASSEMBLY

2: Straight

COLOR

000: Natural (White) 001: Black 002: Red 003: Yellow

Features

Series 8283

A high-density and low-profile tin-plated connector having the height above the board of .268"/6.8mm for straight mounting and of .193"/4.9mm for right angle mounting and .079"/2.0mm spacing. A mating of receptacle contact with male pins is of high reliability multi-contact structure preventing fretting corrosion. The contact precludes entanglement in crimping because it has the construction to absorb dispersion of cable conductor strip length (.118 to .150"/3 to 3.8mm) in harnessing.

Series 9073

A board-in type connector for inserting contacts directly into a board.

The connector includes both types of right angle mounting and straight mounting. The height above the board is .130"/3.3 mm for right angle mounting and .220"/5.6mm for straight mounting, hence a low-profile design. The connector features the use of the same insulator either for straight type or for right angle type.

Specifications

Series 8283

| | |
|---------------------------------|---|
| Number of Positions | 2 to 15 |
| Contact Spacing | .079"/2.0mm |
| Height on PC Board | .193"/4.9mm(Right Angle) .268"/6.8mm(Straight) |
| Wire-Size | AWG #24-#30 |
| Current Rating | 1A Maximum |
| Voltage Rating | 125V Maximum |
| Dielectric Withstanding Voltage | 1000 Vrms/min. at see level |
| Contact Material | Pre-tinned Phosphor Bronze |
| Post Material | Brass, Plating-Tin over Copper |
| Insulator Material | Nylon 66 UL 94V-0 |
| Insulator Color | Natural(White), Black, Red and Yellow |
| UL File No. | E67646 |

Series 9073

| | |
|---------------------------------|---|
| Number of Positions | 2 to 16 position |
| Contact Spacing | .079"/2.0mm |
| Height on PC Board | .220"/5.6mm(Straight) .130"/3.3mm(Right Angle) |
| Wire size | AWG#24~#30 |
| Current Rating | 1A Maximum |
| Voltage Rating | 125V Maximum |
| Dielectric Withstanding Voltage | 1000Vrms/min. |
| Contact Material | Brass, Plating-Tin over Copper |
| Insulator Material | Nylon 66 UL 94-0 |
| Insulator Color | Natural(White) |