



ALL RIGHTS RESERVED. NO PORTION OF THIS PUBLICATION, WHETHER IN WHOLE OR IN PART CAN BE REPRODUCED WITHOUT THE EXPRESS WRITTEN CONSENT OF SPC TECHNOLOGY.

SPC-F005.DWG

REVISIONS

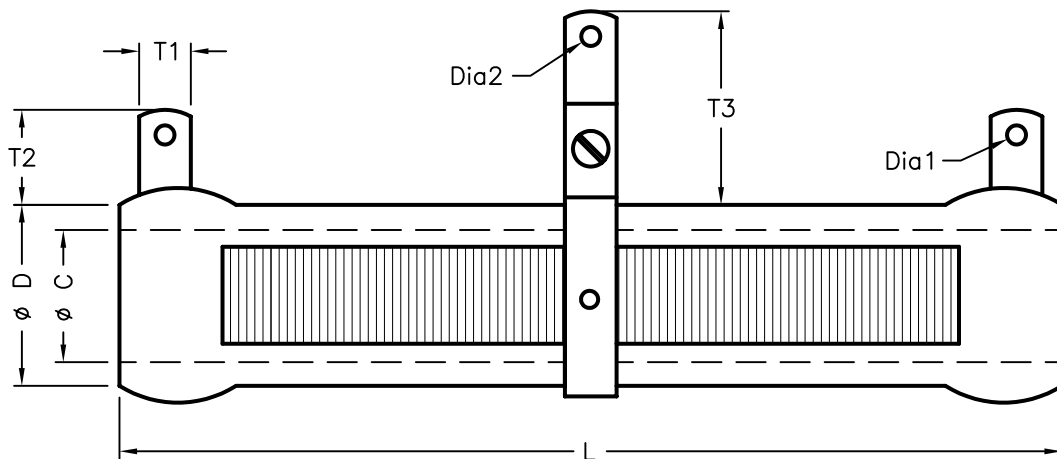
DOC. NO. SPC-F005 * Effective: 7/8/02 * DCP No: 1398

DCP #	REV	DESCRIPTION	DRAWN	DATE	CHECKD	DATE	APPRVD	DATE
1868	A	RELEASED	BYF	11/11/05	HO	11/15/05	JWM	11/17/05

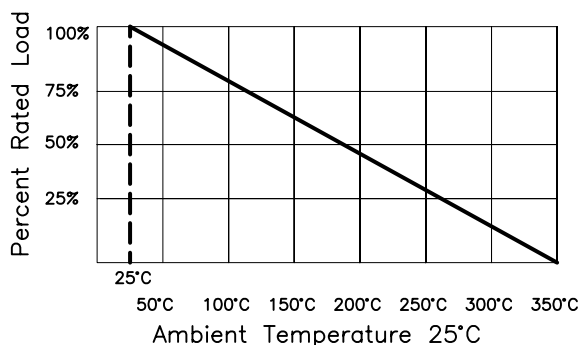


SPECIFICATIONS:

- Coating: Lead free vitreous enamel.
- Core: Tubular ceramic.
- Terminals: Solder coated radial lug.
- Adjustable Terminal: Nickel plated steel.
- Derating: Linearly from 100% @ +25°C to 0% @ +350°C.
- Power Rating: Based on 25°C free air rating. The stated wattage rating applies only when the entire resistance is in the circuit. Setting the lug at an intermediate point reduces the wattage rating by the approximate same proportion. Example: If the lug is set at half resistance, the wattage is reduced by approximately one-half.
- Overload: 10 times rated wattage for 5 seconds.
- Temperature Coefficient: ±260 ppm/°C
- Dielectric Withstanding Voltage:
(measured from terminal to mounting bracket)
100 Watt: 1000 VAC
225 Watt: 3000 VAC



Wattage Derating Chart



Multicomp Type No.	Resistance (Ω) ±10%	Wattage (W)	L	D	C	T1 ±0.031	T2 ±0.031	Dia 1	T3	Dia 2	Mounting Bracket Type No.
MC14636	10	100	6.500	0.750	0.500	0.250	0.563	0.166 ±0.015	0.874	0.141	MC14690
MC14638	25										
MC14639	50										
MC14635	100										
MC14637	250										
MC14642	1	225	10.500	1.125	0.750	0.375	0.625	0.173 +0.015 -0.005	0.797	0.170	MC14691
MC14647	5										
MC14641	10										
MC14644	25										
MC14646	50										
MC14640	100										
MC14643	250										
MC14645	500										

DISCLAIMER: ALL STATEMENTS AND TECHNICAL INFORMATION CONTAINED HEREIN ARE BASED UPON INFORMATION AND/OR TESTS WE BELIEVE TO BE ACCURATE AND RELIABLE. SINCE CONDITIONS OF USE ARE BEYOND OUR CONTROL, THE USER SHALL DETERMINE THE SUITABILITY OF THE PRODUCT FOR THE INTENDED USE AND ASSUME ALL RISK AND LIABILITY WHATSOEVER IN CONNECTION THEREWITH.

TOLERANCES:
UNLESS OTHERWISE SPECIFIED,
.XX ±0.125
.XXX ±0.062

DRAWN BY:	DATE:
BASAM YOUSIF	11/11/05
CHECKED BY:	DATE:
HISHAM ODISH	11/15/05
APPROVED BY:	DATE:
JEFF MCVICKER	11/17/05

DRAWING TITLE: RoHS Compliant Wirewound Resistors, Adjustable, Vitreous			
SIZE	DWG. NO.	ELECTRONIC FILE	REV
A	TA-663	TA-663.DWG	A
SCALE: NTS		U.O.M.: INCHES	SHEET: 1 OF 1