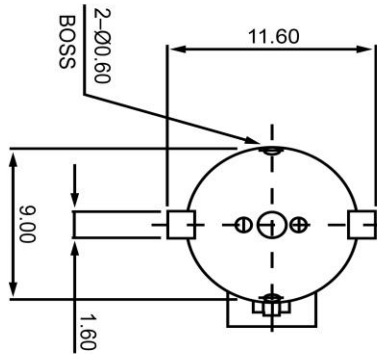
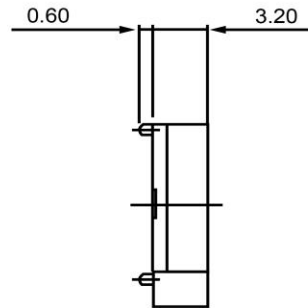


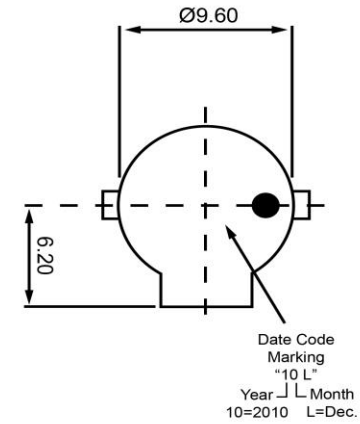
TOP VIEW




SIDE VIEW



BOTTOM VIEW



Specifications			Notes	Revision History																	
Description	Value	Unit		Version	Description	Date	Approved														
Technology	Electro-Mechanical		1) All dimensions are in mm unless otherwise noted 2) All parts meet RoHS 	1	Released from Engineering	10/21/2013	J.S.														
Resonant Frequency	2,670	(Hz)		2	Changed p/n from TE062603-1	8/19/2014	J.S.														
Rated Voltage	3.6	(V)																			
SPL @ 10cm	90	(dBA)																			
Coil Resistance	16	(ohm)																			
Mount Type	Surface Mount																				
Voltage Range	2 ~ 5	(V)																			
Max Rated Current	80	(mA)																			
Housing Material	LCP																				
Operating Temperature	-30 ~ +70	°C																			
Storage Temperature	-30 ~ +70	°C																			
Weight	0.5	(g)																			
				Electro-Mechanical Transducer		TE092603-1															
				<table border="1"> <thead> <tr> <th>Drawn by</th> <th>Date</th> <th>Checked by</th> <th>Date</th> <th>Approved by</th> <th>Date</th> </tr> </thead> <tbody> <tr> <td>A.B.</td> <td>10/21/2013</td> <td>C.E.</td> <td>10/21/2013</td> <td>J.S.</td> <td>10/21/2013</td> </tr> </tbody> </table>		Drawn by	Date	Checked by	Date	Approved by	Date	A.B.	10/21/2013	C.E.	10/21/2013	J.S.	10/21/2013				
Drawn by	Date	Checked by	Date	Approved by	Date																
A.B.	10/21/2013	C.E.	10/21/2013	J.S.	10/21/2013																