

Specifications

Insulation Resistance:	1,000MΩ min. at 500V DC
Withstanding Voltage:	500V ACrms for 1 minute
Contact Resistance:	100mΩ at 1mA / 20mV max.
Voltage Rating:	5V DC
Current Rating:	0.5A max.
Operating Temp. Range:	-30°C to +85°C
Mating Cycles:	100



Part Number (Details)

FPS 009 - 4200-0 (03)

Series No.

Number of Contacts

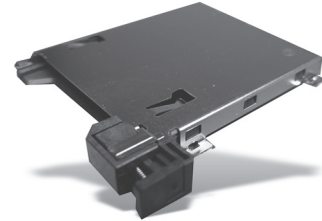
Design No.

Materials and Finish

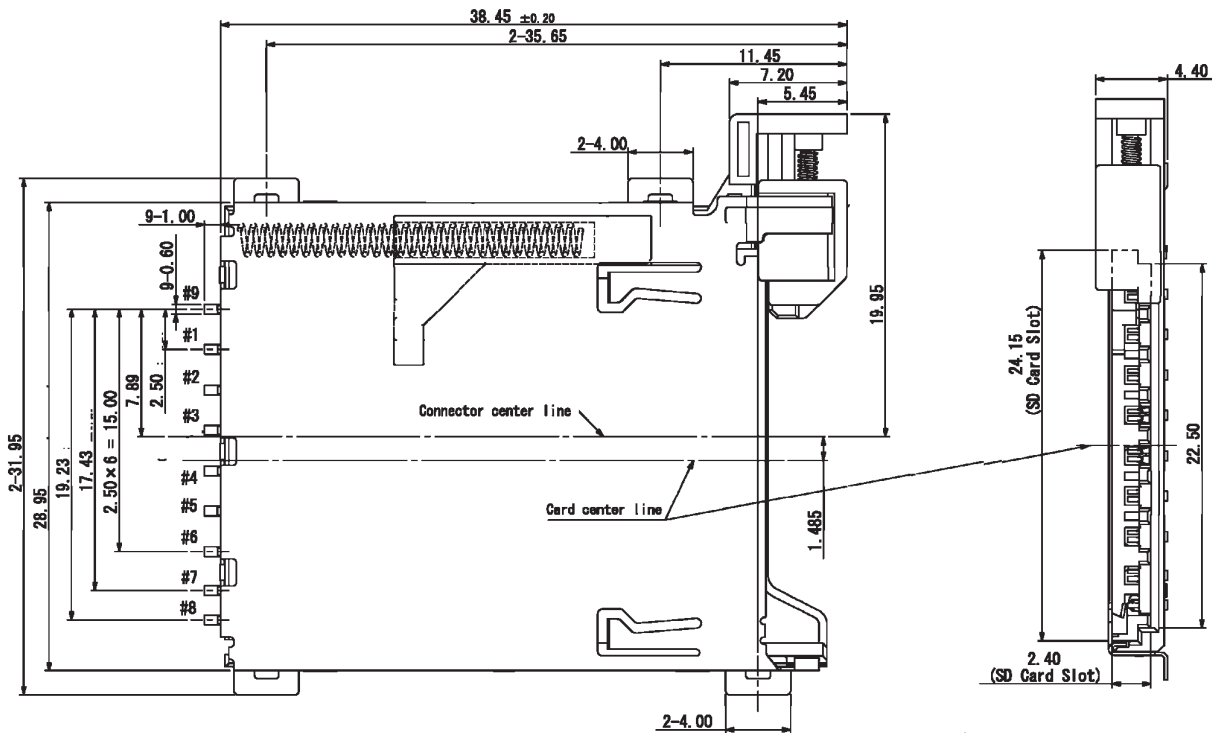
Insulator: LCP Black (UL94V-0)
Contacts: Copper Alloy with selective Gold

Features

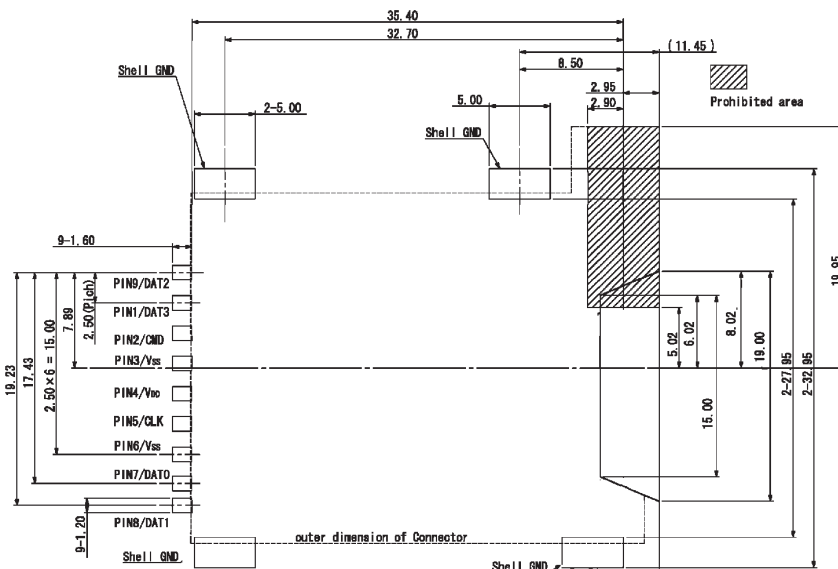
- 2-point contact installation on all contact-terminals to ensure die-electric discontinuity prevention which may be caused by vibration and impact
- Zero sliding contact @100G shock (X Y Z direction)
- Metal shell cover with 4 GNDs (Solder tabs) to ensure EMI/ESD prevention performance



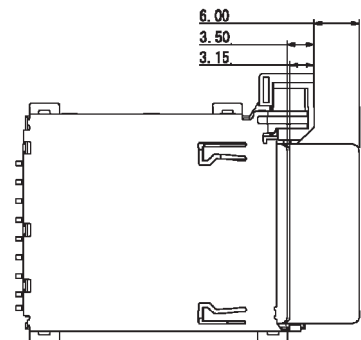
Outline Dimensions for FPS009-4200-0 (03)



Recommended PCB Layout FPS009-4200-0 (03)



Card Insertion Details



Mouser Electronics

Authorized Distributor

Click to View Pricing, Inventory, Delivery & Lifecycle Information:

[Yamaichi Electronics:](#)

[FPS009-4200-0](#)