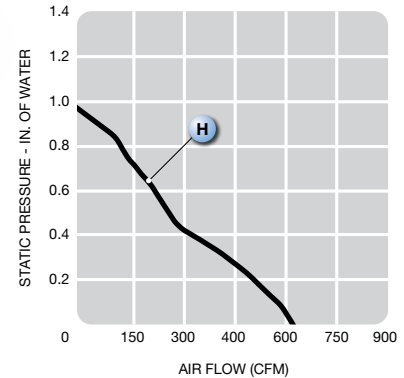
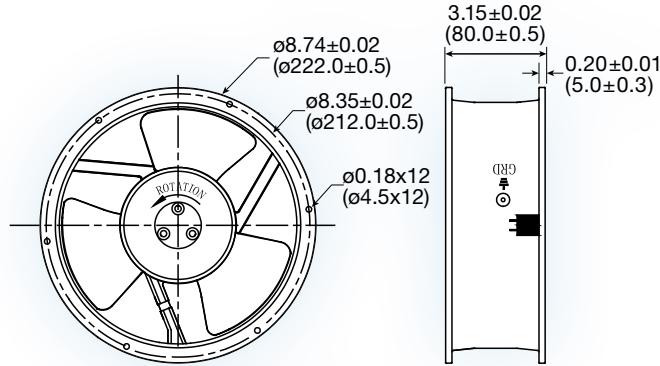
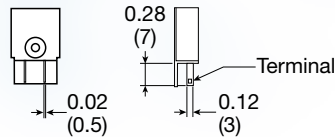


MM2280 series

**(222 dia. x 80 mm)**

8.74 dia. x 3.15 inches



Construction: magnesium alloy impeller & frame

Bearing option: ball bearing

Connection: terminal or AWG 18 lead wire

Frame: flanged

Protection: thermal

Options: tachometer output or locked rotor alarm signal

Model No.	Rated Voltage V	Current mA		Speed RPM	Air Volume		Max. Static Pressure (H ₂ O)		Sound Noise dbA	Weight kg
		24	48		M ³ /Min.	CFM	MM	INCH		
MM2280H	24/48	2500	1400	3,000	18	625	24.64	0.97	60	1.55