



DC Block on Inner Conductor 50 Ohm 2.92mm Male to 2.92mm Female Operating From 10 MHz to 40 GHz

TECHNICAL DATA SHEET

PE8225

DC Block on Inner Conductor 50 Ohm 2.92mm Male to 2.92mm Female Operating From 10 MHz to 40 GHz

Configuration

Design	Inner DC Block
Body Style	Straight
Impedance	50 Ohms
Connector 1	2.92mm Male
Connector 2	2.92mm Female

Electrical Specifications

Frequency Range, GHz	0.01 to 40
Impedance, Ohms	50
Maximum VSWR	1.45:1
Maximum Insertion Loss, dB	0.75
Maximum Operating Voltage, Vrms	200

Mechanical Specifications

Size

Length, in [mm]	0.855 [21.72]
Width/Dia., in [mm]	0.312 [7.92]

Connector 1

Type	2.92mm Male
Hex Size, Inch	5/16

Connector 2

Type	2.92mm Female
------	---------------

Compliance Certifications (visit www.Pasternack.com for current document)

RoHS Compliant	Yes
----------------	-----

Click the following link (or enter part number in "SEARCH" on website) to obtain additional part information including price, inventory and certifications: [DC Block on Inner Conductor 50 Ohm 2.92mm Male to 2.92mm Female Operating From 10 MHz to 40 GHz PE8225](#)

The information contained in this document is accurate to the best of our knowledge and representative of the part described herein. It may be necessary to make modifications to the part and/or the documentation of the part, in order to implement improvements. Pasternack reserves the right to make such changes as required. Unless otherwise stated, all specifications are nominal.





DC Block on Inner Conductor 50 Ohm 2.92mm Male to
2.92mm Female Operating From 10 MHz to 40 GHz

TECHNICAL DATA SHEET

PE8225

Plotted and Other Data

Notes:

Values at 25 °C, sea level

DC Block on Inner Conductor 50 Ohm 2.92mm Male to 2.92mm Female Operating From 10 MHz to 40 GHz from Pasternack Enterprises has same day shipment for domestic and International orders. Our RF, microwave and fiber optic products maintain a 99% availability and are part of the broadest selection in the industry.

Click the following link (or enter part number in "SEARCH" on website) to obtain additional part information including price, inventory and certifications: [DC Block on Inner Conductor 50 Ohm 2.92mm Male to 2.92mm Female Operating From 10 MHz to 40 GHz PE8225](http://www.pasternack.com/50-ohm-2.92mm-inner-dc-block-0.1-40-ghz-pe8225-p.aspx)

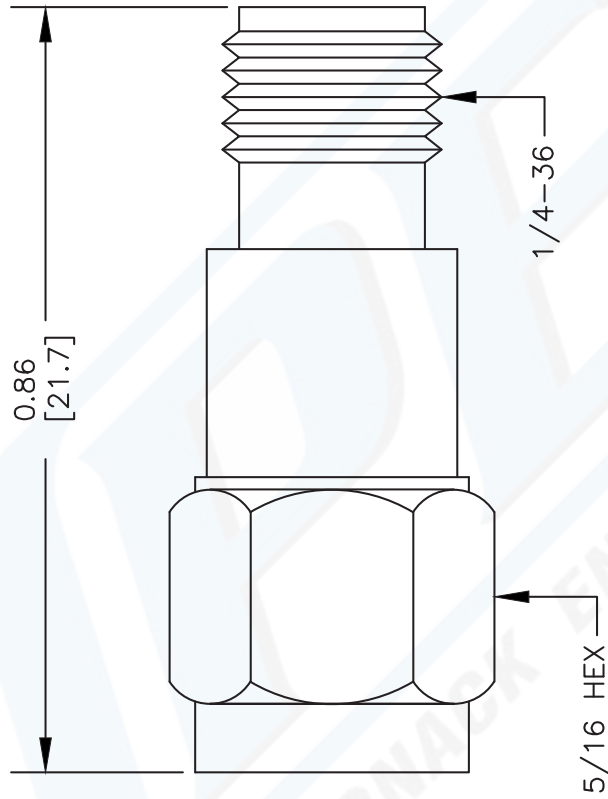
URL: <http://www.pasternack.com/50-ohm-2.92mm-inner-dc-block-0.1-40-ghz-pe8225-p.aspx>

The information contained in this document is accurate to the best of our knowledge and representative of the part described herein. It may be necessary to make modifications to the part and/or the documentation of the part, in order to implement improvements. Pasternack reserves the right to make such changes as required. Unless otherwise stated, all specifications are nominal.



PE8225 CAD Drawing

DC Block on Inner Conductor 50 Ohm 2.92mm Male to 2.92mm
Female Operating From 10 MHz to 40 GHz



NOTES:
1. UNLESS OTHERWISE SPECIFIED ALL DIMENSIONS ARE NOMINAL.
2. ALL SPECIFICATIONS ARE SUBJECT TO CHANGE WITHOUT NOTICE AT ANY TIME.
3. DIMENSIONS ARE IN INCHES [mm].

DWG TITLE

PE8225

FSCM NO. 53919

XXXX

SIZE A

SCALE N/A

CAD FILE 112910-A

PE PASTERNAK®

Pasternack Enterprises, Inc.
P.O. Box 16759 | Irvine | CA | 92623
Phone: (949) 261-1920 | Fax: (949) 261-7451
Website: www.pasternack.com | E-Mail: sales@pasternack.com