

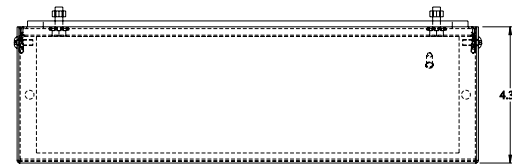
PART No. RH60000LG

for more information visit

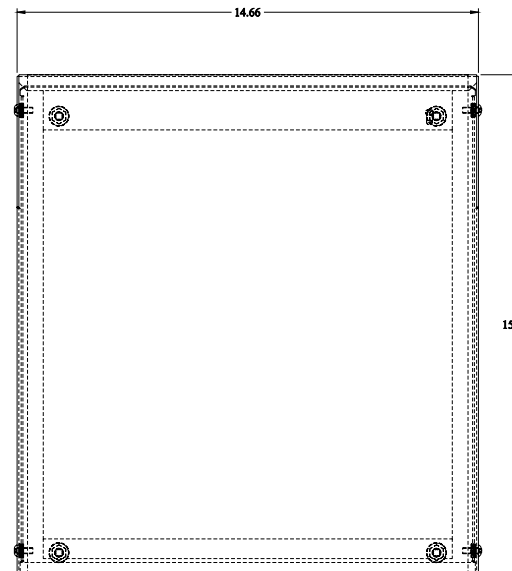
www.hammfg.com

Data subject to change without notice

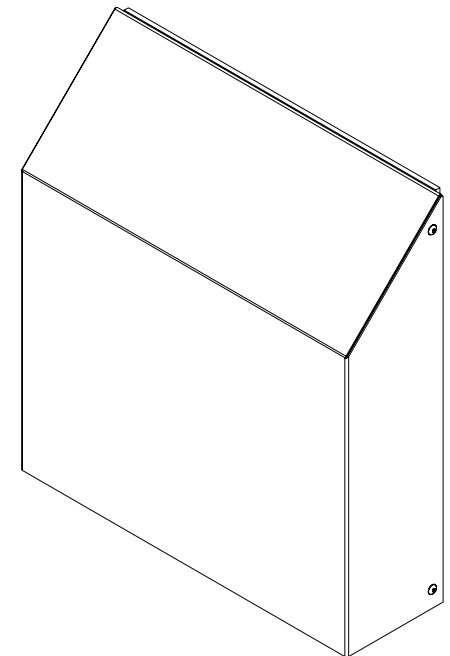
Isometric drawing Not to Scale



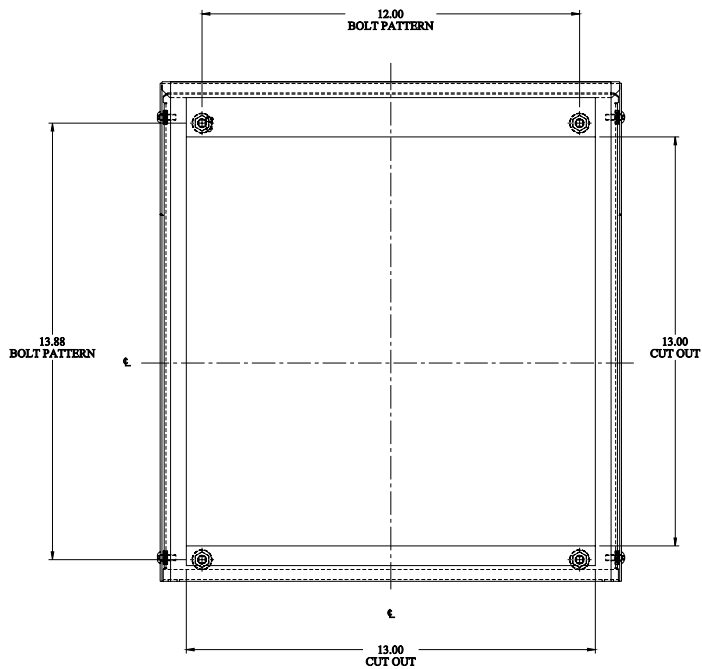
TOP VIEW



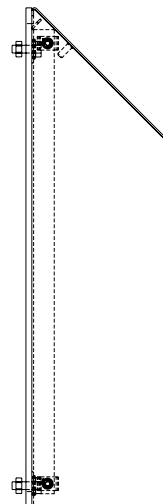
FRONT VIEW



ISOMETRIC VIEW



BACK VIEW



SIDE VIEW