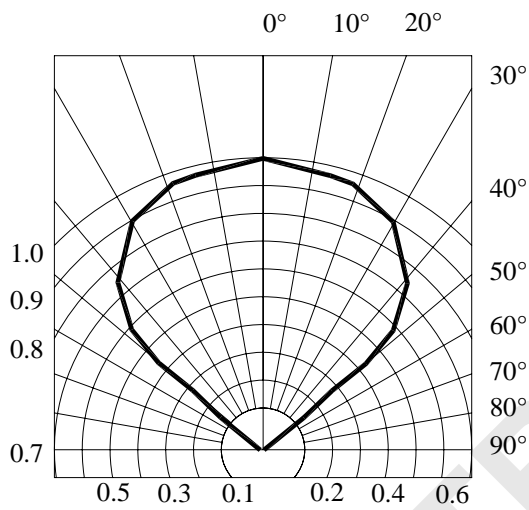


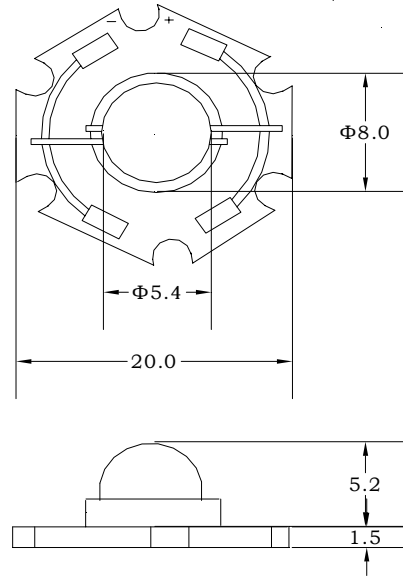
PARTNO.:WEJP01GC-WV61
1W Green Power LED

Page:1/2

Spatial Distribution



Pack Dimensions(mm)



Part NO.	LED chip		Lens Color
	Material	Emitting Color	
WEJP01GC-WV61	InGaN/Sapphire	Green	Water clear

Absolute Maximum Ratings(Ta=25°C)

Parameter	Symbol	Rating	Unit
Power Dissipation	PD	1	W
Forward Current (DC)	IF	350	mA
Peak Forward Current(Pulse width ≤0.1msec duty ≤1/10)	IFP	1000	mA
Reverse Voltage	VR	8.0	V
Electro-Static-Discharge	ESD	200	V
Operation Temperature Range	Topr	-20to+60	°C
Storage Temperature Range	Tstg	-30to+80	°C
Lead Soldering Temperature(4mm from body) for 3 seconds		260	°C

Typical Electrical and Optical Characteristics(Ta=25°C)

Parameter	Symbol	Condition	Min.	Typ.	Max.	Unit
Luminous Intensity	Iv	If=350mA	15	25		LM
Forward Voltage	Vf	If=350mA		3.2	3.8	v
Peak wavelength	λ P	If=350mA	522	525		nm
Reverse Current	IR	Vr=5v			50	uA
Viewing Angle	2 θ 1/2	If=350mA	70	90	120	deg
Spectrum Line Half width	Δ λ	If=350mA				nm