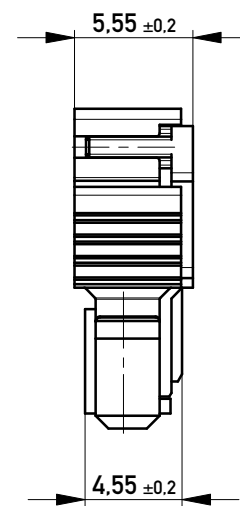
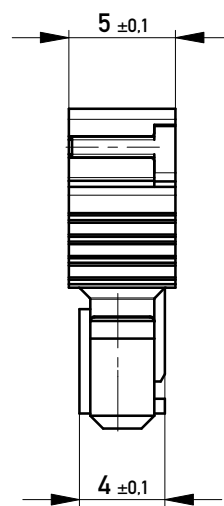


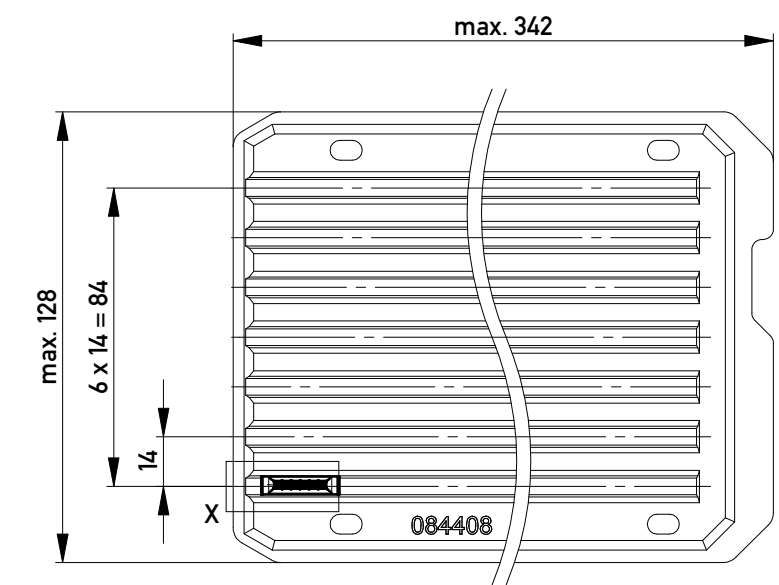
Abdeckung vorverrastet  
cover loose mounted



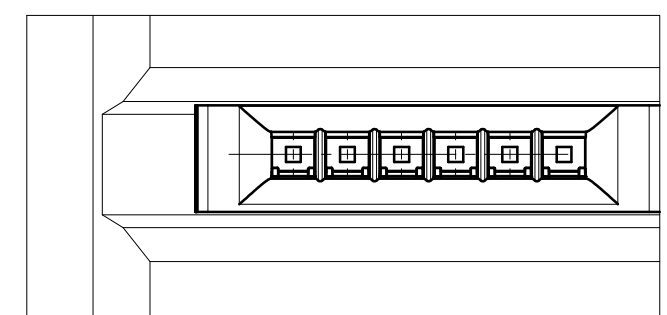
Abdeckung verpresst  
cover pressed on



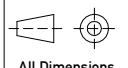

Verpackt in Tray - tray packaging  
Verpackungseinheit 98 Stück - packaging unit 98



Einzelheit X  
detail X



Copyright by ERNI GmbH  
Proprietary notice pursuant to ISO 16016 to be observed.

Information: Codierung, grün - coding, green		Tolerances  All Dimensions in mm	Scale 3:1
All rights reserved. Only for Information. To ensure that this is the latest version of this drawing, please contact one of the ERNI companies before using.		Subject to modification without prior notice. Drawing will not be updated.	Designation F 2,54 SRC-A, 6-polig
b	25.02.2014	 www.ERNI.com	101502070001
Index	Date		K A3
			Class SRCBUG