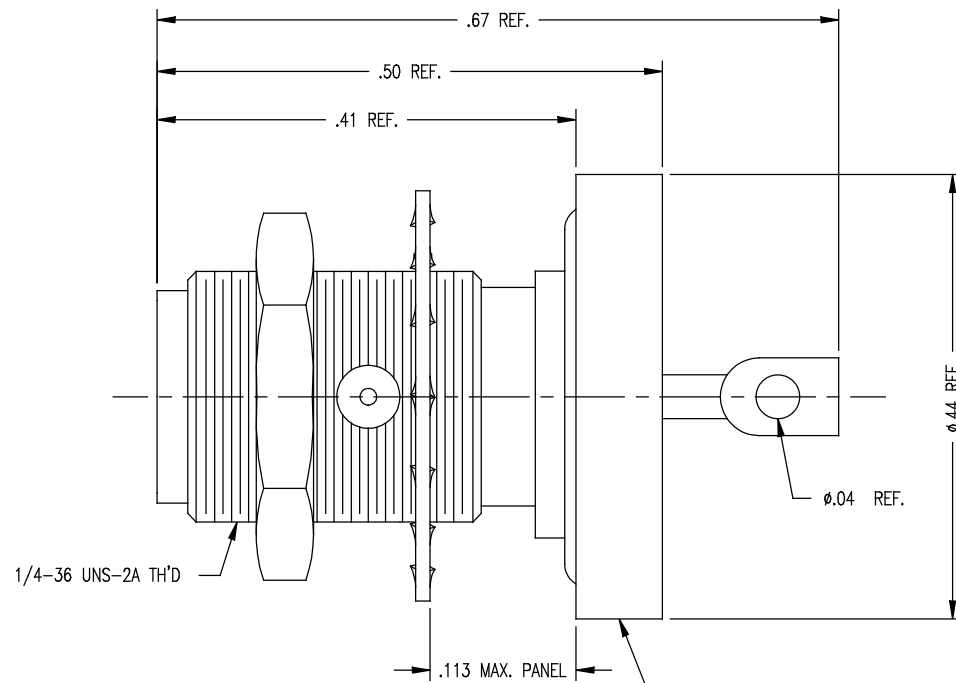


DASH NO.	M CODE	MADE FROM
----------	--------	-----------

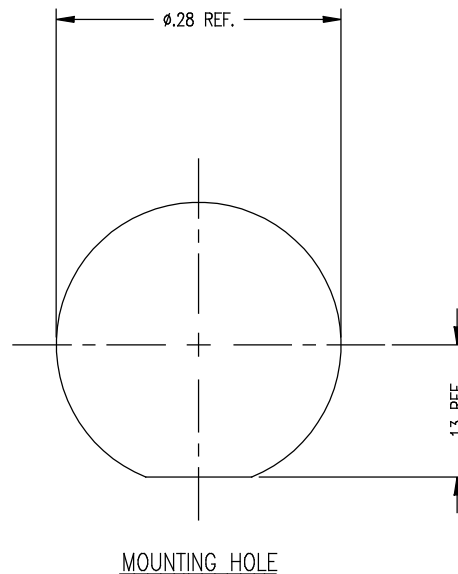


STAMP: 91836 M39012/62-4001

NOTES:

1. INTERFACE PER MIL-STD-348, FIG. 310-2.
2. MARK PACKAGE: KINGS 874-3 YRWK (DATE CODE)
3. MATERIALS:
 INSULATOR: TEFLON, ASTM-D-4894
 O-RING: SIL. RUB., A-A-59588
 CENTER CONTACT: BER. COP., ASTM-B-196
 LOCKWASHER: PHOS. BRONZE, ASTM-B-103
 ALL OTHER METAL PARTS: BRASS, ASTM-B-16
4. FINISHES:
 ALL METAL PARTS: HARD GOLD PLATE PER ASTM-B-488
5. ELECTRICAL CHARACTERISTICS:
 NOMINAL IMPEDANCE: 50 OHMS
 VOLTAGE RATING: 500 VRMS
 FREQUENCY RANGE: DC TO 12.4 GHz
6. LEAKAGE RATE SHALL NOT EXCEED 10^{-7} CC/SEC OF TRACER GAS AT ATMOSPHERIC PRESSURE.

GSD



MOUNTING HOLE

M39012/62-4001

ISSUE		CHANGES	
6	CN LNM	32323 A 06/25/90	
7	CN KH	36056 C 01/31/95	
8	CN HVN	39977 E 07/20/07	

SCALE	8:1		
APPROX SURFACE AREA	874-3		
USED ON			
REF:	RECEPTACLE, BULKHEAD, HERMETIC SEAL, REAR MOUNT, SMA		
DRAWN	JCA	DATE	03/11/92
DESIGN	MJB	DATE	03/11/92
APPR.		DATE	

KINGS
A Winchester Electronics Company

M39012/62-4001

GSD