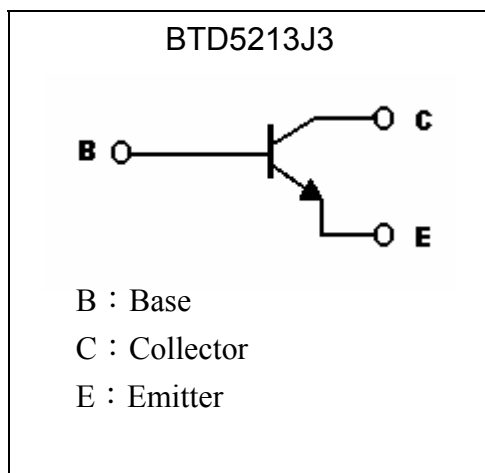
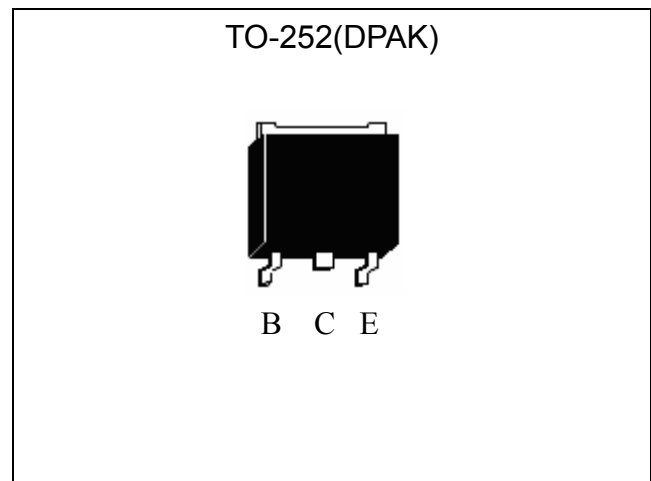


General Purpose NPN Epitaxial Planar Transistor

BTD5213J3

Features

- Low collector saturation voltage
- High breakdown voltage, $V_{CE0}=80V$ (min.)
- High collector current, $I_{C(max)}=1A$ (DC)
- Pb-free lead plating package

Symbol

Outline

Absolute Maximum Ratings ($T_a=25^{\circ}C$)

Parameter	Symbol	Limits	Unit
Collector-Base Voltage	V_{CB0}	100	V
Collector-Emitter Voltage	V_{CE0}	80	V
Emitter-Base Voltage	V_{EB0}	5	V
Collector Current (DC)	I_C	1	A
Collector Current (Pulse)	I_{CP}	2 (Note)	A
Power Dissipation @ $T_A=25^{\circ}C$	P_D	1	W
Power Dissipation @ $T_C=25^{\circ}C$		10	W
Operating Junction and Storage Temperature Range	$T_j ; T_{stg}$	-55~+150	$^{\circ}C$

 Note : Pulse test, $P_w \leq 10ms$, Duty $\leq 50\%$.

**Thermal Data**

Parameter	Symbol	Value	Unit
Thermal Resistance, Junction-to-case, max	$R_{th,j-c}$	12.5	°C/W
Thermal Resistance, Junction-to-ambient, max	$R_{th,j-a}$	125	°C/W

Characteristics (Ta=25°C)

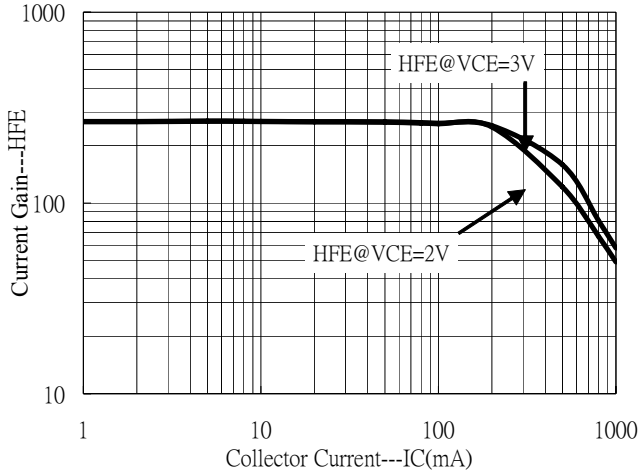
Symbol	Min.	Typ.	Max.	Unit	Test Conditions
BV_{CBO}	100	-	-	V	$I_C=50\mu A$
BV_{CEO}	80	-	-	V	$I_C=1mA$
BV_{EBO}	5	-	-	V	$I_E=50\mu A$
I_{CBO}	-	-	1	μA	$V_{CB}=80V, I_E=0$
I_{EBO}	-	-	1	μA	$V_{EB}=4V, I_C=0$
$*V_{CE(SAT)}$	-	0.15	0.4	V	$I_C=500mA, I_B=20mA$
$*h_{FE}$	160	-	400	-	$V_{CE}=5V, I_C=100mA$
f_T	-	100	-	MHz	$V_{CE}=10V, I_C=50mA, f=100MHz$
C_{ob}	-	20	-	pF	$V_{CB}=10V, I_E=0A, f=1MHz$

*Pulse Test: Pulse Width $\leq 380\mu s$, Duty Cycle $\leq 2\%$ **Ordering Information**

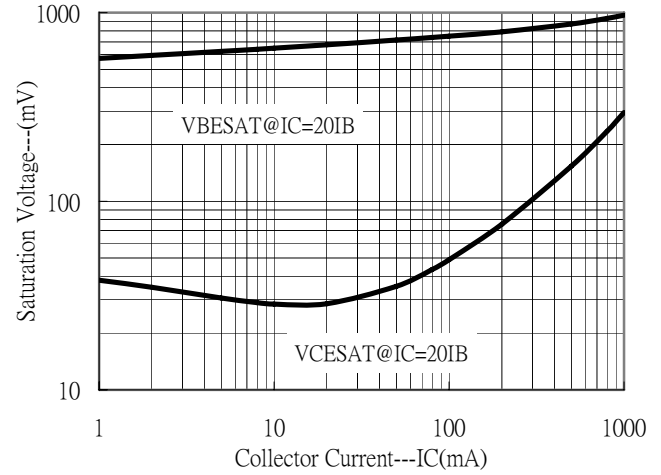
Device	Package	Shipping
BTD5213J3-0-T3-G	TO-252 (Pb-free lead plating and halogen-free package)	2500 pcs / Tape & Reel

Typical Characteristics

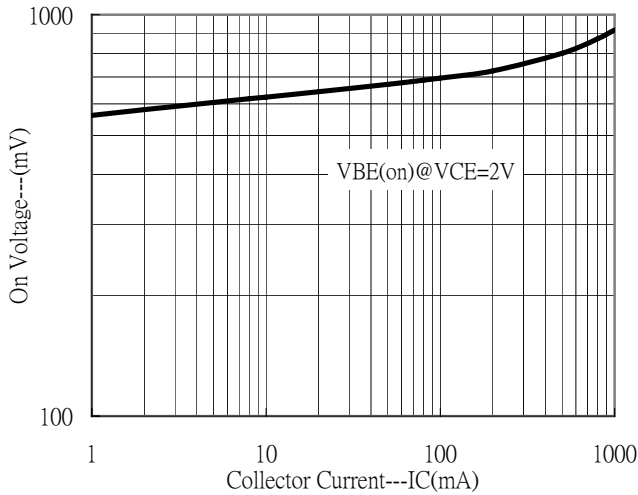
Current Gain vs Collector Current



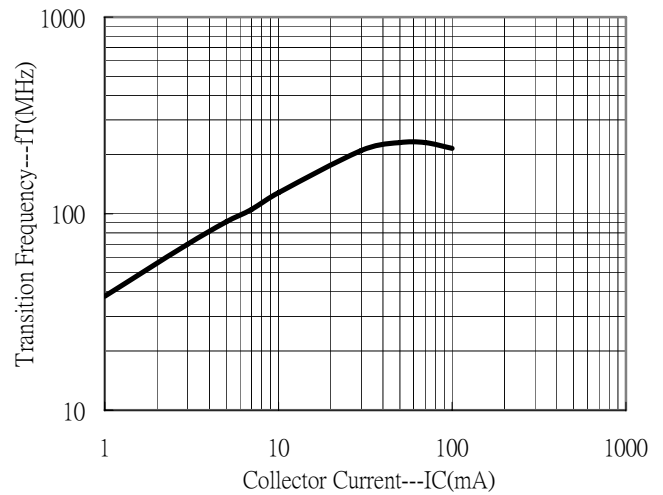
Saturation Voltage vs Collector Current



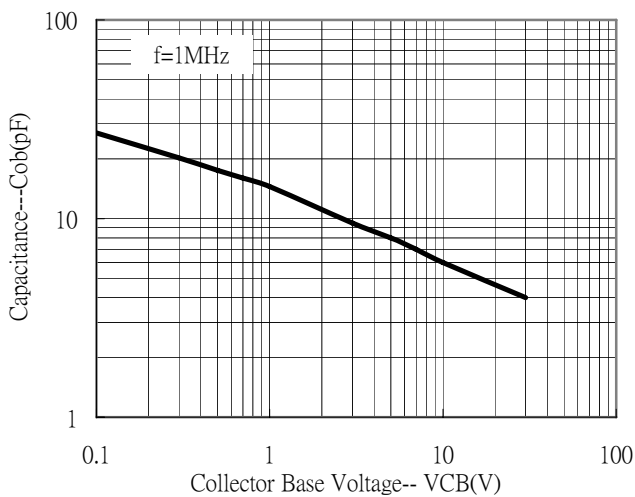
On Voltage vs Collector Current



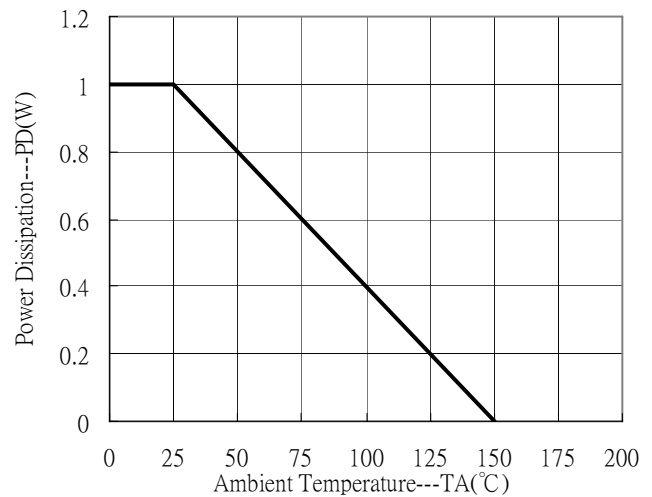
Transition Frequency vs Collector Current



Capacitance Characteristics



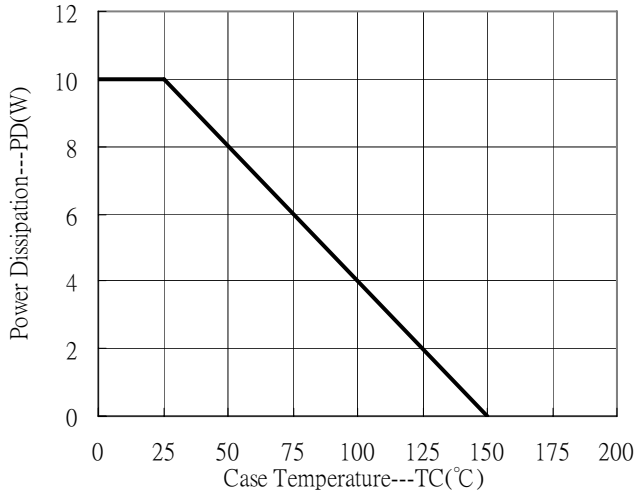
Power Derating Curve



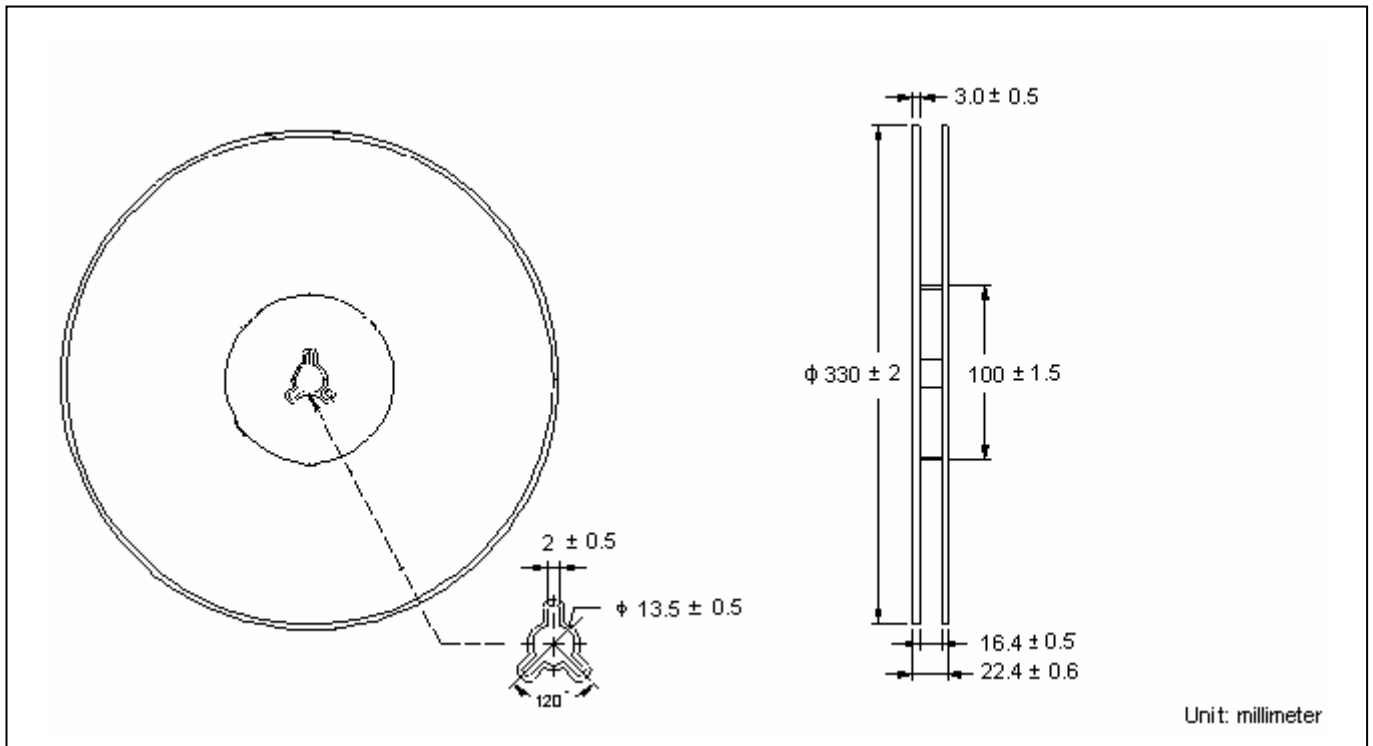


Typical Characteristics(Cont.)

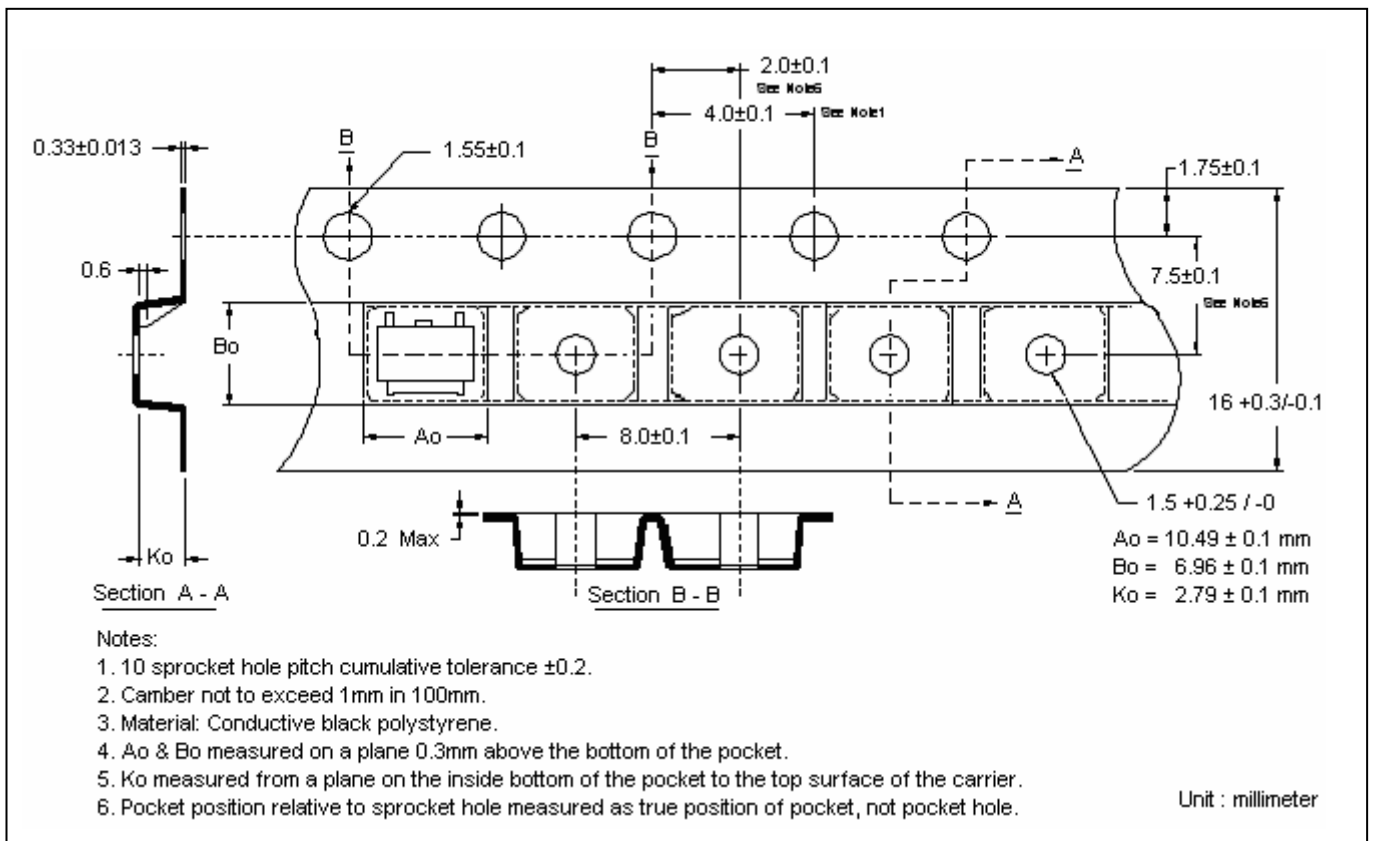
Power Derating Curve



Reel Dimension



Carrier Tape Dimension



Recommended wave soldering condition

Product	Peak Temperature	Soldering Time
Pb-free devices	260 +0/-5 °C	5 +1/-1 seconds

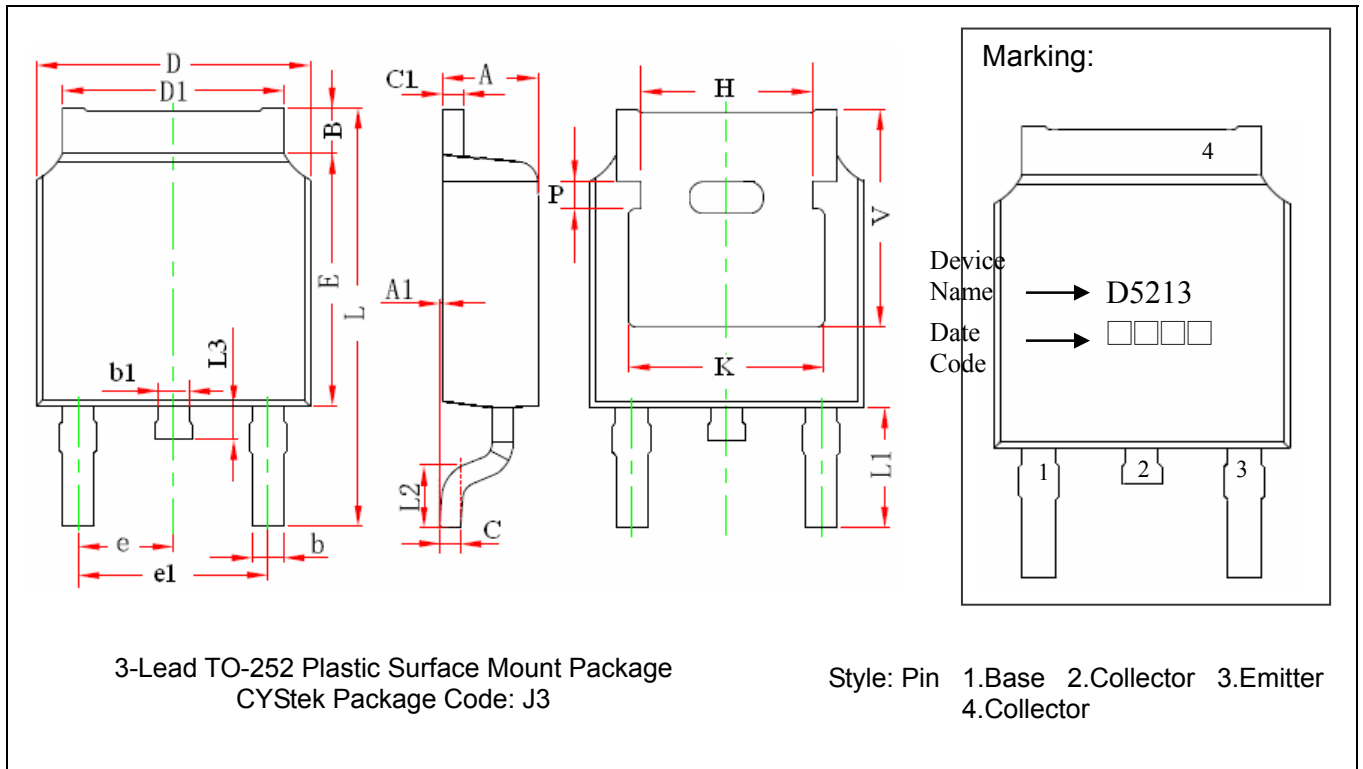
Recommended temperature profile for IR reflow



Profile feature	Sn-Pb eutectic Assembly	Pb-free Assembly
Average ramp-up rate (T _{smax} to T _p)	3°C/second max.	3°C/second max.
Preheat		
-Temperature Min(T _{s min})	100°C	150°C
-Temperature Max(T _{s max})	150°C	200°C
-Time(t _{s min} to t _{s max})	60-120 seconds	60-180 seconds
Time maintained above:		
-Temperature (T _L)	183°C	217°C
- Time (t _L)	60-150 seconds	60-150 seconds
Peak Temperature(T _p)	240 +0/-5 °C	260 +0/-5 °C
Time within 5°C of actual peak temperature(tp)	10-30 seconds	20-40 seconds
Ramp down rate	6°C/second max.	6°C/second max.
Time 25 °C to peak temperature	6 minutes max.	8 minutes max.

Note : All temperatures refer to topside of the package, measured on the package body surface.

TO-252 Dimension



DIM	Inches		Millimeters		DIM	Inches		Millimeters	
	Min.	Max.	Min.	Max.		Min.	Max.	Min.	Max.
A	0.087	0.094	2.200	2.400	e	0.086	0.094	2.186	2.386
A1	0.000	0.005	0.000	0.127	e1	0.172	0.188	4.372	4.772
B	0.039	0.048	0.990	1.210	H	0.163	REF	4.140	REF
b	0.026	0.034	0.660	0.860	K	0.190	REF	4.830	REF
b1	0.026	0.034	0.660	0.860	L	0.386	0.409	9.800	10.400
C	0.018	0.023	0.460	0.580	L1	0.114	REF	2.900	REF
C1	0.018	0.023	0.460	0.580	L2	0.055	0.067	1.400	1.700
D	0.256	0.264	6.500	6.700	L3	0.024	0.039	0.600	1.000
D1	0.201	0.215	5.100	5.460	P	0.026	REF	0.650	REF
E	0.236	0.244	6.000	6.200	V	0.211	REF	5.350	REF

Notes: 1.Controlling dimension: millimeters.
 2.Maximum lead thickness includes lead finish thickness, and minimum lead thickness is the minimum thickness of base material.
 3.If there is any question with packing specification or packing method, please contact your local CYStek sales office.

Material:

- Lead : Pure tin plated.
- Mold Compound: Epoxy resin family, flammability solid burning class: UL94V-0.

Important Notice:

- All rights are reserved. Reproduction in whole or in part is prohibited without the prior written approval of CYStek.
- CYStek reserves the right to make changes to its products without notice.
- CYStek **semiconductor products are not warranted to be suitable for use in Life-Support Applications, or systems.**
- CYStek assumes no liability for any consequence of customer product design, infringement of patents, or application assistance.