

E4 - SERIES

SPECIFICATIONS AND ORDERING INFORMATION

2 13/16" DIAMETER 11.0 AMPS @ 28 VDC

The E4 Series was designed to offer maximum power ratings in an electronic open frame switch. Standard construction consists of a 20° index, 2-17 positions, and solder lug terminals.



SPECIFICATIONS

ELECTRICAL

Current and Voltage Rating: Make and break resistive load 11.0 amps @ 28 VDC; 9.0 amps @ 115 VAC.
Current Carrying Capacity: 17 amps.
Dielectric Strength: 3000 VAC between current carrying parts and ground.
Contact Resistance: Average initial 7.0 milliohms.
Insulation Resistance: In excess of 1,000,000 megohms.

Hardware: Mounting nut and lockwasher are shipped assembled.

MECHANICAL

Materials and Finishes: All parts utilize non-corrosive materials as standard.
Contacts and Collector Rings: Coin silver as standard.
Insulation: Ceramic.
Index: Dual-ball, hill and valley design.
Index Life: 25,000 cycles minimum.
Index Torque: Switches have lowest practical torque consistent with crisp detenting and smooth, reliable operation.
Index Angles: Positive 20° standard.
Index Stops: Adjustable stops standard, fixed or continuous.
Stop Strength: 25 in. lbs. minimum.

STANDARD PART NUMBER

20° INDEXING

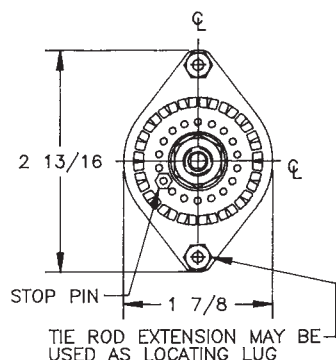
SWITCHES ADJUSTABLE STOPS - SOLDER LUG TERMINALS - STOPS SET @ 2 POS.

POLES	ACTIVE POSITIONS	POLES/ SECTION	NO. OF SECTIONS	SHORTING	NON-SHORTING	FIG. *	POLES	ACTIVE POSITIONS	POLES/ SECTION	NO. OF SECTIONS	SHORTING	NON-SHORTING	FIG. *
01	02-17	1	1	E4C0117S	E4C0117N	EA	06	02-17	1	6	E4C0617S	E4C0617N	EA
02	02-17	1	2	E4C0217S	E4C0217N	EA	06	02-08	2	3	E4C0608S	E4C0608N	EB
02	02-08	2	1	E4C0208S	E4C0208N	EB	06	02-05	3	2	E4C0605S	E4C0605N	EC
03	02-17	1	3	E4C0317S	E4C0317N	EA	08	02-08	2	4	E4C0808S	E4C0808N	EB
03	02-05	3	1	E4C0305S	E4C0305N	EC	09	02-05	3	3	E4C0905S	E4C0905N	EC
04	02-17	1	4	E4C0417S	E4C0417N	EA	10	02-08	2	5	E4C1008S	E4C1008N	EB
04	02-08	2	2	E4C0408S	E4C0408N	EB	12	02-05	3	4	E4C1205S	E4C1205N	EC
05	02-17	1	5	E4C0517S	E4C0517N	EA	15	02-05	3	5	E4C1505S	E4C1505N	EC

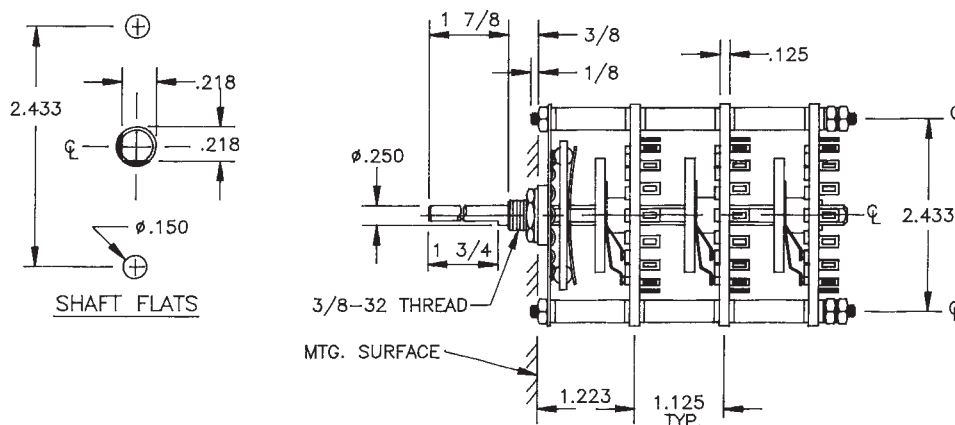
* FIGURES ARE SHOWN ON PAGE 57.

DIMENSIONS

STANDARD CONSTRUCTION



E4C - CERAMIC CONSTRUCTION



How to Order Additional Options:

2 DIGIT SERIES	INSULATION TYPE	TOTAL POLES	ACTIVE POSITIONS	CONTACT TYPE	STOP TYPE		
E4	C - CERAMIC	01 - MIN.	17 - MAX @ 20°	S - SHORTING N - NON SHORTING	A - ADJ. F - FIXED C - CONT.	SEE CHART "A"	SEE CHART "B"
CUSTOMERS SPECIFIED ORDER NUMBER FOR STANDARD OPTIONS					ADDITIONAL OPTIONS		
E	4	C	<input type="text"/>	<input type="text"/>	<input type="text"/>	<input type="text"/>	<input type="text"/>
			(SPECIFY)	(SPECIFY)	(SPECIFY)	(SPECIFY)	(SPECIFY)

SHAFT, BUSHING, AND FLAT OPTIONS

P/N OPT.	SHAFT LGTH. "A"	FLAT LGTH. "B"	BUSH. LGTH. "C"
01	3/8	1/4	1/4
02	3/8	1/4	3/8
03	1/2	11/32	1/4
04	1/2	11/32	3/8
05	3/4	15/32	1/4
06	3/4	15/32	3/8
07	1	19/32	1/4
08	1	19/32	3/8
09	1 1/2	5/8	1/4
10	1 1/2	5/8	3/8
11	1 7/8	5/8	1/4
12	1 7/8	5/8	3/8

P/N OPT.	FLAT ANGLE
B	ROUND
U	10°
W	170°
T	180°
Y	190°
Z	350°

- STD.

SHAFT AS VIEWED IN EXTREME CCW POSITION AND STRUT BOLTS ORIENTED VERTICALLY.

E

CUSTOM SWITCHES ARE AVAILABLE. CONTACT THE FACTORY WITH YOUR COMPLETE SPECIFICATIONS.

Mouser Electronics

Authorized Distributor

Click to View Pricing, Inventory, Delivery & Lifecycle Information:

Electroswitch:

[E4C0217N](#) [E4C0305N](#) [E4C0605N](#) [E4C0208N](#) [E4C0117N](#) [E4C1505S](#) [E4C1505N](#) [E4C0317N](#) [E4C0417N](#)
[E4C0117S](#) [E4C0608N](#) [E4C0517N](#)