

SOT-25



Pin Definition:

1. Input
2. Ground
3. Enable
4. Bypass
5. Output

General Description

The TS9001 series is a positive voltage linear regulator developed utilizing CMOS technology featured low quiescent current (30uA typ.) ,low dropout voltage, and high output voltage accuracy, making them ideal for battery applications. The Chip Enable (CE) includes a CMOS or TTL compatible input allows the output to be turned off to prolong battery life. The TS9001 series is included a precision voltage reference, error correction circuit, a current limited output driver, over temperature shutdown, and a reference bypass pin to improve its already excellent low-noise performance.

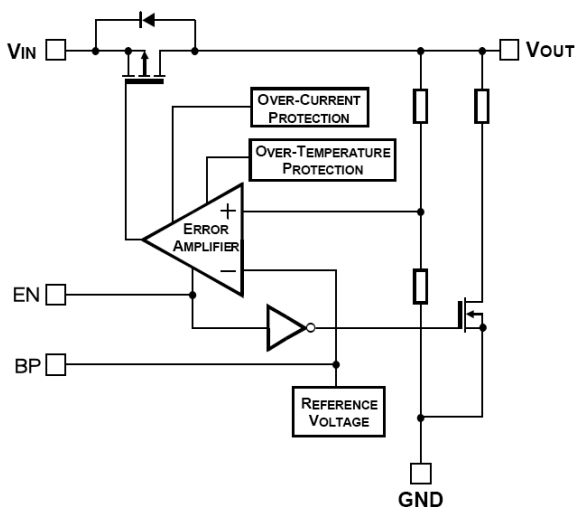
Features

- Dropout voltage typically 0.4V@ Io=300mA (Vo>2.5V)
- Output current up to 300mA
- Low power consumption
- Output voltage $\pm 2\%$
- Internal current limit and thermal shutdown
- Thermal shutdown protection

Applications

- Palmtops
- Video recorders
- Battery powered equipment
- PC peripherals
- High-efficiency linear power supplies
- Digital signal camera

Block Diagram

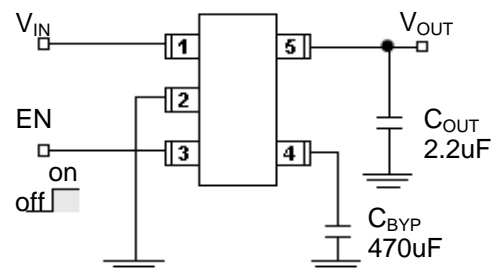


Ordering Information

Part No.	Package	Packing
TS9001 _x CX5 RF	SOT-25	3Kpcs / 7" Reel

Note: Where **x** denotes voltage option, available are
K=2.5V, **S**=3.3V

Typical Application Circuit



EN (Pin 3) may be connected directly to VIN (Pin1)
 Low noise operation: $C_{BYP}=470\mu F$, $C_{OUT}>2.2\mu F$
 Basic operation: C_{BYP} =not used, $C_{OUT}>1\mu F$

Absolute Maximum Rating

Parameter	Symbol	Limit	Unit
Input Supply Voltage	V _{in}	+7	V
Enable Input Voltage	V _{ce}	Gnd-0.3 ~ V _{in} +0.3	V
Output Current	I _o	P _d / (V _{in} - V _{out})	
Power Dissipation	P _D	380	mW
Thermal Resistance	θ _{ja}	260	°C/W
Operating Junction Temperature Range	T _j	-40 ~ +150	°C
Storage Temperature Range	T _{STG}	-65 ~ +150	°C
Lead Soldering Temperature (260°C)		5	S

Notes: Stress above the listed absolute rating may cause permanent damage to the device.

Electrical Characteristics (T_a = 25 °C, I_o=1mA, C_{out}=2.2uF, V_{ce}≥2V, unless otherwise noted)

Parameter	Conditions	Min	Typ	Max	Unit	
Output Voltage	V _{in} =V _o + 1V	0.985 V _o		1.015 V _o	V	
Output Voltage Temperature Coefficient		--	50	--	ppm/°C	
Maximum Output Current	V _{in} =V _o +1V,	300	--	--	mA	
Line Regulation	V _o +1V ≤ V _{in} ≤ 7V	--	--	0.3	%/V	
Load Regulation	V _{in} =V _o +1V, 1mA ≤ I _L ≤ 300mA	V _{out} ≥ 2.5V	--	0.2	1.0	%V
	V _{in} =V _o +1V, 1mA ≤ I _L ≤ 200mA	V _{out} < 2.5V	--	0.2	1.0	
Dropout Voltage	I _o =300mA, V _{out} =V _o - 2%	V _{out} ≥ 2.5V	--	300	--	mV
	I _o =200mA, V _{out} =V _o - 2%	V _{out} < 2.5V	--	800	1000	
Quiescent Current	V _{in} ≤ 0.4V (shutdown)	--	2	3	uA	
Ground Pin Current	I _o =1mA to 300mA	--	30	50	uA	
Output Current Limit	V _{out} =0V	--	450	--	mA	
Power Supply Rejection Ratio	At f=1kHz, I _o =100mA,	--	60	--	dB	
Power Supply Rejection Ratio	At f=1kHz, I _o =100mA, C _{bypass} =0.01uF	--	75	--	dB	
Output Noise	I _o =10mA, f=10Hz to 100kHz, 10pF from bypass to Ground	--	30	--	uVrms	
Enable Input						
Enable Input Logic-Low Voltage	Regulation shutdown	--	--	0.4	V	
Enable Input Logic-High Voltage	Regulation enable	2.0	--	--	V	
Enable Input Current	V _{IL} ≤ 0.4V	--	0.01	1	uA	
	V _{IL} ≥ 2.0V	--	1	5		

Detail Description

Description

The TS9001 series of CMOS regulators contain a P-MOS pass transistor, voltage reference, error amplifier, over current protection, thermal shutdown and short circuit protection.

The TS9001 series switches from voltage mode to current mode when the load exceeds the rated output current. This prevents over stress. The TS9000 also incorporates current fold-back to reduce power dissipation when the output is short circuit. This feature becomes active when the output drops below 1.05V, and reduces the current flow by 65%. Full current is restored when the voltage exceeds 0.95V.

The internal P-channel pass transistor receives data from the error amplifier, over current shutdown, short output protection and thermal protection circuits. During normal operation, the error amplifier compares the output voltage to a precision reference. Over current and thermal shutdown circuits become active when the junction temperature exceeds 150 °C, or the current exceeds 300mA. During thermal shutdown, the output voltage remains low. Normal operation is restored when the junction temperature drops below 120 °C.

Enable

The Chip Enable pin normally floats high. When actively, pulled low, the PMOS pass transistor shut off, and all internal circuits are powered down. In this state, the quiescent current is less than 5uA. This pin behaves much like an electronic switch.

External Capacitor

The TS9001 series is stable with an output capacitor to ground of 2.2uF or greater. It can keep stable even with higher or poor ESR capacitors.

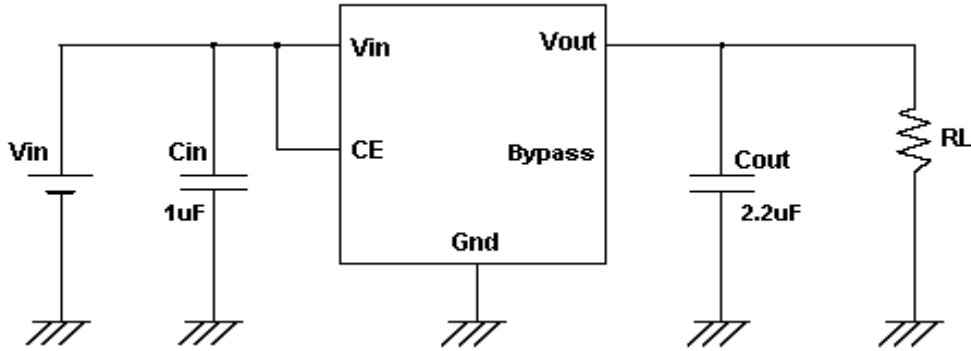
A second capacitor is recommended between the input and ground to stabilize V_{in} . The input capacitor should be larger than 0.1uF to have a beneficial effect.

A third capacitor can be connected between the Bypass pin and Ground. This capacitor can be a low cost polyester film variety between the value of 1~10nF. A larger capacitor improves the AC ripple rejection, but also makes the output come up slowly. This “soft” turn-on is desirable in some applications to limit turn-on surges.

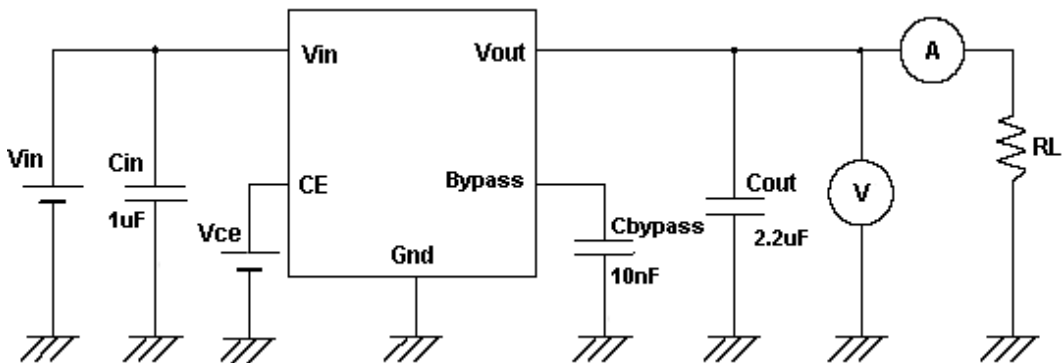
All capacitors should be placed in close proximity to the pins. A “quiet” ground termination is desirable.

Application Examples

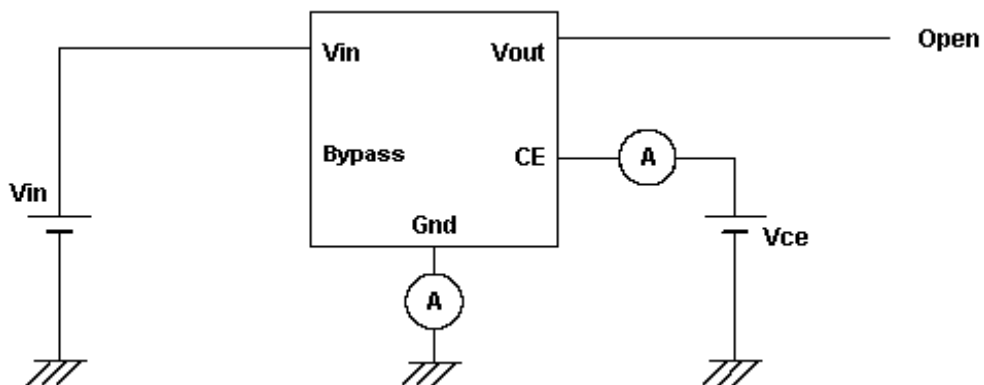
Standard Circuit



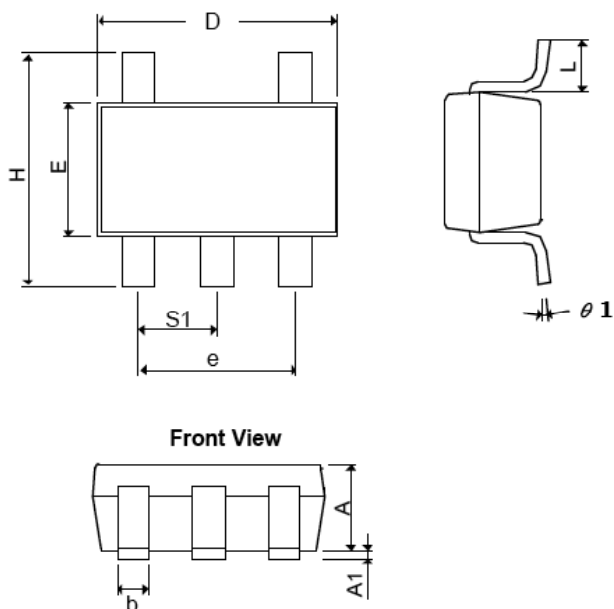
Typical Application Circuit 1



Typical Application Circuit 2



SOT-25 Mechanical Drawing



DIM	MILLIMETERS		INCHES	
	MIN	MAX	MIN	MAX.
A+A1	0.09	1.25	0.0354	0.0492
B	0.30	0.50	0.0118	0.0197
C	0.09	0.25	0.0035	0.0098
D	2.70	3.10	0.1063	0.1220
E	1.40	1.80	0.0551	0.0709
E	1.90 BSC		0.0748 BSC	
H	2.40	3.00	0.09449	0.1181
L	0.35 BSC		0.0138 BSC	
$\theta 1$	0°	10°	0°	10°
S1	0.95 BSC		0.0374 BSC	

Notice

Specifications of the products displayed herein are subject to change without notice. TSC or anyone on its behalf, assumes no responsibility or liability for any errors or inaccuracies.

Information contained herein is intended to provide a product description only. No license, express or implied, to any intellectual property rights is granted by this document. Except as provided in TSC's terms and conditions of sale for such products, TSC assumes no liability whatsoever, and disclaims any express or implied warranty, relating to sale and/or use of TSC products including liability or warranties relating to fitness for a particular purpose, merchantability, or infringement of any patent, copyright, or other intellectual property right.

The products shown herein are not designed for use in medical, life-saving, or life-sustaining applications. Customers using or selling these products for use in such applications do so at their own risk and agree to fully indemnify TSC for any damages resulting from such improper use or sale.