



75 Ohm SMC Plug Right Angle Connector Crimp/ Solder Attachment For RG179, RG187

TECHNICAL DATA SHEET

PE4252

75 Ohm SMC Plug Right Angle Connector Crimp/Solder Attachment For RG179, RG187

Configuration

| | |
|--|--------------|
| Connector | SMC Plug |
| Connector Interface Type | RG179, RG187 |
| Cable Attachment Method (Shield/Contact) | Crimp/Solder |
| Body Style | Right Angle |

Electrical Specifications

| | |
|-----------------|----|
| Impedance, Ohms | 75 |
|-----------------|----|

Mechanical Specifications

Size

| | |
|---------------------|--------------|
| Length, in [mm] | 0.77 [19.56] |
| Width/Dia., in [mm] | 0.375 [10] |
| Height, in [mm] | 0.7 [17.78] |
| Weight, lbs [g] | 0.013 [5.9] |

Connector

| | |
|-----------------------------------|---------------|
| Type | SMC Plug |
| Contact Material and Plating | Gold |
| Coupling Nut Material and Plating | Brass, Nickel |
| Hex Size, in | 11/32 |
| Torque, in-lbs [Nm] | 5 [0.57] |
| Body Material and Plating | Brass, Nickel |
| Dielectric Type | PTFE |

Compliance Certifications (visit www.Pasternack.com for current document)

Plotted and Other Data

Notes: Values at 25 °C, sea level

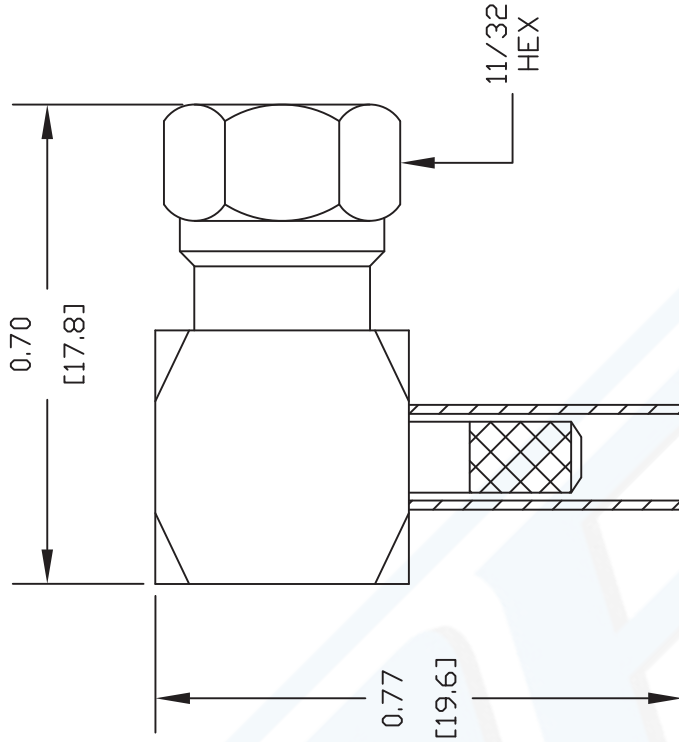
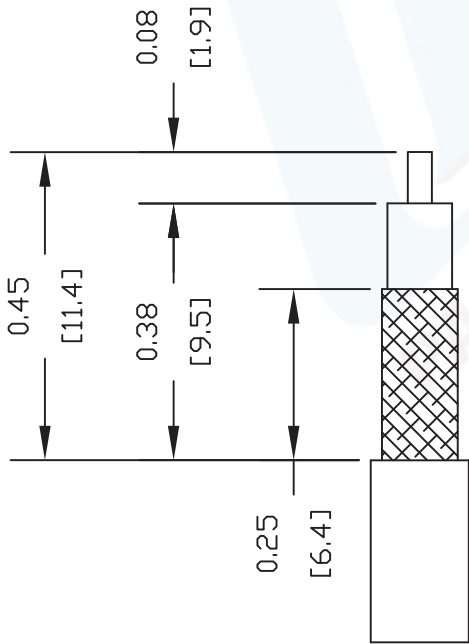
URL: <http://www.pasternack.com/smc-plug-standard-rg179-rg187-connector-pe4252-p.aspx>

75 Ohm SMC Plug Right Angle Connector Crimp/Solder Attachment For RG179, RG187 from Pasternack Enterprises has same day shipment for domestic and International orders. We maintain 99% availability of the industry's broadest selection of RF, microwave and fiber optic products.

The information contained in this document is accurate to the best of our knowledge and representative of the part described herein. It may be necessary to make modifications to the part and/or the documentation of the part, in order to implement improvements. Pasternack reserves the right to make such changes as required. Unless otherwise stated, all specifications are nominal.

PE4252 CAD Drawing

75 Ohm SMC Plug Right Angle Connector Crimp/Solder Attachment For RG179, RG187



STRIPPING DIMENSIONS

ASSEMBLY PROCEDURES

1. STRIP CABLE AS SHOWN & SLIDE FERRULE OVER CABLE.
2. INSTALL CABLE INTO BODY OF CONNECTOR AND SOFT SOLDER CENTER CONDUCTOR IN PLACE.
3. CRIMP FERRULE & PRESS CAP DOWN.

CRIMP SIZE REQUIRED

FERRULE: .128" HEX CRIMP TOOL



Phone: (949) 261-1920 | Fax: (949) 261-7451
 Website: www.pasternack.com | E-Mail: sales@pasternack.com

DWG TITLE

PE4252

- NOTES:
1. UNLESS OTHERWISE SPECIFIED ALL DIMENSIONS ARE NOMINAL.
 2. ALL SPECIFICATIONS ARE SUBJECT TO CHANGE WITHOUT NOTICE AT ANY TIME.
 3. DIMENSIONS ARE IN INCHES [mm].
 4. FITS MIL-C-17 AND EQUIVALENT CABLES.

REV. A

FSCM NO. 53919

CAD FILE 042910

SCALE N/A

SIZE A

147