

KR Electronics

General Description

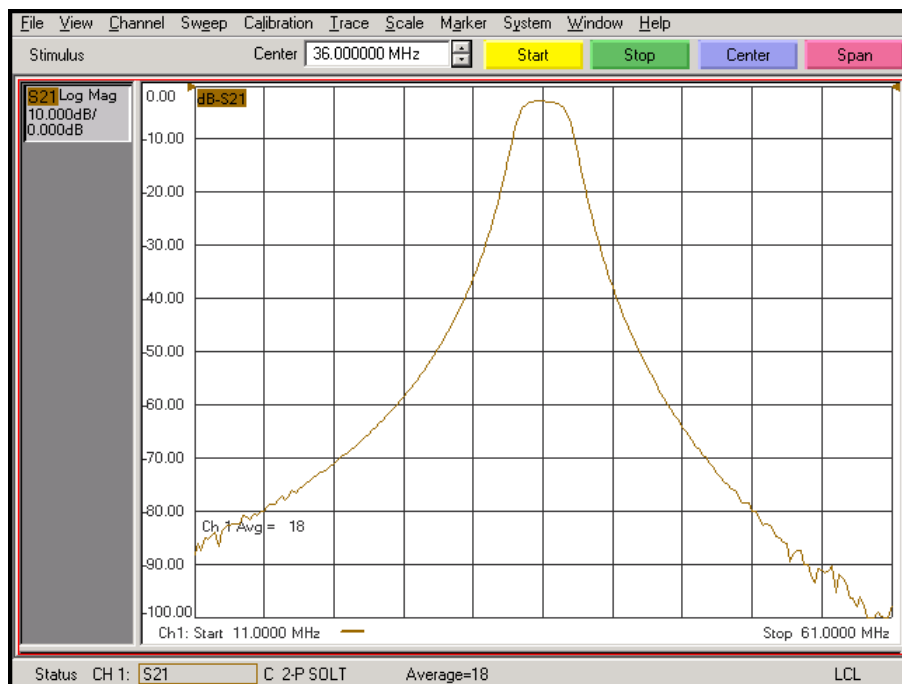
KR Electronics part number 2936-1 is a 36 MHz bandpass filter. The filter has a minimum 3 dB bandwidth of 3 MHz. Other center frequencies and bandwidths available. Please consult the factory.

Features

- 36 MHz Center Frequency
- 3 MHz minimum 3 dB Bandwidth
- 50 Ω Source and Load
- Surface Mount

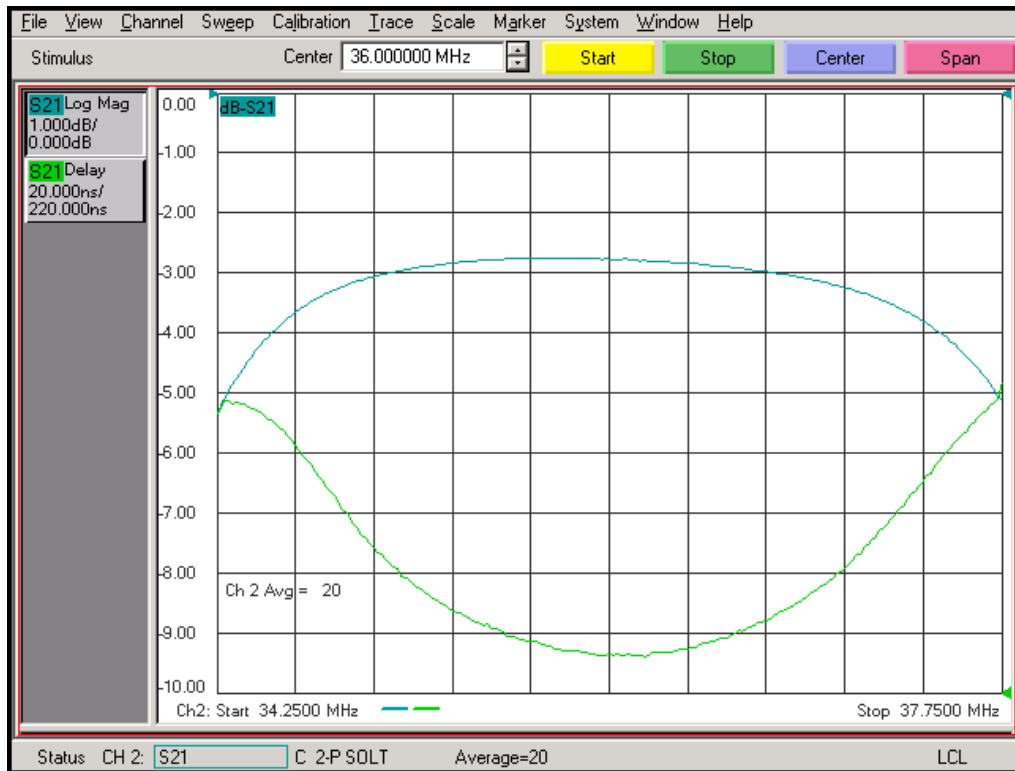
Typical Performance

Overall Response (10 dB/div)



Typical Performance

Passband Amplitude & Group Delay (1 dB/div & 20 nsec/div)

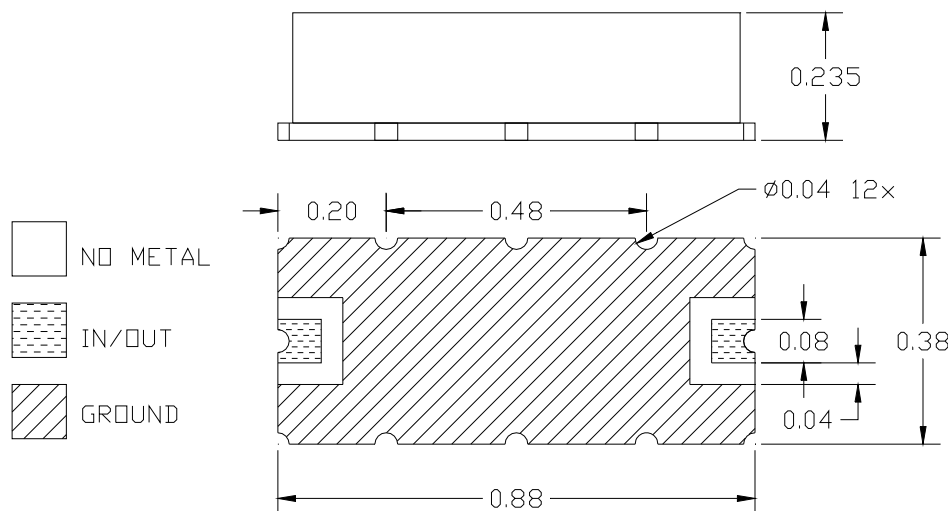


KR Electronics 2936-1

Specifications

Parameter	Specification	
Filter type	Bandpass	
Center Frequency	36 MHz	
Insertion Loss	4.5 dB max	3 dB typical
3 dB Bandwidth	3 MHz min	
Rejection at 25.6 MHz	47 dB min	56 dB typical
Rejection at 46.4 MHz	50 dB min	60 dB typical
Source and Load	50 Ω	

Physical Dimensions



Notes:

1. Surface mount package
2. Dimensions in inches
3. Max reflow temperature 209° C for 10 sec
4. If boards are cleaned after installation units must be completely dried

KR Electronics, Inc.
91 Avenel Street
Avenel, NJ 07001

Web www.krfilters.com
Email sales@krfilters.com
Phone (732) 636-1900
Fax (732) 636-1982