

1.5MHz 600mA, Synchronous Step-Down Regulator

General Description

EML3406 is designed with high efficiency step down DC/DC converter for portable devices applications. It features with extreme low quiescent current with no load which is the best fit for extending battery life during the standby mode. The device operates from 2.5V to 5.5V input voltage and up to 600mA output current capability. High 1.5MHz internal frequency makes small surface mount inductors and capacitors possible and reduces overall PCB board space. Further, build-in synchronous switch makes external Schottky diode is no longer needed and efficiency is improved. EML3406 is designed base on pulse width modulation (PWM) for low output voltage ripple and fixed frequency noise, low dropout mode provides 100% duty cycle operation. Low reference voltage is designed for achieving regulated output down to 0.6V.

The device is available in an adjustable version and fixed output voltages of 1.2V, 1.5V, 1.8V and 3.3V. The EML3406 is available in SOT-5 package.

Features

- Achieve 95% efficiency
- Input Voltage : 2.5V to 5.5V
- Output Current up to 600mA
- Reference voltage 0.6V
- Quiescent Current 200 μ A with No Load
- Internal switching frequency 1.5MHz
- No Schottky Diode needed
- Low Dropout Operation: 100% Duty Cycle
- Shutdown current < 1 μ A
- Excellent Line and Load Transient Response
- Over-temperature Protection

Applications

- Blue-Tooth devices
- Cellular and Smart Phones
- Personal multi-media Player (PMP)
- Wireless networking
- Digital Still Cameras
- Portable applications

Typical Application (adjustable)

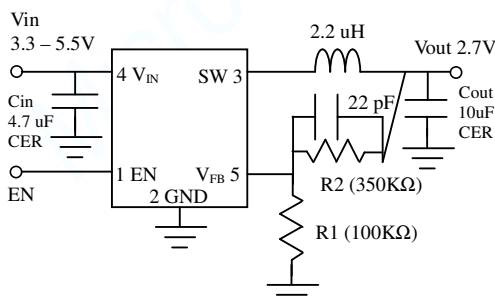


Fig. 1

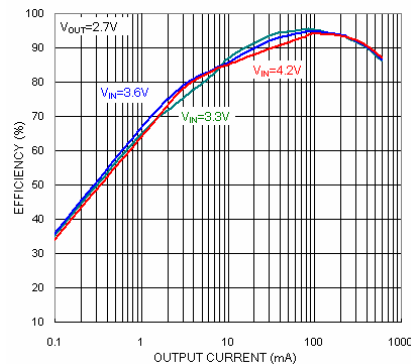
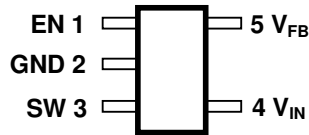


Fig. 2

Elite MicroPower Inc. reserves the right to make changes to improve reliability or manufacturability without notice, and customers are advised to obtain the latest version of relevant information prior to placing orders.

CONNECTION DIAGRAM

SOT-25



ORDER INFORMATION

EML3406-XXVF05GRR

XX Output voltage

VF05 SOT-25 Package

GRR RoHS Package

Rating: -40 to 85°C

Package in Tape & Reel

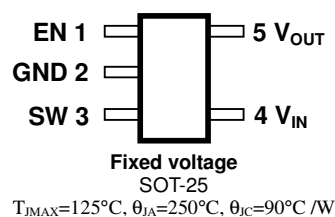
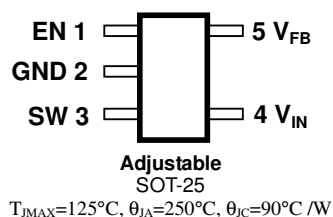
NRR RoHS & Halogen free package (By Request)

Order, Mark & Packing Information

Product ID	Package	Vout	Order information	Marking		Packing
				New	Old	
EML3406	SOT-25	1.2	EML3406-12VF05GRR		L601 Date code	Tape & Reel 3Kpcs
		1.5	EML3406-15VF05GRR		L604 Date code	
		1.8	EML3406-18VF05GRR		L607 Date code	
		3.3	EML3406-33VF05GRR		L60M Date code	
EML3406	SOT-25	adjustable	EML3406-00VF05GRR		L600 Date code	

Elite MicroPower Inc. reserves the right to make changes to improve reliability or manufacturability without notice, and customers are advised to obtain the latest version of relevant information prior to placing orders.

Package configuration



Pin Functions

Pin #	Pin Name	Function
1	EN	Enable Pin. Minimum 1.2V to enable the device. Maximum 0.4V to shut down the device. Do not leave this pin floating and enable the chip after V_{in} is in the input voltage range.
2	GND	Ground Pin.
3	SW	Switch Pin. Must be connected to Inductor. This pin connects to the drains of the internal main and synchronous power MOSFET switches.
4	V_{IN}	Input voltage Pin. Must be closely decoupled to GND pin with a 4.7 μF or greater ceramic capacitor.
5	V_{FB} (Adjustable)	Feedback Pin. Receives the feedback voltage from an external resistive divider across the output.
	V_{OUT} (Fixed voltage)	Output Voltage Pin. An internal resistive divider divides the output voltage down for comparison to the internal reference voltage.

Elite MicroPower Inc. reserves the right to make changes to improve reliability or manufacturability without notice, and customers are advised to obtain the latest version of relevant information prior to placing orders.

Absolute Maximum Ratings

Devices are subjected to failure if they stay above absolute maximum ratings.

Input Voltage -----	- 0.3V to 6V	Operating Temperature Range -----	-40°C to 85°C
EN, V _{FB} Voltages -----	- 0.3V to V _{IN}	Junction Temperature (Notes 1, 3) -----	125°C
SW Voltage -----	- 0.3V to (V _{IN} + 0.3V)	Storage Temperature Range -----	- 65°C to 150°C
PMOS Switch Source Current (DC) -----	800mA	Lead Temperature (Soldering, 10 sec) -----	240°C
NMOS Switch Sink Current (DC) -----	800mA	ESD Susceptibility HBM -----	2KV
Peak Switch Sink and Source Current -----	1.3A	MM -----	200V

Electrical Characteristics

The ● denotes specifications which apply over the full operating temperature range, otherwise specifications are T_A = 25°C. V_{IN} = 3.6V unless otherwise specified.

Symbol	Parameter	Conditions	Min	Typ	Max	Units	
I _{VFB}	Feedback Current				±30	nA	
V _{FB}	Regulated Feedback Voltage	T _A = 25°C	0.588	0.600	0.612	V	
Δ V _{FB}	Reference Voltage Line Regulation	V _{IN} = 2.5V to 5.5V	●		0.4	%/V	
V _{OUT} %	Output Voltage Accuracy		●	-3	3	%	
Δ V _{OVL}	Output Over-voltage Lockout	Δ V _{OVL} = V _{OVL} - V _{FB} , EML3406		20	50	80	mV
		Δ V _{OVL} = V _{OVL} - V _{OUT} , EML3406-Fixed		2.5	7.8	13	%
Δ V _{OUT}	Output Voltage Line Regulation	V _{IN} = 2.5V to 5.5V	●		0.4	%/V	
I _{PK}	Peak Inductor Current	V _{IN} = 3V, V _{FB} = 0.5V or V _{OUT} = 90%, Duty Cycle < 35%		1.0		A	
V _{LOADREG}	Output Voltage Load Regulation			0.5		%	
I _S	Quiescent Current (Note 2)	V _{FB} = 0.5V or V _{OUT} = 90%		200	340	μA	
	Shutdown	V _{EN} = 0V, V _{IN} = 4.2V		0.1	1	μA	
f _{OSC}	Oscillator Frequency	V _{FB} = 0.6V or V _{OUT} = 100%	●	1.2	1.5	1.8	MHz
		V _{FB} = 0V or V _{OUT} = 0V	●		290		kHz
R _{PFET}	R _{DS(ON)} of PMOS	I _{SW} = 100mA		0.45	0.55	Ω	
R _{NFET}	R _{DS(ON)} of NMOS	I _{SW} = -100mA		0.40	0.5	Ω	
I _{LSW}	SW Leakage	V _{EN} = 0V, V _{SW} = 0V or 5V, V _{IN} = 5V			±1	μA	
V _{EN}	Enable Threshold		●		1.2	V	
	Shutdown Threshold		●	0.4		V	
I _{EN}	EN Leakage Current		●		±1	μA	

Note 1: T_J is a function of the ambient temperature T_A and power dissipation P_D (T_J = T_A + (P_D)(250°C/W))

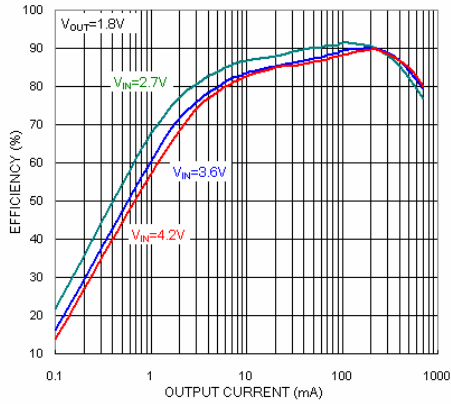
Note 2: Dynamic quiescent current is higher due to the gate charge being delivered at the switching frequency.

Note 3: This IC is build-in over-temperature protection to avoid damage from overload conditions.

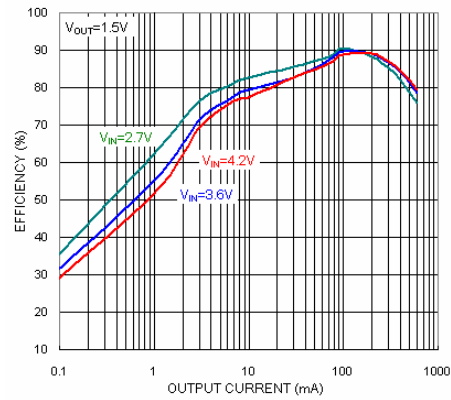
Elite MicroPower Inc. reserves the right to make changes to improve reliability or manufacturability without notice, and customers are advised to obtain the latest version of relevant information prior to placing orders.

Typical Performance Characteristics

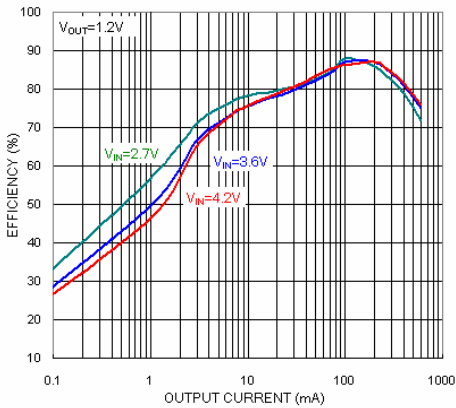
Efficiency vs Output Current



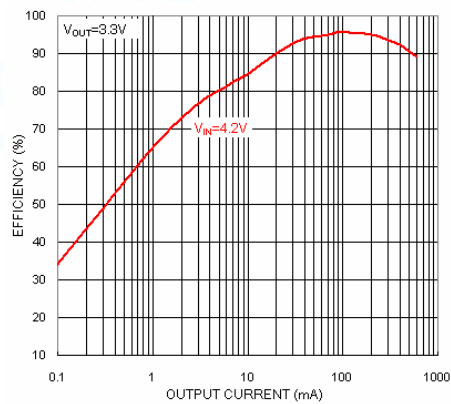
Efficiency vs Output Current



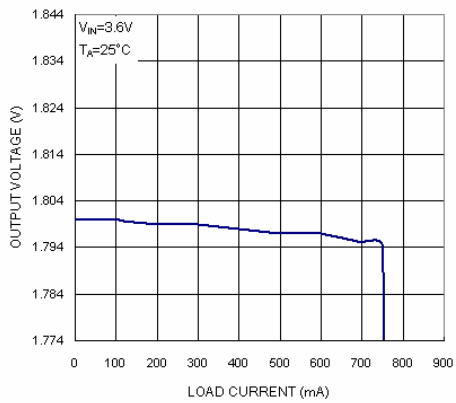
Efficiency vs Output Current



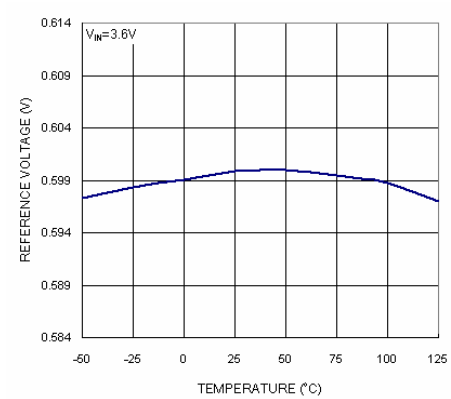
Efficiency vs Output Current



Output Voltage vs Load Current

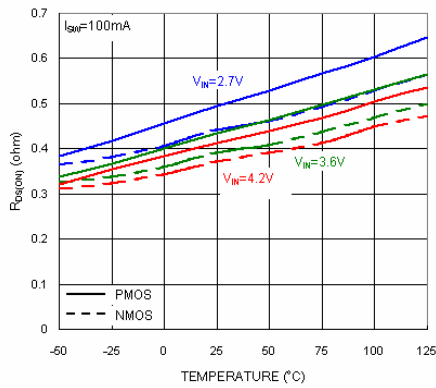


Reference voltage vs Temperature

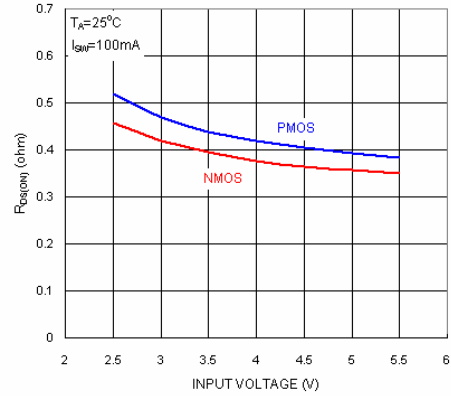


Elite MicroPower Inc. reserves the right to make changes to improve reliability or manufacturability without notice, and customers are advised to obtain the latest version of relevant information prior to placing orders.

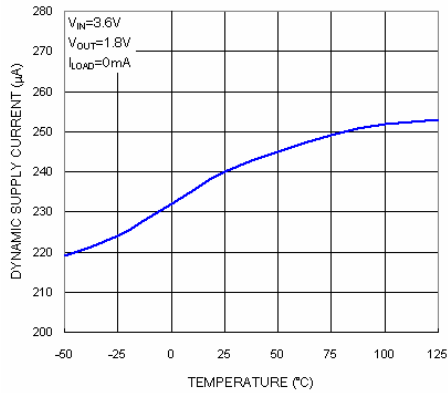
R_{DS(ON)} vs Temperature



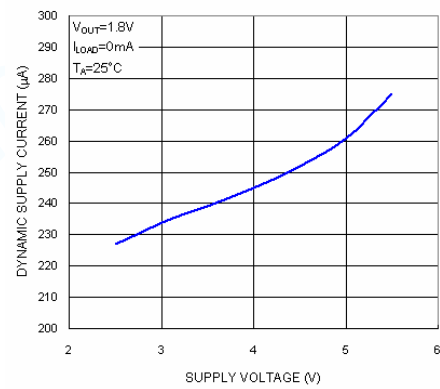
R_{DS(ON)} vs Input Voltage



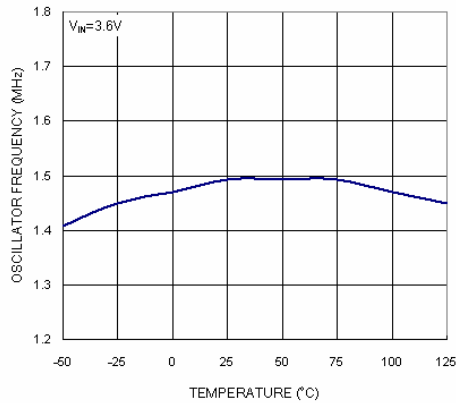
Dynamic Supply Current vs Temperature



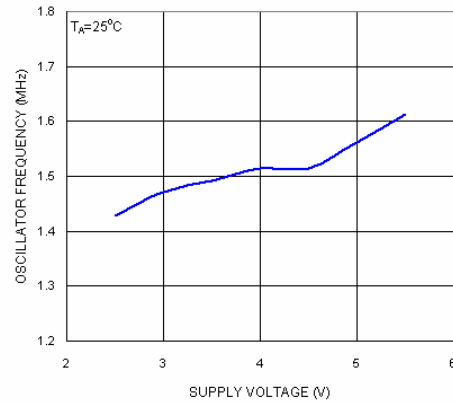
Dynamic Supply Current vs Supply Voltage



Oscillator Frequency vs Temperature



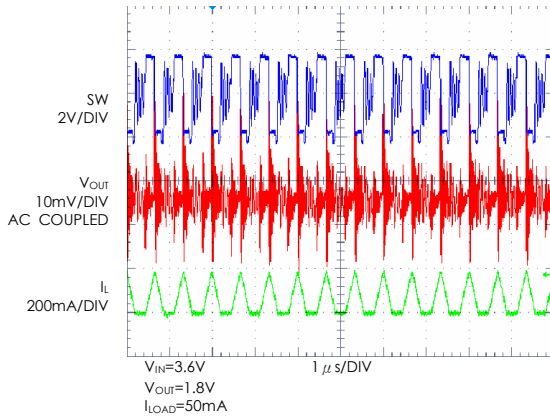
Oscillator Frequency vs Supply Voltage



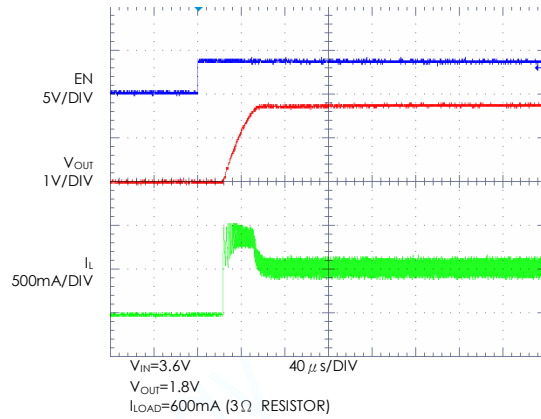
Elite MicroPower Inc. reserves the right to make changes to improve reliability or manufacturability without notice, and customers are advised to obtain the latest version of relevant information prior to placing orders.

Typical Performance Characteristics

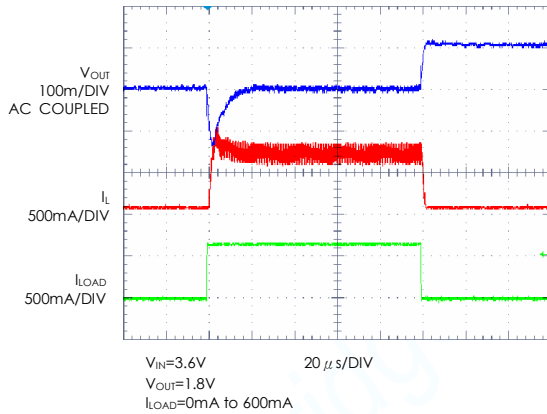
Discontinuous Operation



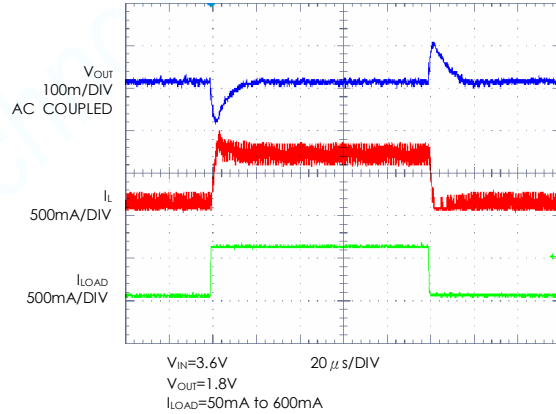
Start-up From Shutdown



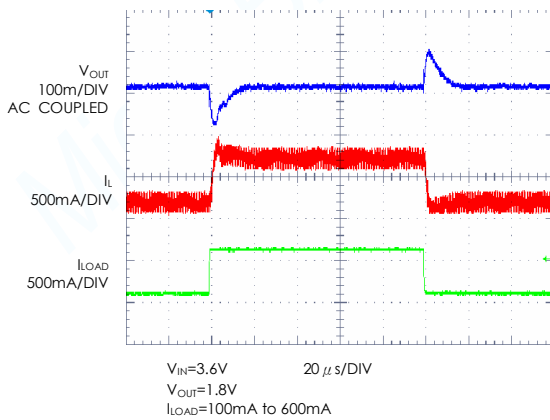
Load Step



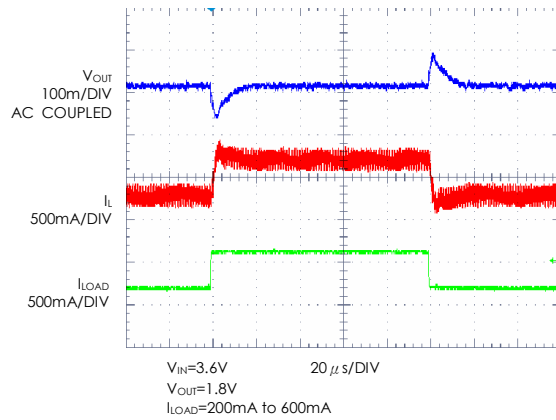
Load Step



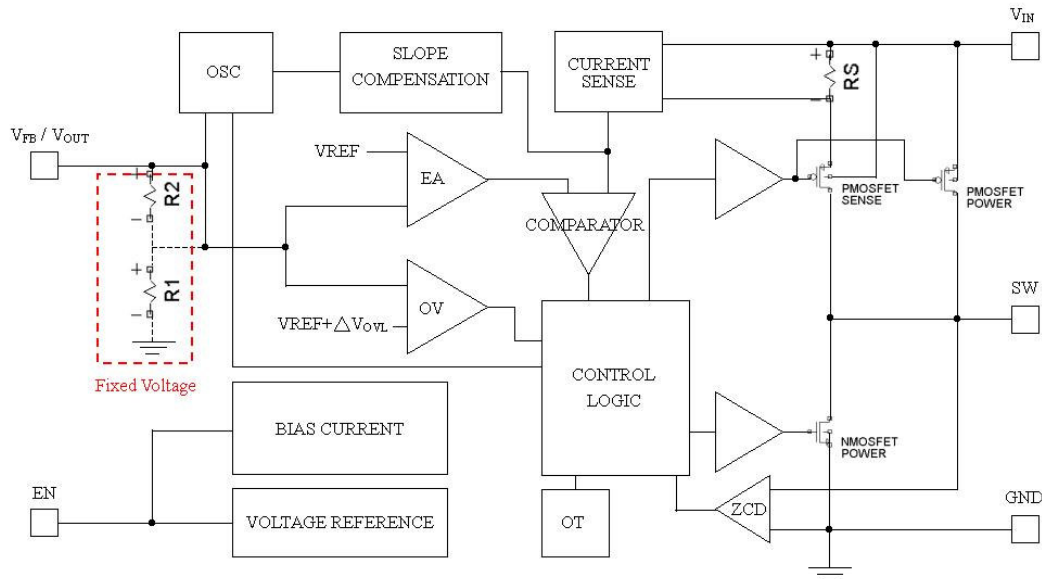
Load Step



Load Step



Elite MicroPower Inc. reserves the right to make changes to improve reliability or manufacturability without notice, and customers are advised to obtain the latest version of relevant information prior to placing orders.

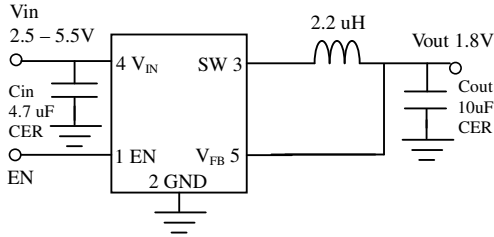
Functional Block Diagram

Elite MicroPower Inc. reserves the right to make changes to improve reliability or manufacturability without notice, and customers are advised to obtain the latest version of relevant information prior to placing orders.

Applications

The typical application circuit of adjustable version is shown in Fig.1.

Fixed voltage version is shown below:



Inductor Selection

Basically, inductor ripple current and core saturation are two factors considered to decide the Inductor value.

$$\Delta I_L = \frac{1}{f \cdot L} V_{OUT} \left(1 - \frac{V_{OUT}}{V_{IN}} \right) \quad \text{Eq. 1}$$

The Eq. 1 shows the inductor ripple current is a function of frequency, inductance, Vin and Vout. It is recommended to set ripple current to 40% of max. load current. A low ESR inductor is preferred.

CIN and COUT Selection

A low ESR input capacitor can prevent large voltage transients at VIN. The RMS current of input capacitor is required larger than IRMS calculated by:

$$I_{RMS} \cong I_{OMAX} \frac{\sqrt{V_{OUT}(V_{IN} - V_{OUT})}}{V_{IN}} \quad \text{Eq. 2}$$

ESR is an important parameter to select COUT. The output ripple VOUT is determined by:

$$\Delta V_{OUT} \cong \Delta I_L \left(ESR + \frac{1}{8 \cdot f \cdot C_{OUT}} \right) \quad \text{Eq. 3}$$

Higher values, lower cost ceramic capacitors are now available in smaller sizes. These ceramic capacitors have high ripple currents, high voltage ratings and low ESR that make them ideal for switching regulator

applications. Optimize very low output ripple and small circuit size is doable from Cout selection since Cout does not affect the internal control loop stability. It is recommended to use the X5R or X7R which have the best temperature and voltage characteristics of all the ceramics for a given value and size.

Output Voltage (EML3406 adjustable)

In the adjustable version, the output voltage can be determined by:

$$V_{OUT} = 0.6 V \left(1 + \frac{R_2}{R_1} \right) \quad \text{Eq. 4}$$

Thermal Considerations

Although thermal shutdown is build-in in EML3406 that protect the device from thermal damage, the total power dissipation that EML3406 can sustain should be base on the package thermal capability. The formula to ensure the safe operation is shown in Note 1.

To avoid the EML3406 from exceeding the maximum junction temperature, the user will need to do some thermal analysis.

Guidelines for PCB Layout

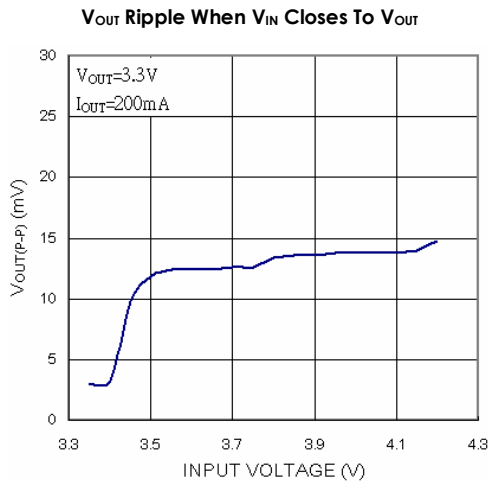
To ensure proper operation of the EML3406, please note the following PCB layout guidelines:

1. The GND trace, the SW trace and the VIN trace should be kept short, direct and wide.
2. VFB pin must be connected directly to the feedback resistors. Resistive divider R1/R2 must be connected and parallel to the output capacitor COUT.
3. The Input capacitor CIN must be connected to pin VIN as closely as possible.
4. Keep SW node away from the sensitive VFB node since this node is with high frequency and voltage swing.
5. Keep the (-) plates of CIN and COUT as close as possible.

Applications (continued)

Output Voltage Ripple When V_{IN} Closes To V_{OUT}

EML3406 goes into LDO mode when input voltage closes to output voltage. The transition from PWM mode to LDO mode is smooth. Bottom diagram shows the relationship of output voltage ripple versus input voltage when output voltage is 3.3V and EML3406 provides 200mA load current.



Design Example

Assume the EML3406 is used in a single lithium-ion battery-powered application. The V_{IN} range will be about 2.7V to 4.2V. Output voltage is 1.8V.

With this information we can calculate L using equation:

$$L = \frac{1}{f \cdot \Delta I_L} V_{OUT} \left(1 - \frac{V_{OUT}}{V_{IN}} \right)$$

Substituting $V_{OUT} = 1.8V$, $V_{IN} = 4.2V$, $\Delta I_L = 240mA$ and $f = 1.5MHz$ in eq. 1 gives:

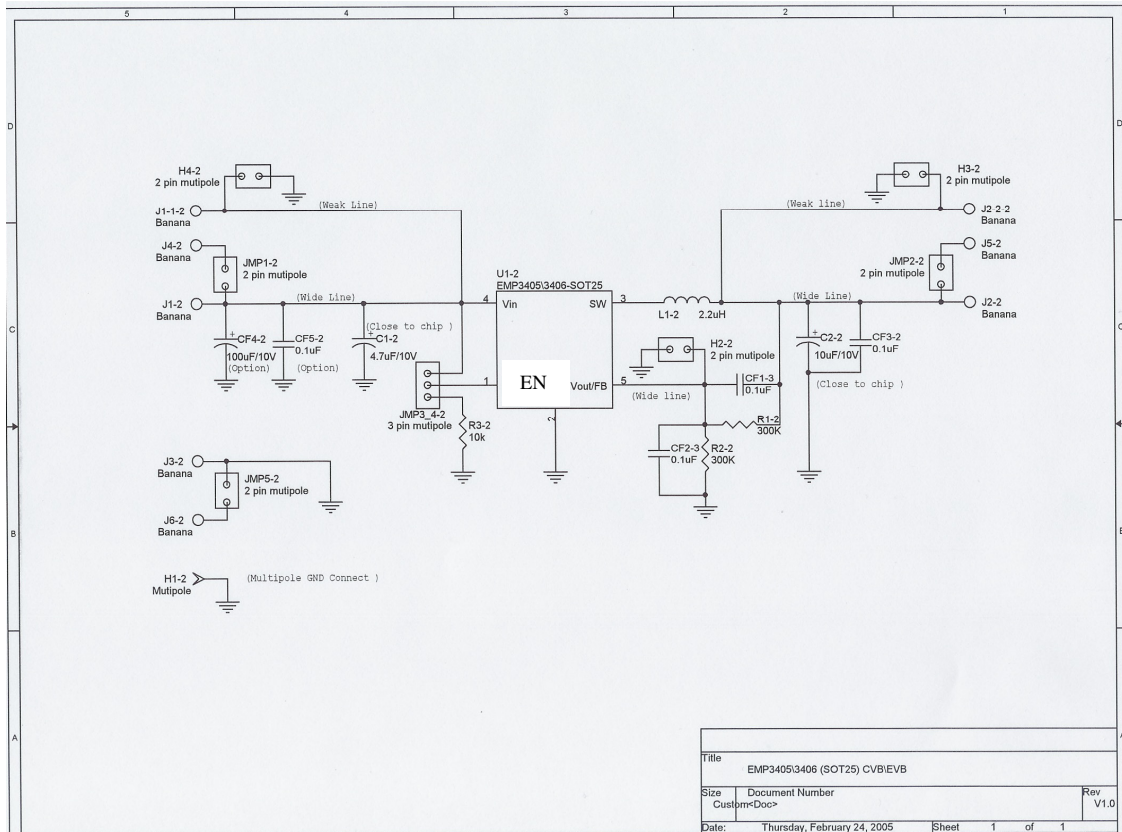
$$L = \frac{1.8V}{1.5MHz \cdot 240mA} \left(1 - \frac{1.8V}{4.2V} \right) = 2.86\mu H$$

A 2.2 μH inductor could be chose with this application.

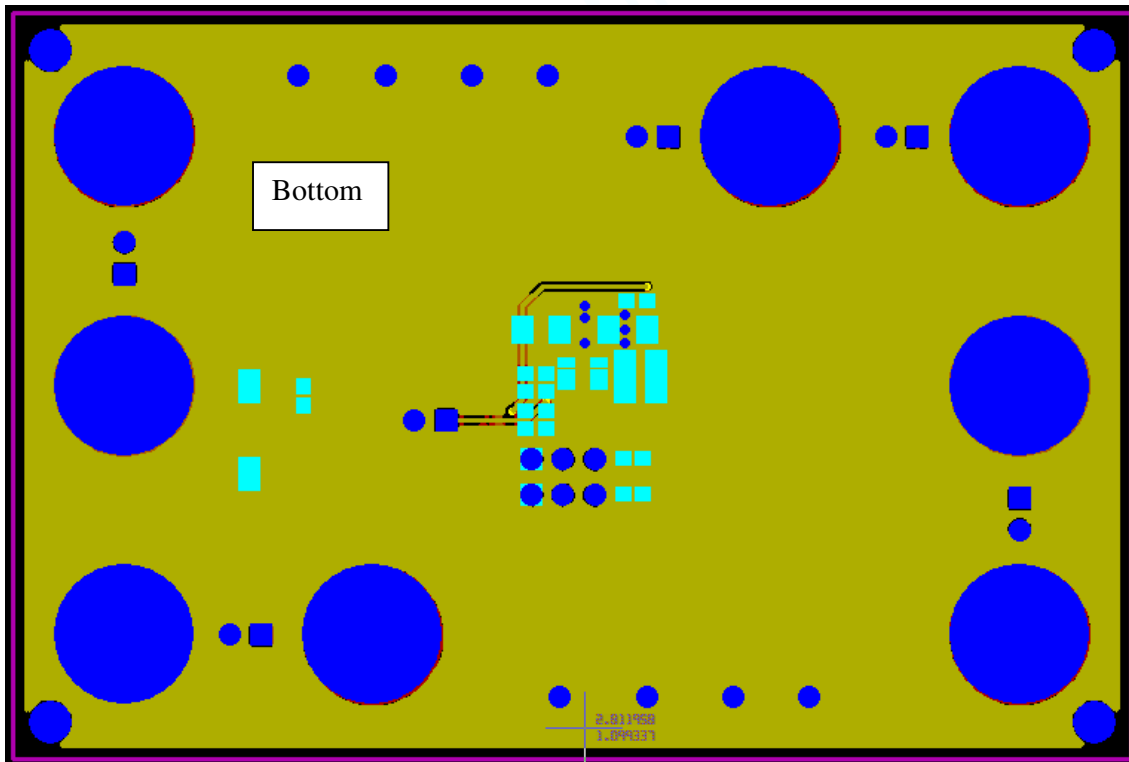
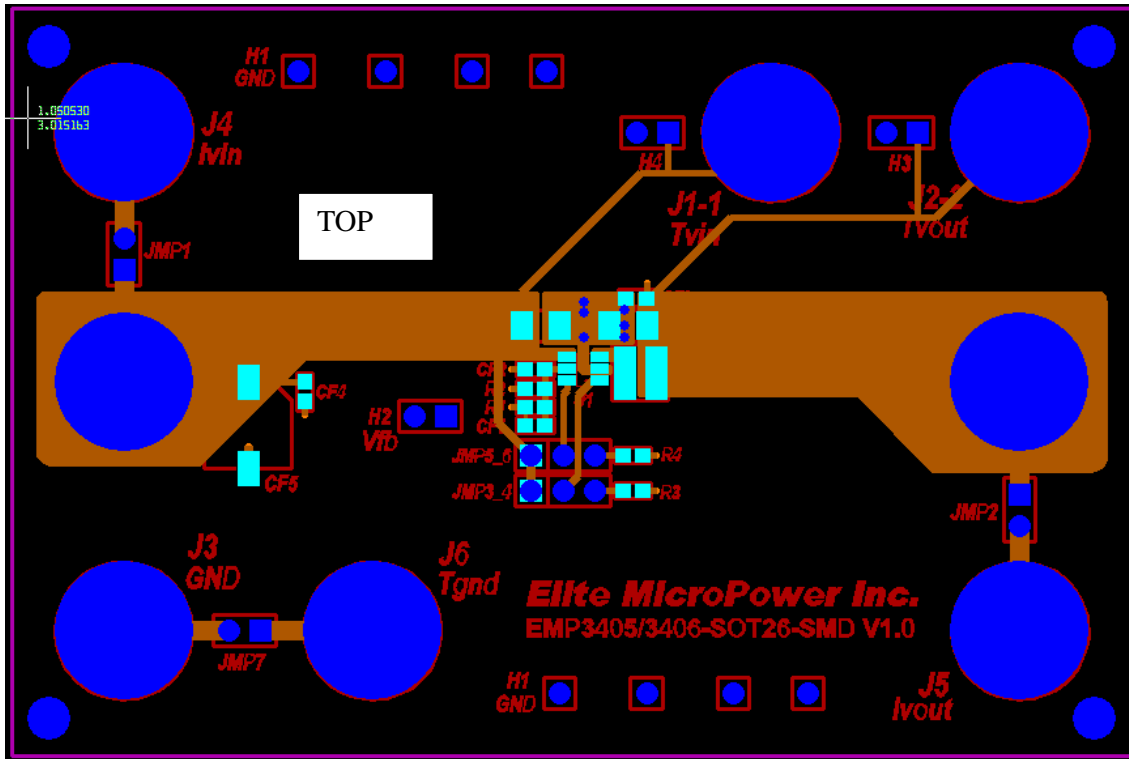
A greater inductor with less equivalent series resistance makes best efficiency. C_{IN} will require an RMS current rating of at least $I_{LOAD(MAX)}/2$ and low ESR. In most cases, a ceramic capacitor will satisfy this requirement.

Application (Continued)

Typical schematic for PCB layout



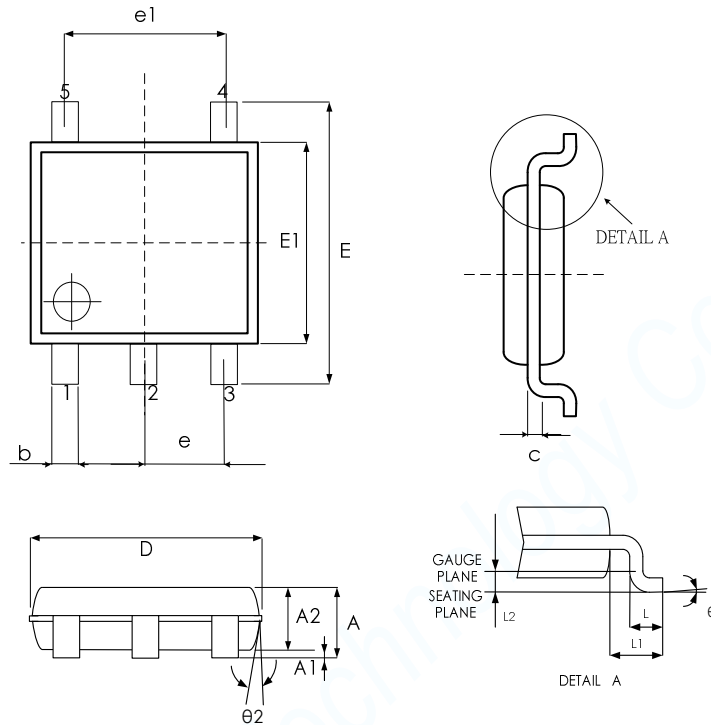
Elite MicroPower Inc. reserves the right to make changes to improve reliability or manufacturability without notice, and customers are advised to obtain the latest version of relevant information prior to placing orders.



Elite MicroPower Inc. reserves the right to make changes to improve reliability or manufacturability without notice, and customers are advised to obtain the latest version of relevant information prior to placing orders.

Package Information

SOT-25



SYMBPLS	MIN.	NOM.	MAX.
A	1.05	1.20	1.35
A1	0.05	0.10	0.15
A2	1.00	1.10	1.20
b	0.30	—	0.50
c	0.08	—	0.20
D	2.80	2.90	3.00
E	2.60	2.80	3.00
E1	1.50	1.60	1.70
e	0.95 BSC		
e1	1.90 BSC		
L	0.30	0.45	0.55
L1	0.60 REF		
θ°	0	5	10
$\theta 2^\circ$	6	8	10

UNIT: MM

Elite MicroPower Inc. reserves the right to make changes to improve reliability or manufacturability without notice, and customers are advised to obtain the latest version of relevant information prior to placing orders.



Elite MicroPower Inc.

EML3406

© Copyright 2006 All rights reserved.

No part of this document may be reproduced or duplicated in any form or by any means without the prior permission of EMP.

The contents contained in this document are believed to be accurate at the time of publication. EMP assumes no responsibility for any error in this document, and reserves the right to change the products or specification in this document without notice.

The information contained herein is presented only as a guide or examples for the application of our products. No responsibility is assumed by EMP for any infringement of patents, copyrights, or other intellectual property rights of third parties which may result from its use. No license, express, implied or otherwise, is granted under any patents, copyrights or other intellectual property rights of EMP or others.

Any semiconductor devices may have inherently a certain rate of failure. To minimize risks associated with customer's application, adequate design and operating safeguards against injury, damage, or loss from such failure, should be provided by the customer when making application designs.

EMP's products are not authorized for use in critical applications such as, but not limited to, life support devices or system, where failure or abnormal operation may directly affect human lives or cause physical injury or property damage. If products described here are to be used for such kinds of application, purchaser must do its own quality assurance testing appropriate to such applications.

Elite MicroPower Inc. reserves the right to make changes to improve reliability or manufacturability without notice, and customers are advised to obtain the latest version of relevant information prior to placing orders.