

## 2 ~ 6GHz 35dB Gain 13dBm Power Amplifier

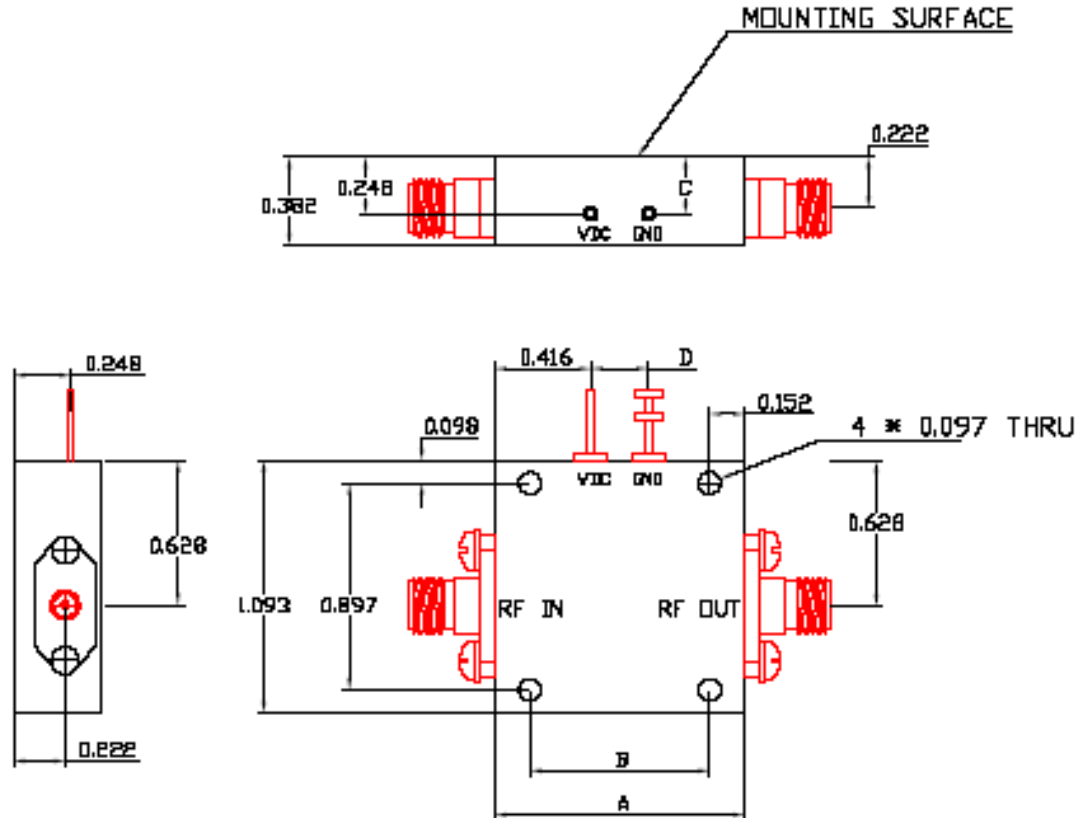
### FEATURES

- $P_{1dB}$ : 13dBm, min.
- Small Signal Gain: 35dB, min.
- Bias Condition: 120mA @ 12 V

### ELECTRICAL SPECIFICATIONS (Specified at 25C)

SYMBOL	DESCRIPTION	MIN	TYP	MAX	UNITS
FREQ	Frequency Range	2		6	GHz
SSG	Small Signal Gain	35	39		dB
GOF	Small Signal Gain Flatness		±0.8		dB
NF	Noise Figure		2.3		dB
$P_{1dB}$	Output Power at 1 dB Gain Compression	13			dBm
IP3	The Third Intercept Point		23		dBm
VSWR, IN	Input VSWR			2 : 1	-----
VSWR, OUT	Output VSWR			2 : 1	-----
Vdc	DC Supply Voltage(with built-in regulator)	11	12	13	Volt
Idc	Current Supply		120		mA
OTR	Operating Temperature Range	-30		70	°C

Housing: HG3, with SMA female removable connectors, unit is inch



DIM CASE	A	B	C	D
HG2	0.841	0.537	0.080	0.13
HG3	1.083	0.779	0.248	0.25
HG4	1.333	1.029	0.248	0.25
HG5	1.583	1.279	0.248	0.25
HG6	1.833	1.529	0.248	0.25