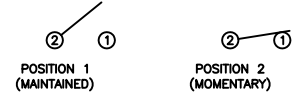
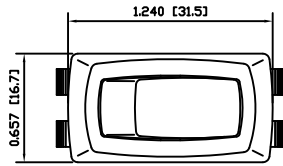


**SCHEMATIC**

**SPECIFICATIONS**



**FUNCTION:**  
1P1T OFF-(ON)

**RATINGS:**  
ANSI/UL 1054 and CAN/CSA C22.2 No. 55 (E194579):  
20A 125VAC [cURus]  
16A 250VAC [cURus]  
3/4HP 125/250VAC [cURus]

CAN/CSA C22.2 No. 55 (233821):  
16A 125/250VAC [CSA]  
1/4HP 125/250VAC [CSA]

EN 61058-1:2002 and DIN/VDE 0630:2003-03 (40017440):  
16(4)A 250V~ 1E4 μ T85/55 [ENEC10, VDE]  
10(2)A 250V~ 5E4 μ T85/55 [ENEC10, VDE]  
20(8)A 250V~ 1E4 μ T125/55 [ENEC10, VDE]

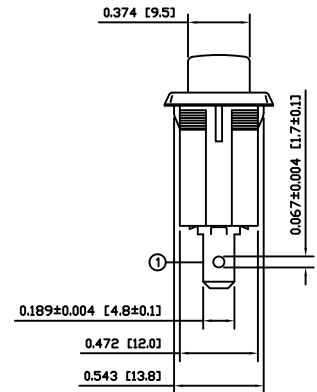
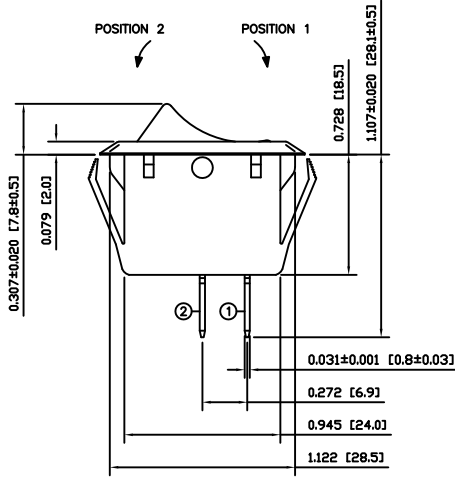
**CONTACT RESISTANCE:**  
Initial: 20mΩ Max.

**INSULATION RESISTANCE:**  
100MΩ Min. at 500VDC

**DIELECTRIC STRENGTH:**  
1,000VAC for 1 Minute

**ELECTRICAL LIFE:**  
6,000 Cycles [cURus, CSA]  
10,000 Cycles [ENEC10, VDE: 16(4)A 250V~]  
50,000 Cycles [ENEC10, VDE: 10(2)A 250V~]

**TEMPERATURE:**  
Operating: -20°C to 105°C [cURus, CSA]  
Operating: -20°C to 85°C [ENEC10, VDE: 16(4)A 250V~]  
Operating: -20°C to 125°C [ENEC10, VDE: 20(8)A 250V~]



**COLORS AND MARKINGS**

**BODY:**  
Black

**ACTUATOR:**  
Black

**MARKINGS:**  
None

**MARKING COLOR:**  
None

**MATERIALS**

**BODY:**  
Polyamide 6/6 (PA66), UL94 V-2

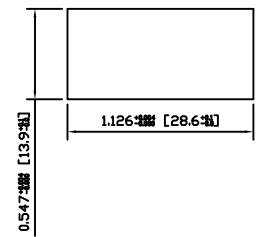
**ACTUATOR:**  
Polyamide 6/6 (PA66), UL94 V-2

**SPRING:**  
Steel

**CONTACTS:**  
Silver Plated Copper

**TERMINALS:**  
Silver Plated Copper  
Silver Plated Brass

**SUGGESTED PANEL CUTOUT**



ACTUATOR	A	09/08/13	CAB
BODY	A	10/07/13	CAB
COLORS	A	09/08/13	CAB
MATERIALS	A	09/08/13	CAB
SPECIFICATIONS	B	10/01/27	CAB
REFERENCE	REV.	DATE	BY

THE INFORMATION CONTAINED IN THIS DOCUMENT IS PROPRIETARY TO E-SWITCH AND IS NOT TO BE COPIED OR TRANSFERRED

A	INITIAL RELEASE	19190	10/07/13	CAB
REV.	DESCRIPTION	PCR	DATE	DRAWN BY

DIMENSIONS	
INCHES [MILLIMETERS]	
GENERAL TOLERANCES	
±0.008 [±0.2] / ±1°	
SCALE	PROJECTION
DRAWING NOT TO SCALE	1st Angle

RSC114D1100			
ITEM NUMBER	DATE	REVISION	
14-RSC114D1100	JULY 13, 2010	A	