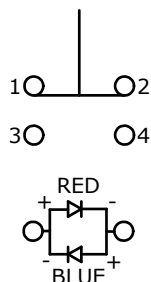


PANEL CUTOUT
MAX. PANEL THICKNESS 10mm



▲ SPDT ON-(OFF)/OFF-(ON)
CONTACT CONFIGURATION
() DENOTES MOMENTARY FUNCTION

NOTE:

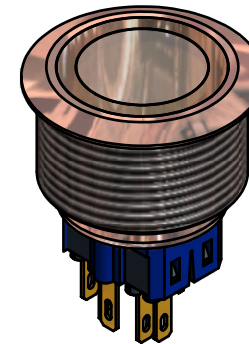
1. ALL DIMENSIONS IN MM [INCH]
2. GENERAL TOLERANCE: X.X = ± 0.4
X.XX = ± 0.25
3. TERMINAL NOS. FOR REF. ONLY
- ▲ 4. FUNCTION: DPDT
- ▲ 5. RATING: 2A @ 48VDC
6. ILLUMINATION VOLTAGE: BASE VOLTAGE 6 V
7. CONTACT RESISTANCE: 50mΩ MAX. @ 1A 12VDC
8. INSULATION RESISTANCE: 1,000MΩ @ 500VDC
9. DIELECTRIC STRENGTH: 2,000VAC MIN. FOR 1 MINUTE
10. ELECTRICAL LIFE: 50,000 CYCLES
11. OPERATING TEMPERATURE: -20°C TO 55°C
12. INGRESS PROTECTION: IP65
13. SUPPLIED HARDWARE: O-RING AND HEXNUT
13. ▲ DENOTES CRITICAL PARAMETER
13. 2002/95/EC (ROHS) COMPLIANT
- ▲ 14. ILLUMINATION COLOR: RED (FORWARD), BLUE (REVERSE)
15. ILLUMINATION VOLTAGE: RED 1.8V; BLUE 2.8V

▲ ACTUATOR FINISH:
STAINLESS STEEL

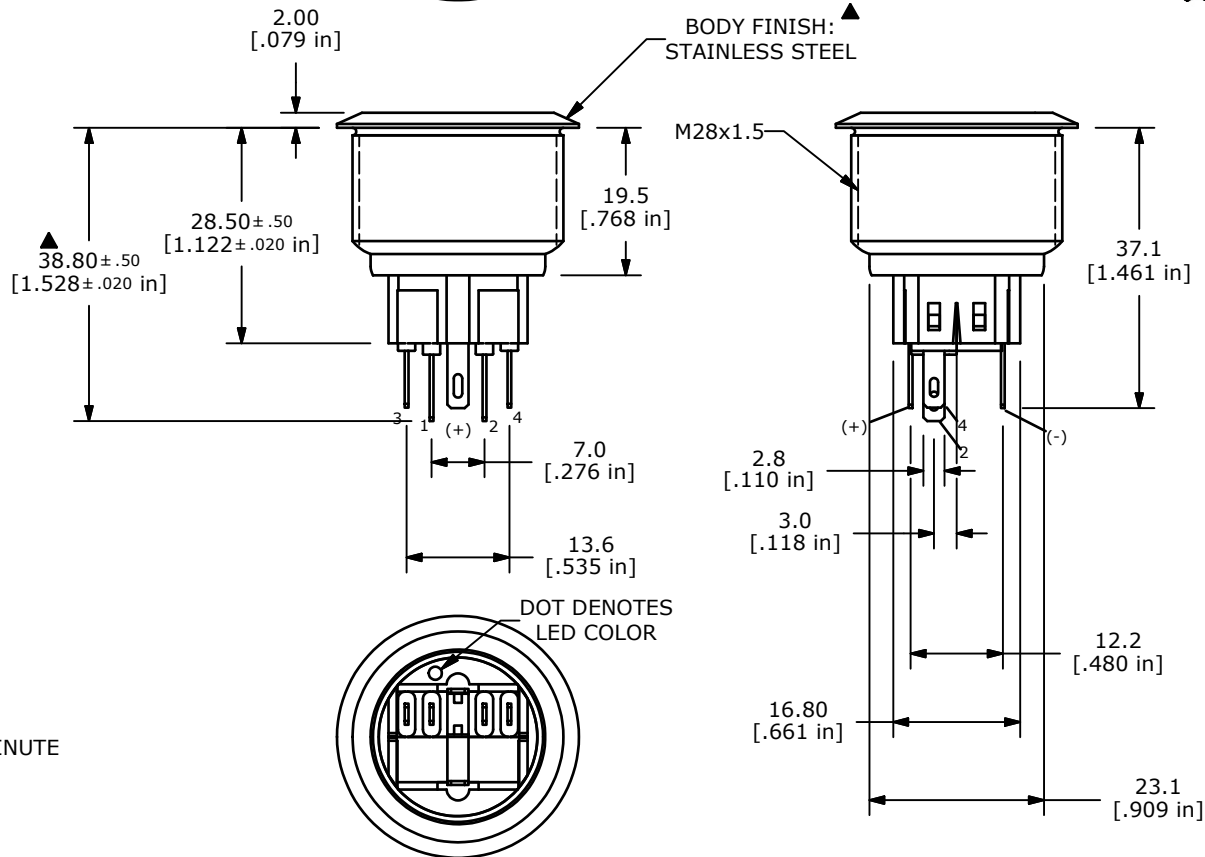
Ø32.00
[1.260 in]

Ø17.50
[.689 in]

▲ RING ILLUMINATION
RED/BLUE



▲ BODY FINISH:
STAINLESS STEEL



DOT DENOTES
LED COLOR



TITLE PV9F2Y0SS-3H1

A	21735	New Release	12/16/14	rc
REV	PCR NO	DESCRIPTION	DATE	BY

SCALE	DATE	DR	DWG	REV
1:1	12/16/2014	rc	52-PV9F2Y0SS3H1	A

THE INFORMATION CONTAINED IN THIS DOCUMENT IS PROPRIETARY
TO E-SWITCH AND IS NOT TO BE COPIED OR TRANSFERRED