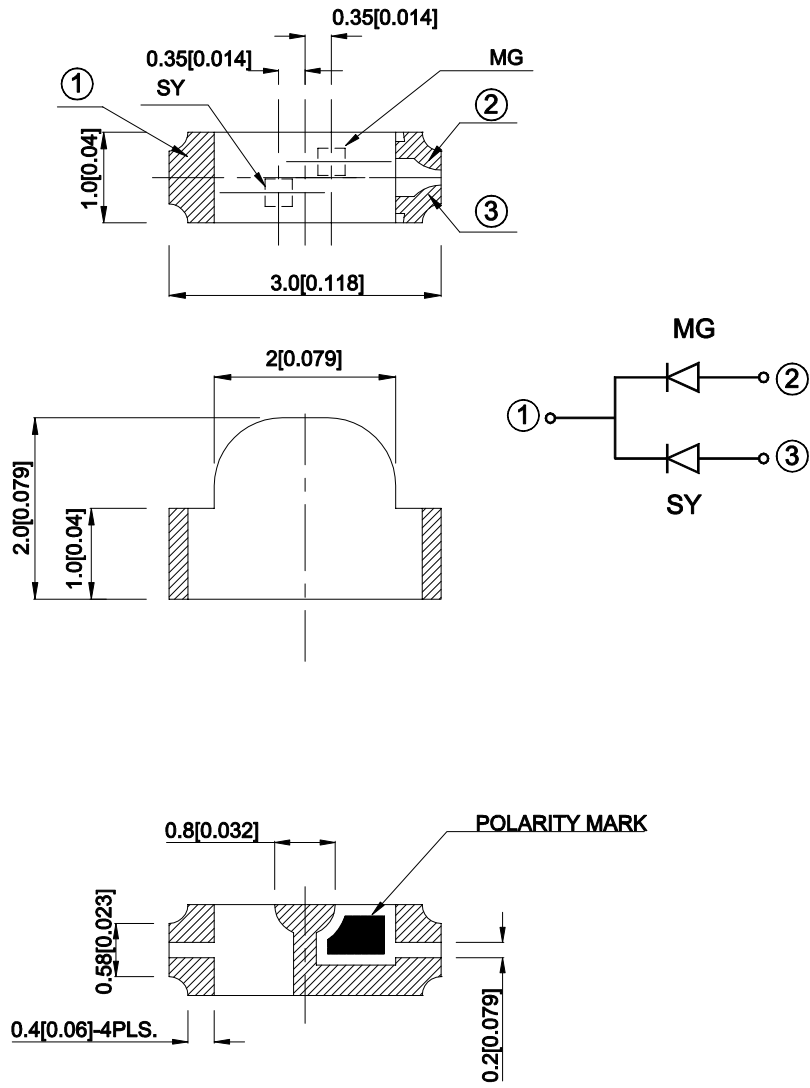


3.0X1.0mm(1104) RIGHT ANGLE BI-COLOR SMD CHIP LED



UNIT : MM[INCH]  
 TOLERANCE : ± 0.2[± 0.0079] UNLESS OTHERWISE NOTED

**Selection Guide**

Part No.	Dice	Lens Type	Iv (mcd) @20mA		Viewing Angle
			Min.	Typ.	2θ 1/2
APBA3010MGSYW01	MEGA BRIGHT GREEN(InGaAlP)	WHITE DIFFUSED	40	60	140°
	SUPER BRIGHT YELLOW(InGaAlP)		50	100	

APPROVED: J.Lu	CHECKED: J.Chao	DRAWN : L.N. Sheu	SCALE : 10 : 1	DATA NO. : F9436 DATE : OCT/30/2000	V.1
-------------------	--------------------	----------------------	-------------------	--	-----