

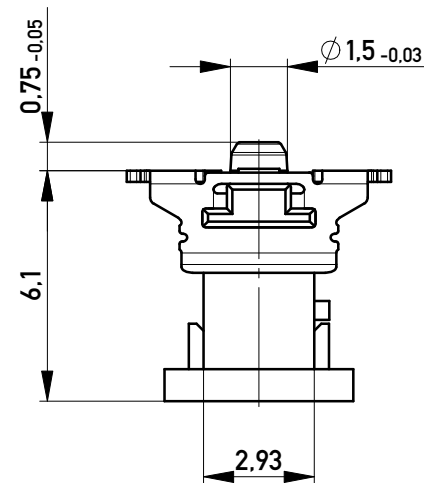
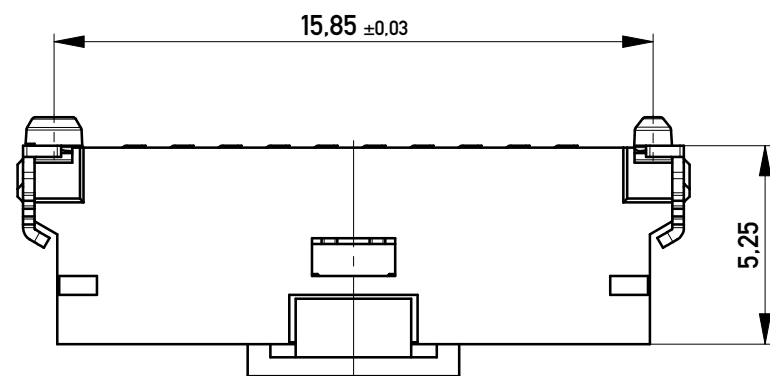
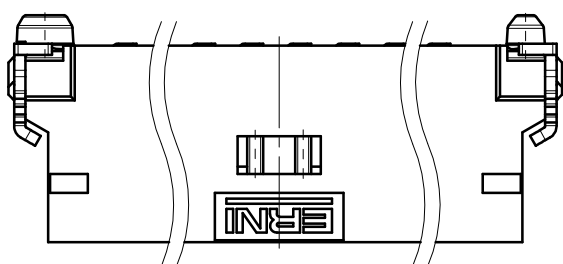
Anforderungsstufe 1  
Performance Level 1

Kontaktbereich vergoldet  
Mating Area gold plating

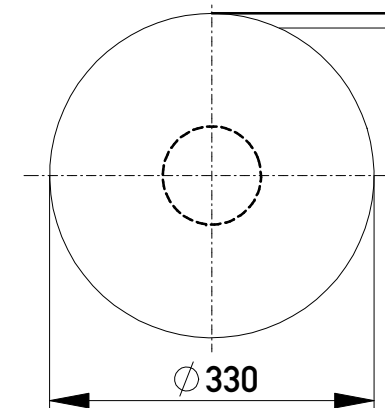
Anschlussbereich verzinkt 4-6 µm  
Terminal Area 4-6 µm tin plating

Koplanarität der Anschlüsse ≤ 0.1 mm  
Coplanarity Area of Termination ≤ 0.1 mm

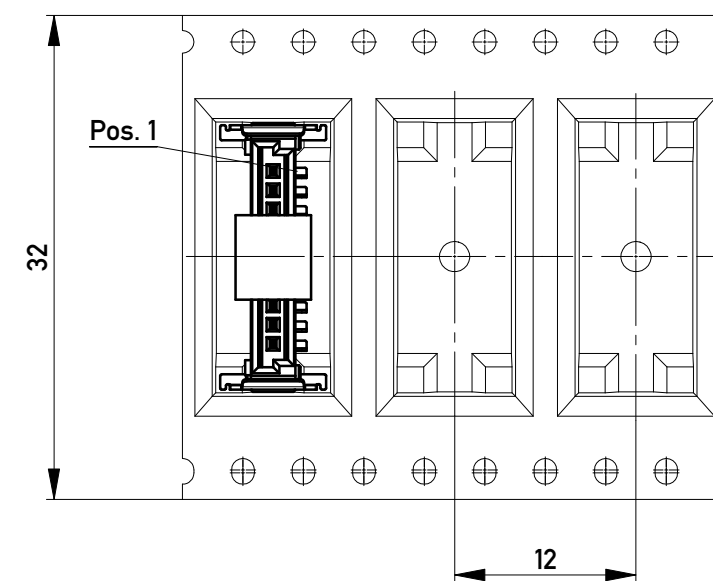
ohne Ansaughaube - without hood



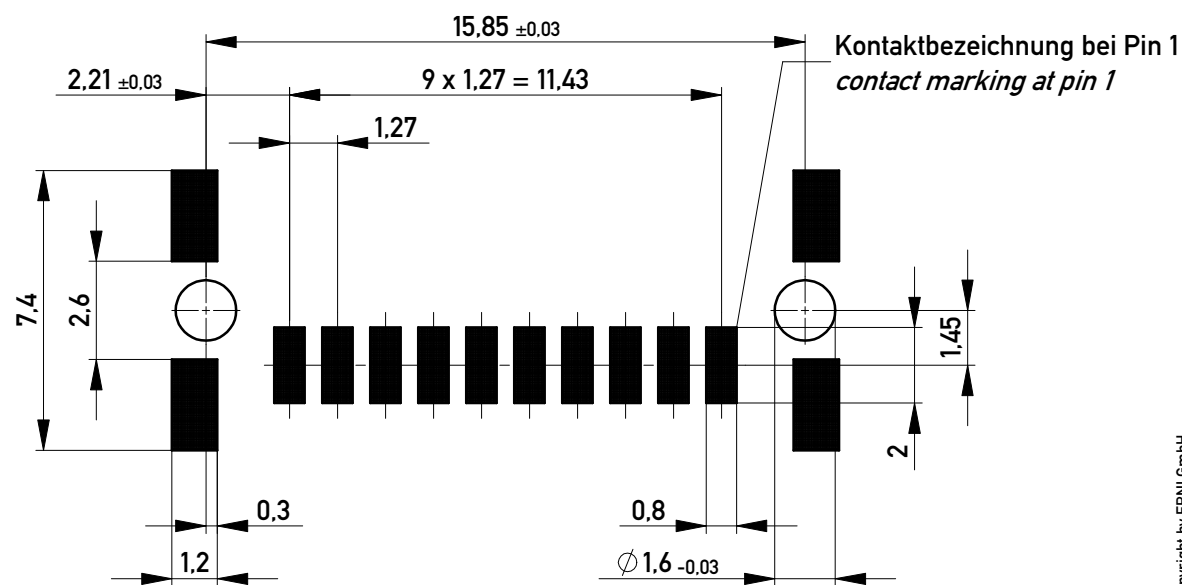
Verpackt in Gurtverpackung  
Tape on Reel Packaging  
Verpackungseinheit: 650 Stück  
Packaging unit: 650 pcs



Abspulrichtung - Reel off Direction



Leiterplatten-Layout für SMT  
PCB-Layout for SMT



Information: vergrößerte Löt pads - enlarged solder pads	Tolerances	 All Dimensions in mm	Scale	5:1
	All rights reserved. Only for Information. To ensure that this is the latest version of this drawing, please contact one of the ERNI companies before using.		Subject to modification without prior notice. Drawing will not be updated.	Designation <b>M 1,27 SRC P, 10-polig BA1</b>
Copyright by ERNI GmbH Proprietary notice pursuant to ISO 16016 to be observed.	 www.ERNI.com	<b>100203070001</b>	K	A3
b	14.02.2013		Class	SRCP
Index	Date			