

# TC74LCX541F, TC74LCX541FW, TC74LCX541FT

## Low-Voltage Octal Bus Buffer with 5-V Tolerant Inputs and Outputs

The TC74LCX541F/FW/FT is a high-performance CMOS octal bus buffer. Designed for use in 3.3-V systems, it achieves high-speed operation while maintaining the CMOS low power dissipation.

The device is designed for low-voltage (3.3 V) VCC applications, but it could be used to interface to 5 V supply environment for both inputs and outputs.

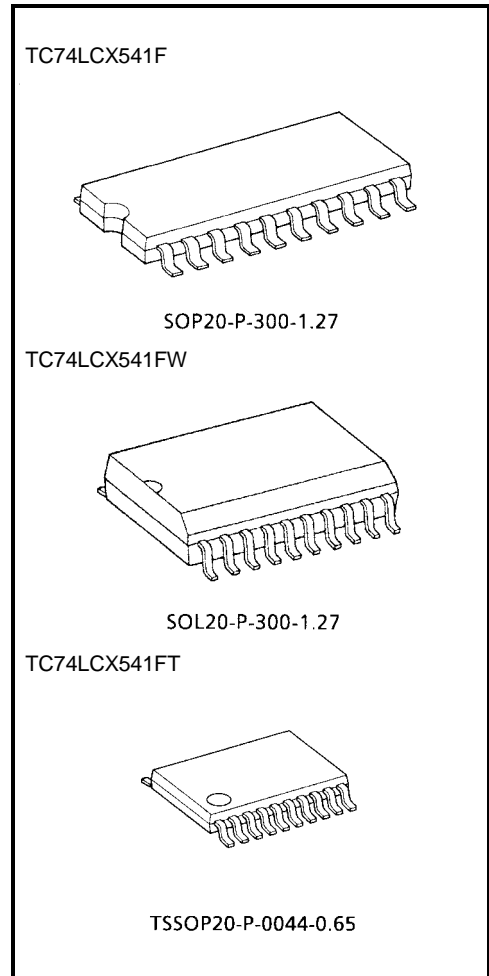
The TC74LCX541F/FW/FT is a non-inverting 3-state buffer having two active-low output enables. When either OE1 or OE2 are high, the terminal outputs are in the high-impedance state. This device is designed to be used with 3-state memory address drivers, etc.

All inputs are equipped with protection circuits against static discharge.

### Features

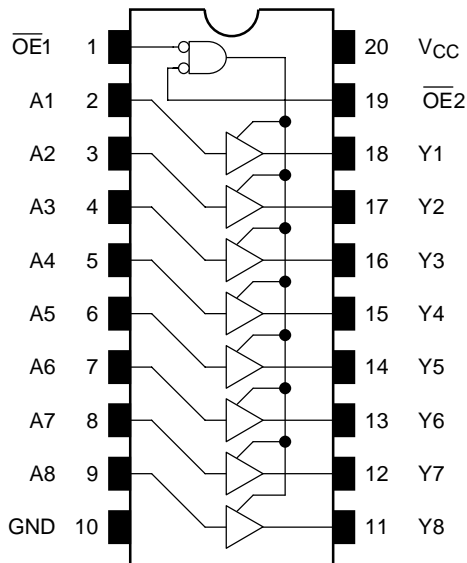
- Low-voltage operation:  $V_{CC} = 2.0$  to  $3.6$  V
- High-speed operation:  $t_{pd} = 6.5$  ns (max) ( $V_{CC} = 3.0$  to  $3.6$  V)
- Output current:  $|I_{OH}|/I_{OL} = 24$  mA (min) ( $V_{CC} = 3.0$  V)
- Latch-up performance:  $\pm 500$  mA
- Available in JEDEC SOP, JEITA SOP and TSSOP
- Power-down protection provided on all inputs and outputs
- Pin and function compatible with the 74 series (74AC/VHC/HC/F/ALS/LS etc.) 541 type

Note: xxxFW (JEDEC SOP) is not available in Japan.

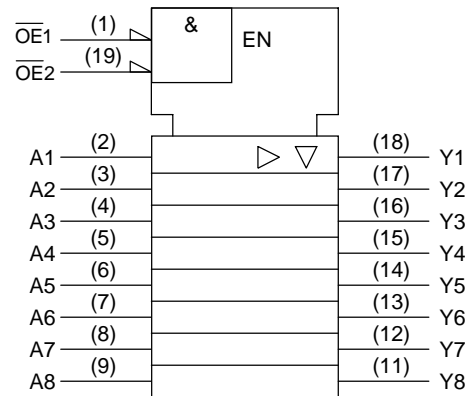


Weight  
 SOP20-P-300-1.27: 0.22 g (typ.)  
 SOL20-P-300-1.27: 0.46 g (typ.)  
 TSSOP20-P-0044-0.65: 0.08 g (typ.)

## Pin Assignment (top view)



## IEC Logic Symbol



## Truth Table

Inputs			Outputs
$\overline{OE1}$	$\overline{OE2}$	$A_n$	
H	X	X	Z
X	H	X	Z
L	L	H	H
L	L	L	L

X: Don't care

Z: High impedance

## Maximum Ratings

Characteristics	Symbol	Rating	Unit
Power supply voltage	$V_{CC}$	-0.5 to 7.0	V
DC input voltage	$V_{IN}$	-0.5 to 7.0	V
DC output voltage	$V_{OUT}$	-0.5 to 7.0 (Note 1)	V
		-0.5 to $V_{CC} + 0.5$ (Note 2)	
Input diode current	$I_{IK}$	-50	mA
Output diode current	$I_{OK}$	$\pm 50$ (Note 3)	mA
DC output current	$I_{OUT}$	$\pm 50$	mA
Power dissipation	$P_D$	180	mW
DC $V_{CC}$ /ground current	$I_{CC}/I_{GND}$	$\pm 100$	mA
Storage temperature	$T_{stg}$	-65 to 150	$^{\circ}C$

Note 1: Output in OFF state

Note 2: High or low state.  $I_{OUT}$  absolute maximum rating must be observed.

Note 3:  $V_{OUT} < GND$ ,  $V_{OUT} > V_{CC}$

## Recommended Operating Conditions

Characteristics	Symbol	Rating	Unit
Power supply voltage	$V_{CC}$	2.0 to 3.6	V
		1.5 to 3.6 (Note 4)	
Input voltage	$V_{IN}$	0 to 5.5	V
Output voltage	$V_{OUT}$	0 to 5.5 (Note 5)	V
		0 to $V_{CC}$ (Note 6)	
Output current	$I_{OH}/I_{OL}$	$\pm 24$ (Note 7)	mA
		$\pm 12$ (Note 8)	
Operating temperature	$T_{opr}$	-40 to 85	°C
Input rise and fall time	dt/dv	0 to 10 (Note 9)	ns/V

Note 4: Data retention only

Note 5: Output in OFF state

Note 6: High or low state

Note 7:  $V_{CC} = 3.0$  to  $3.6$  V

Note 8:  $V_{CC} = 2.7$  to  $3.0$  V

Note 9:  $V_{IN} = 0.8$  to  $2.0$  V,  $V_{CC} = 3.0$  V

## Electrical Characteristics

### DC Characteristics ( $T_a = -40$ to $85^\circ\text{C}$ )

Characteristics		Symbol	Test Condition	$V_{CC}$ (V)	Min	Max	Unit	
Input voltage	H-level	$V_{IH}$	—	2.7 to 3.6	2.0	—	V	
	L-level	$V_{IL}$	—	2.7 to 3.6	—	0.8		
Output voltage	H-level	$V_{OH}$	$V_{IN} = V_{IH}$ or $V_{IL}$	$I_{OH} = -100 \mu\text{A}$	2.7 to 3.6	$V_{CC} - 0.2$	—	V
				$I_{OH} = -12 \text{ mA}$	2.7	2.2	—	
				$I_{OH} = -18 \text{ mA}$	3.0	2.4	—	
				$I_{OH} = -24 \text{ mA}$	3.0	2.2	—	
	L-level	$V_{OL}$	$V_{IN} = V_{IH}$ or $V_{IL}$	$I_{OL} = 100 \mu\text{A}$	2.7 to 3.6	—	0.2	
				$I_{OL} = 12 \text{ mA}$	2.7	—	0.4	
				$I_{OL} = 16 \text{ mA}$	3.0	—	0.4	
				$I_{OL} = 24 \text{ mA}$	3.0	—	0.55	
Input leakage current		$I_{IN}$	$V_{IN} = 0$ to $5.5$ V	2.7 to 3.6	—	$\pm 5.0$	$\mu\text{A}$	
3-state output off-state current		$I_{OZ}$	$V_{IN} = V_{IH}$ or $V_{IL}$ $V_{OUT} = 0$ to $5.5$ V	2.7 to 3.6	—	$\pm 5.0$	$\mu\text{A}$	
Power off leakage current		$I_{OFF}$	$V_{IN}/V_{OUT} = 5.5$ V	0	—	10.0	$\mu\text{A}$	
Quiescent supply current	$I_{CC}$	$V_{IN} = V_{CC}$ or GND	$V_{IN}/V_{OUT} = 3.6$ to $5.5$ V	2.7 to 3.6	—	10.0	$\mu\text{A}$	
				2.7 to 3.6	—	$\pm 10.0$		
Increase in $I_{CC}$ per input		$\Delta I_{CC}$	$V_{IH} = V_{CC} - 0.6$ V	2.7 to 3.6	—	500		

## AC Characteristics (Ta = -40 to 85°C)

Characteristics	Symbol	Test Condition	V <sub>CC</sub> (V)	Min	Max	Unit
Propagation delay time	t <sub>pLH</sub>	Figure 1, Figure 2	2.7	—	7.5	ns
	t <sub>pHL</sub>		3.3 ± 0.3	1.5	6.5	
Output enable time	t <sub>pZL</sub>	Figure 1, Figure 3	2.7	—	9.5	ns
	t <sub>pZH</sub>		3.3 ± 0.3	1.5	8.5	
Output disable time	t <sub>pLZ</sub>	Figure 1, Figure 3	2.7	—	8.5	ns
	t <sub>pHZ</sub>		3.3 ± 0.3	1.5	7.5	
Output to output skew	t <sub>osLH</sub>	(Note 10)	2.7	—	—	ns
	t <sub>osHL</sub>		3.3 ± 0.3	—	1.0	

Note 10: Parameter guaranteed by design.

$$(t_{osLH} = |t_{pLHm} - t_{pLHn}|, t_{osHL} = |t_{pHLm} - t_{pHLn}|)$$

## Dynamic Switching Characteristics

(Ta = 25°C, input: t<sub>r</sub> = t<sub>f</sub> = 2.5 ns, C<sub>L</sub> = 50 pF, R<sub>L</sub> = 500 Ω)

Characteristics	Symbol	Test Condition	V <sub>CC</sub> (V)	Typ.	Unit	
Quiet output maximum dynamic	V <sub>OL</sub>	V <sub>OLP</sub>	V <sub>IH</sub> = 3.3 V, V <sub>IL</sub> = 0 V	3.3	0.8	V
Quiet output minimum dynamic	V <sub>OL</sub>	V <sub>OLV</sub>	V <sub>IH</sub> = 3.3 V, V <sub>IL</sub> = 0 V	3.3	0.8	V

## Capacitive Characteristics (Ta = 25°C)

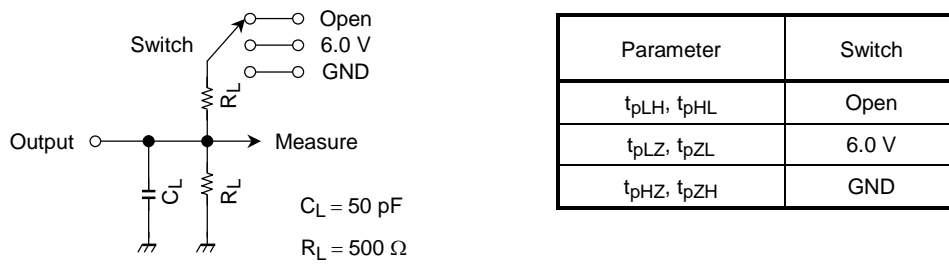
Characteristics	Symbol	Test Condition	V <sub>CC</sub> (V)	Typ.	Unit	
Input capacitance	C <sub>IN</sub>	—	3.3	7	pF	
Output capacitance	C <sub>OUT</sub>	—	3.3	8	pF	
Power dissipation capacitance	C <sub>PD</sub>	f <sub>IN</sub> = 10 MHz	(Note 11)	3.3	40	pF

Note 11: C<sub>PD</sub> is defined as the value of the internal equivalent capacitance which is calculated from the operating current consumption.

Average operating current can be obtained by the equation:

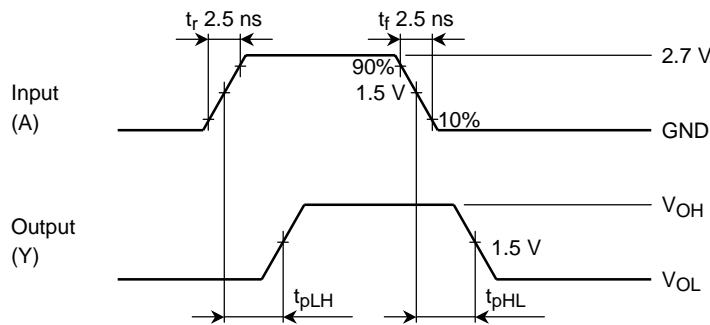
$$I_{CC(opr)} = C_{PD} \cdot V_{CC} \cdot f_{IN} + I_{CC}/8 \text{ (per bit)}$$

**AC Test Circuit**

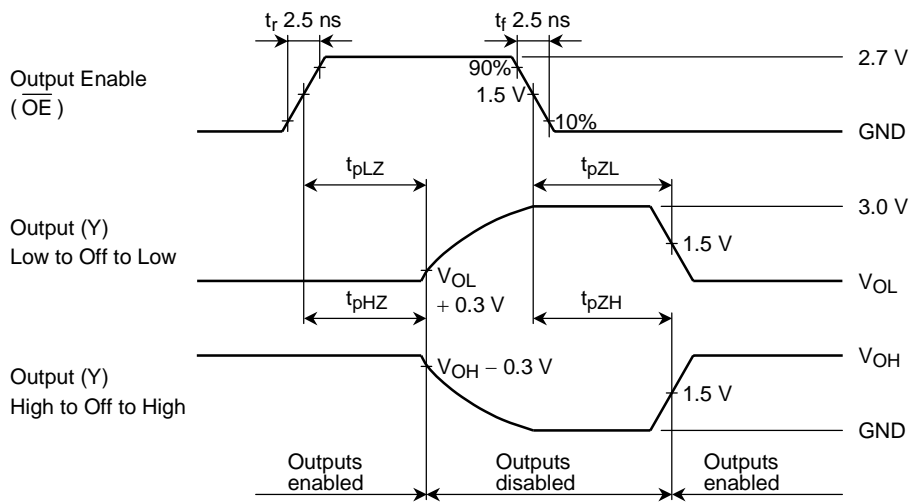


**Figure 1**

**AC Waveform**



**Figure 2  $t_{pLH}$ ,  $t_{pHL}$**

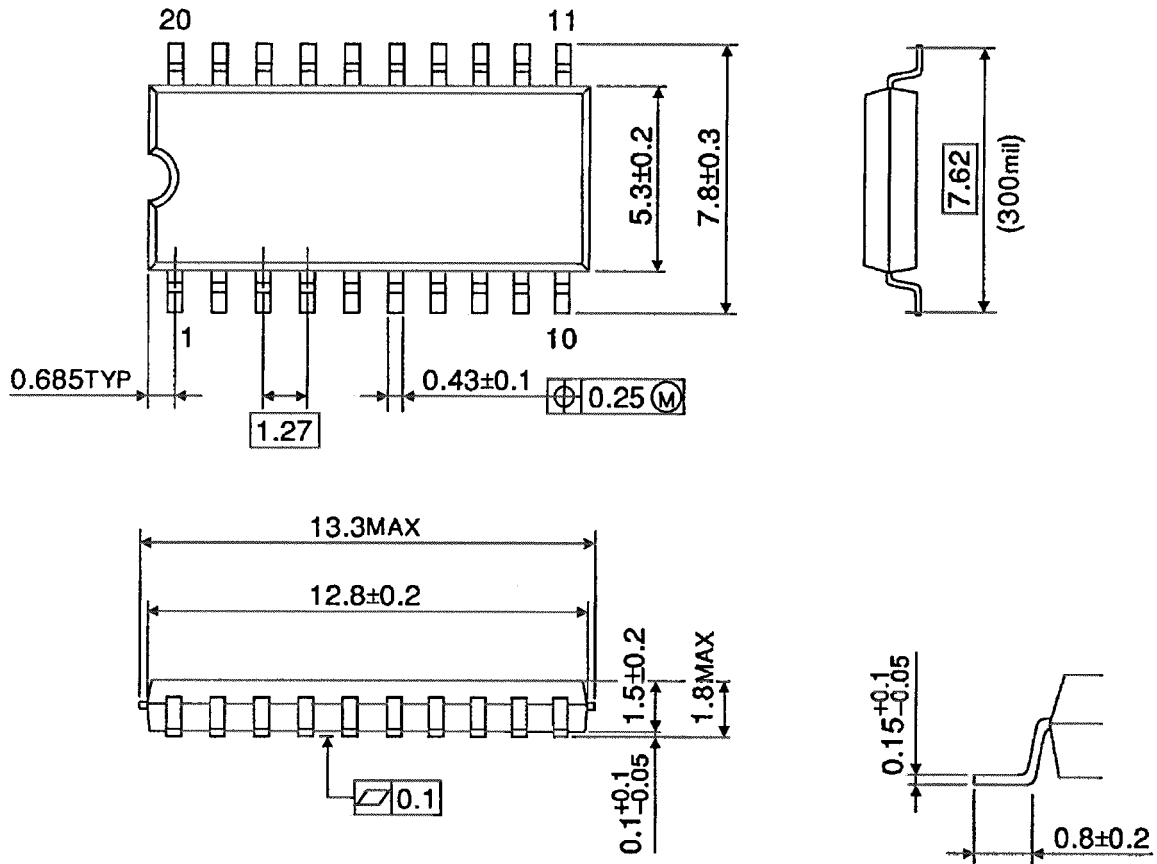


**Figure 3  $t_{pLZ}$ ,  $t_{pHZ}$ ,  $t_{pZL}$ ,  $t_{pZH}$**

**Package Dimensions**

SOP20-P-300-1.27

Unit : mm



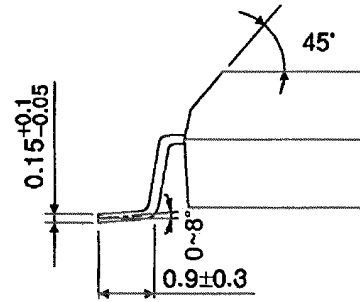
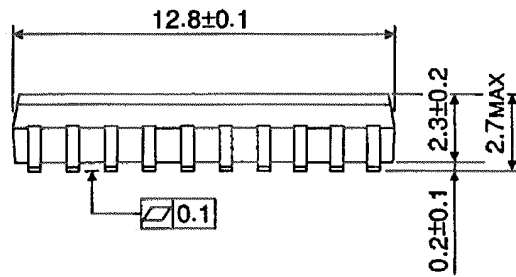
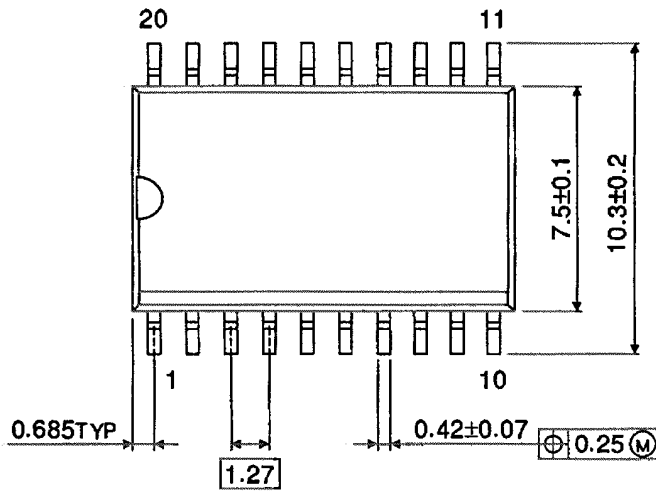
Weight: 0.22 g (typ.)

## Package Dimensions

SOL20-P-300-1.27

Unit : mm

Note: This package is not available in japan.

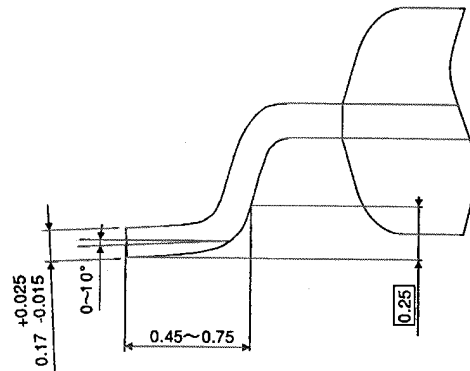
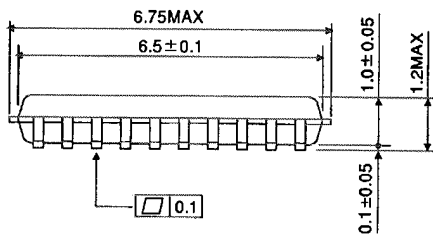
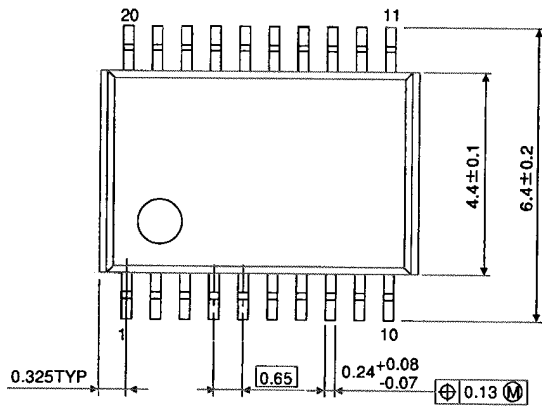


Weight: 0.46 g (typ.)

**Package Dimensions**

TSSOP20-P-0044-0.65

Unit : mm



Weight: 0.08 g (typ.)



**RESTRICTIONS ON PRODUCT USE**

000707EBA

- TOSHIBA is continually working to improve the quality and reliability of its products. Nevertheless, semiconductor devices in general can malfunction or fail due to their inherent electrical sensitivity and vulnerability to physical stress. It is the responsibility of the buyer, when utilizing TOSHIBA products, to comply with the standards of safety in making a safe design for the entire system, and to avoid situations in which a malfunction or failure of such TOSHIBA products could cause loss of human life, bodily injury or damage to property.  
In developing your designs, please ensure that TOSHIBA products are used within specified operating ranges as set forth in the most recent TOSHIBA products specifications. Also, please keep in mind the precautions and conditions set forth in the "Handling Guide for Semiconductor Devices," or "TOSHIBA Semiconductor Reliability Handbook" etc..
- The TOSHIBA products listed in this document are intended for usage in general electronics applications (computer, personal equipment, office equipment, measuring equipment, industrial robotics, domestic appliances, etc.). These TOSHIBA products are neither intended nor warranted for usage in equipment that requires extraordinarily high quality and/or reliability or a malfunction or failure of which may cause loss of human life or bodily injury ("Unintended Usage"). Unintended Usage include atomic energy control instruments, airplane or spaceship instruments, transportation instruments, traffic signal instruments, combustion control instruments, medical instruments, all types of safety devices, etc.. Unintended Usage of TOSHIBA products listed in this document shall be made at the customer's own risk.
- The products described in this document are subject to the foreign exchange and foreign trade laws.
- The information contained herein is presented only as a guide for the applications of our products. No responsibility is assumed by TOSHIBA CORPORATION for any infringements of intellectual property or other rights of the third parties which may result from its use. No license is granted by implication or otherwise under any intellectual property or other rights of TOSHIBA CORPORATION or others.
- The information contained herein is subject to change without notice.